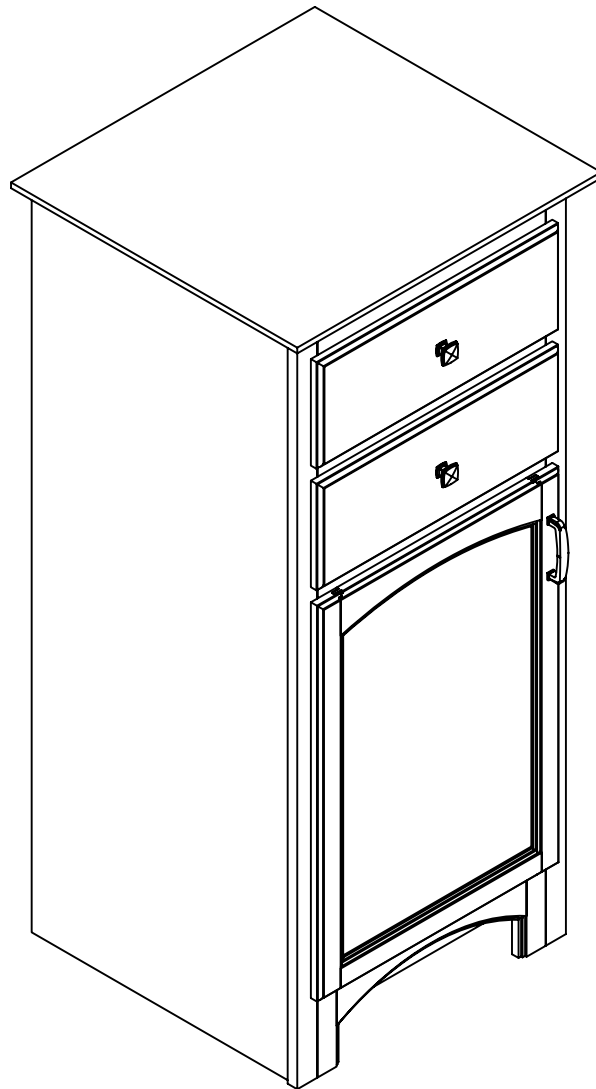




www.todaysdesignhouse.com

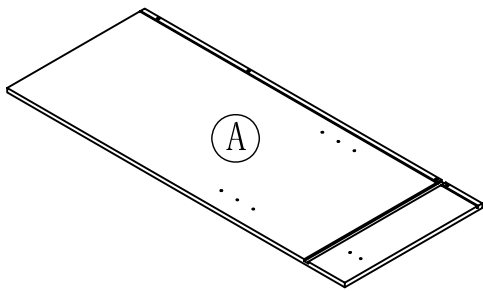


539429

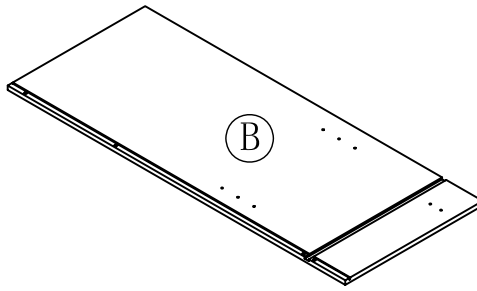
ASSEMBLY INSTRUCTIONS

DHI Corp. • 5205 W. Donges Bay Rd. • Mequon, WI 53092 • 800.558.8700

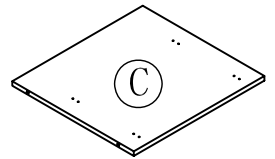
PARTS LIST:



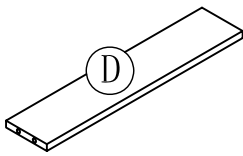
LEFT SIDE PANEL 1PC



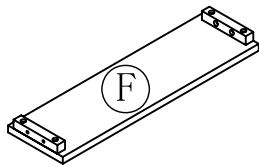
RIGHT SIDE PANEL 1PC



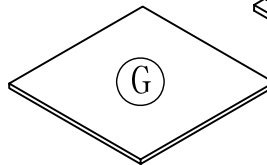
BACK UP CROSS BRACE 1PC



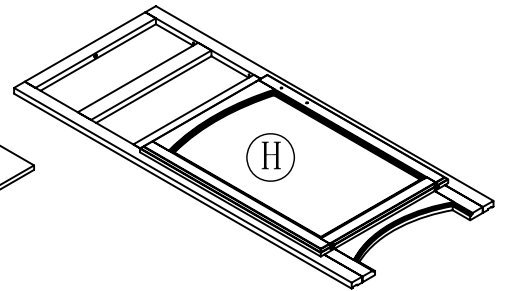
BACK DOWN CROSS BRACE 1PC



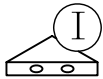
TOE KICK PANEL 1PC



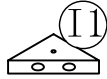
BOTTOM PANEL 1PC



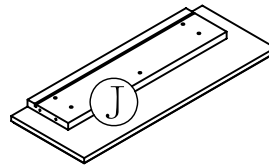
FRONT FRAME 1PC



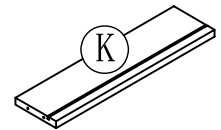
STRENGTH BLOCK (1) 4PCS



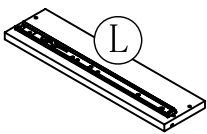
STRENGTH BLOCK (2) 4PCS



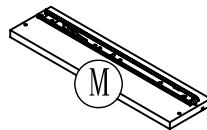
DRAWER FRONT PANEL 2PCS



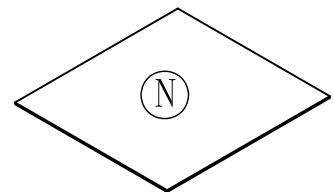
DRAWER BACK PANEL 2PCS



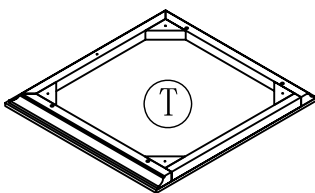
DRAWER LEFT SIDE PANEL 2PCS



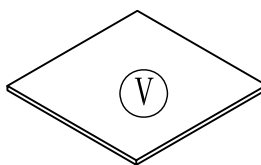
DRAWER RIGHT SIDE PANEL 2PCS



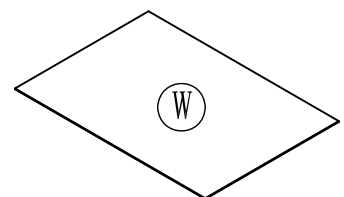
DRAWER BOTTOM PANEL 2PCS



TOP PANEL 1PC

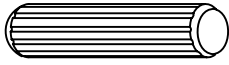


ADJUSTABLE PANEL 1PC



BACK PANEL 1PC

HARDWARE LIST:



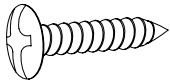
a. WOOD DOWEL 12PCS



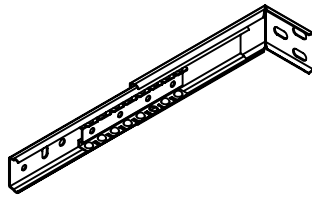
d. 1" L FLAT HEAD SCREW 21PCS



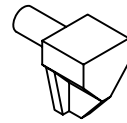
e. 1-1/2" L FLAT HEAD SCREW 20PCS



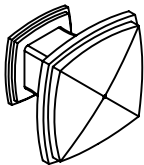
g. 1/2" L ROUND HEAD SCREW (FOR HINGE) 16PCS



i. DRAWER GUIDE 4PCS



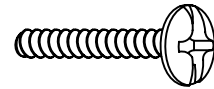
k. PIN 4PCS



l. KNOB 2PCS



m. HANDLE 1PC

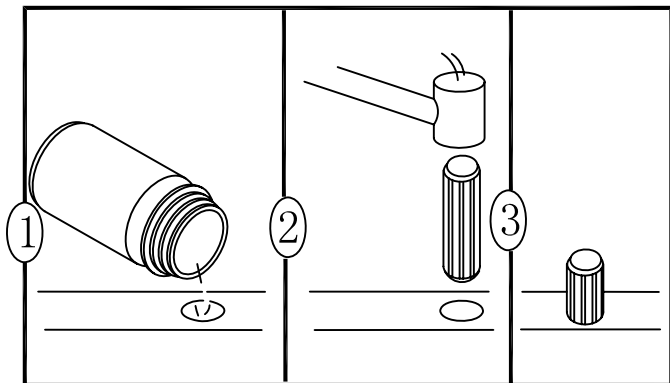
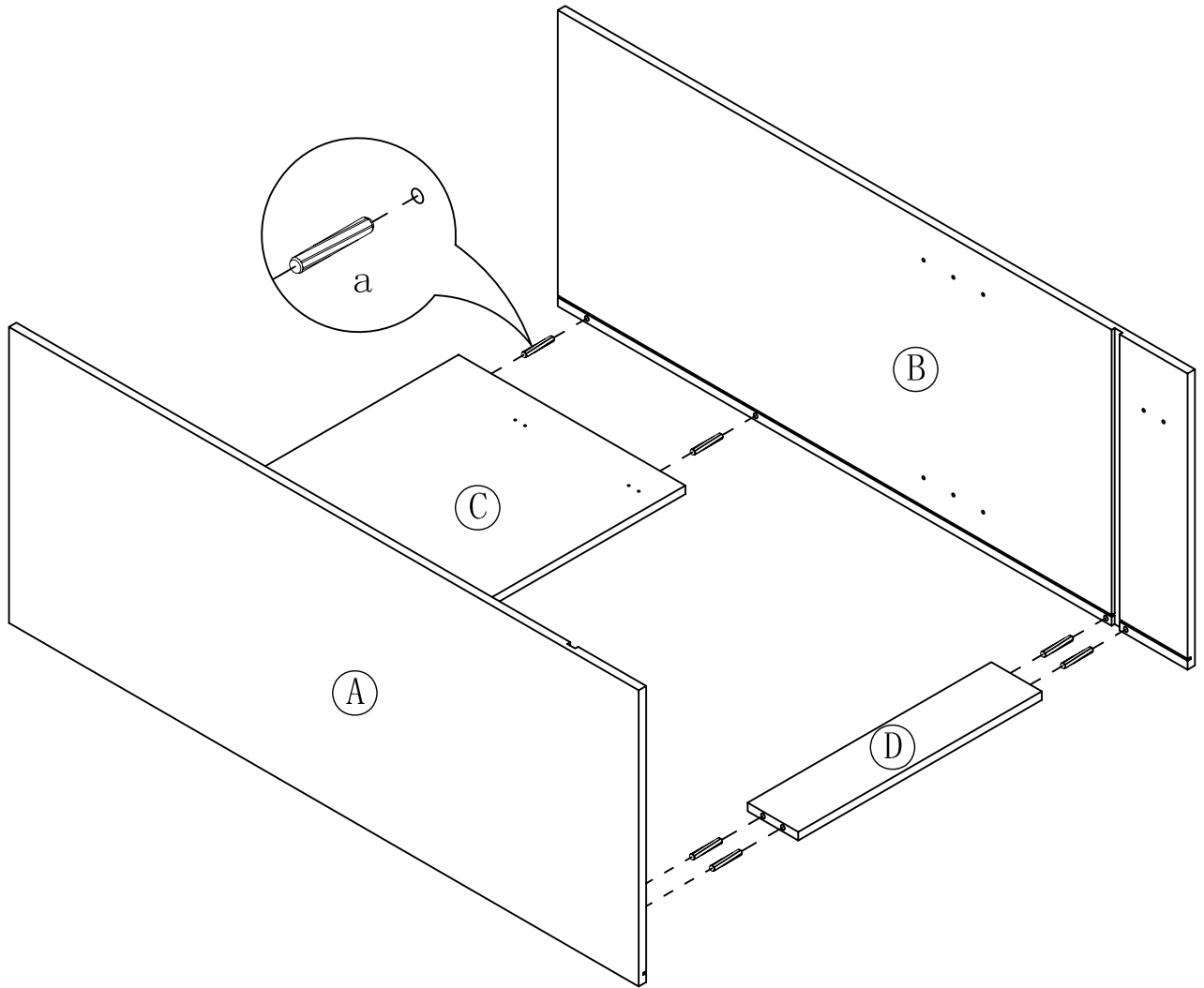


n. HANDLE (KNOB) BOLT 4PCS

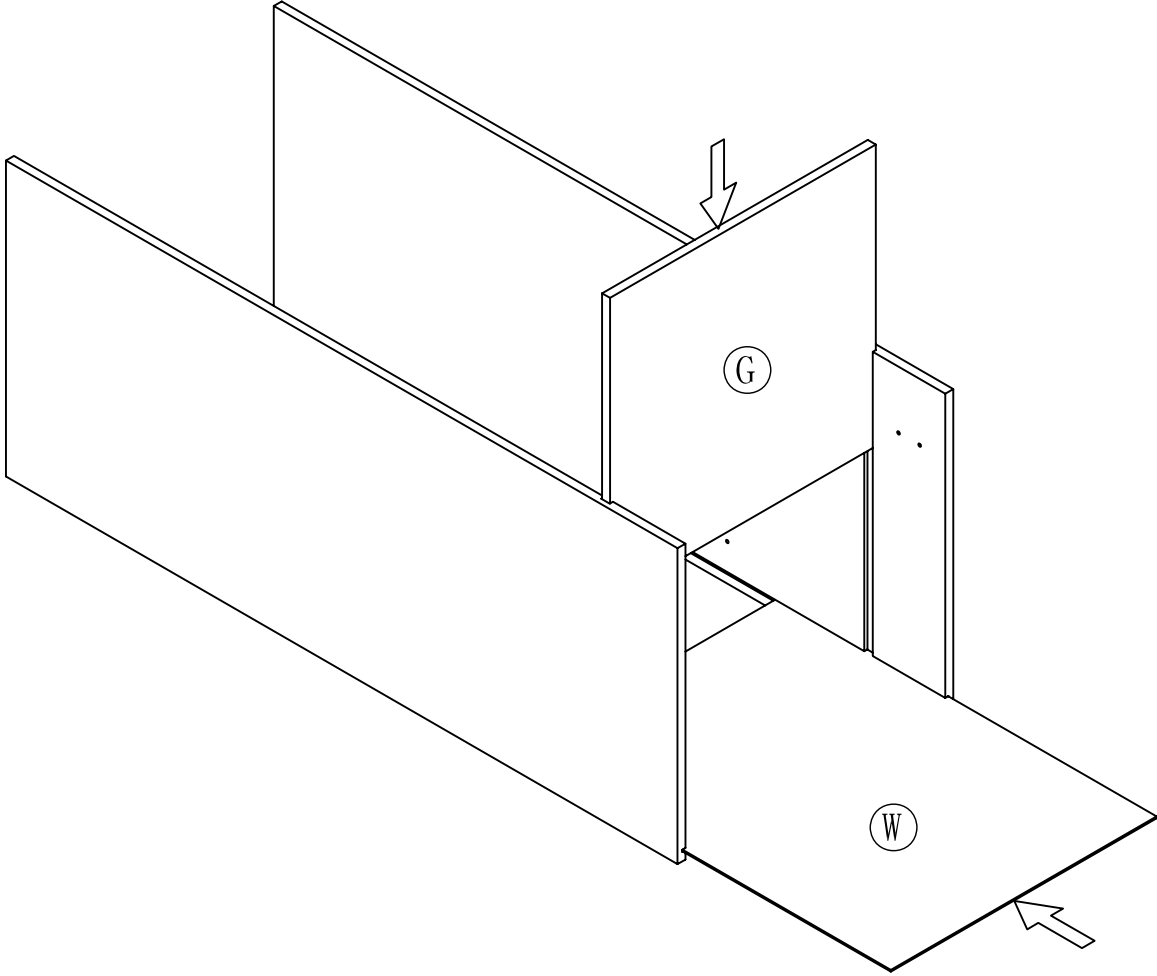


p. GLUE 1PC

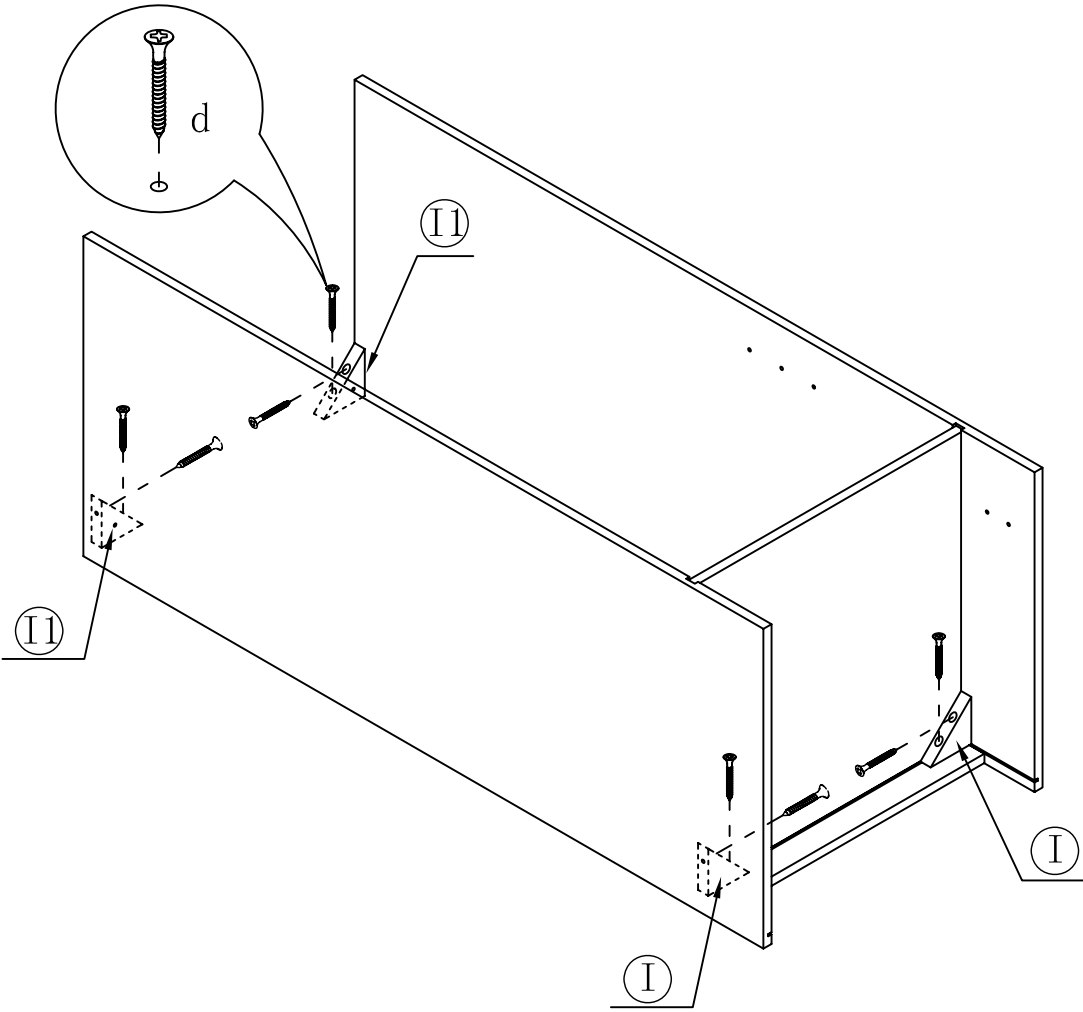
STEP 1



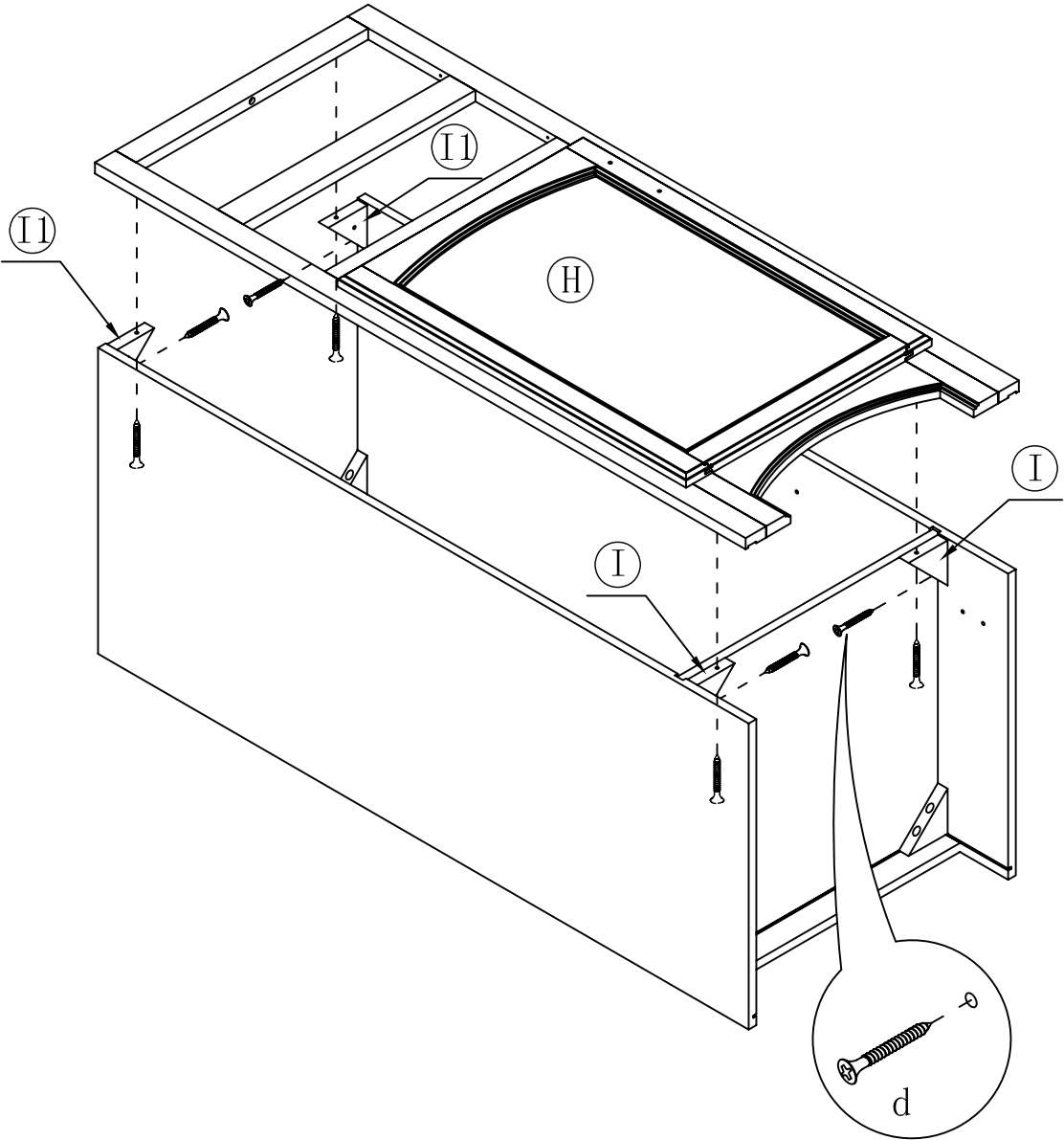
STEP 2



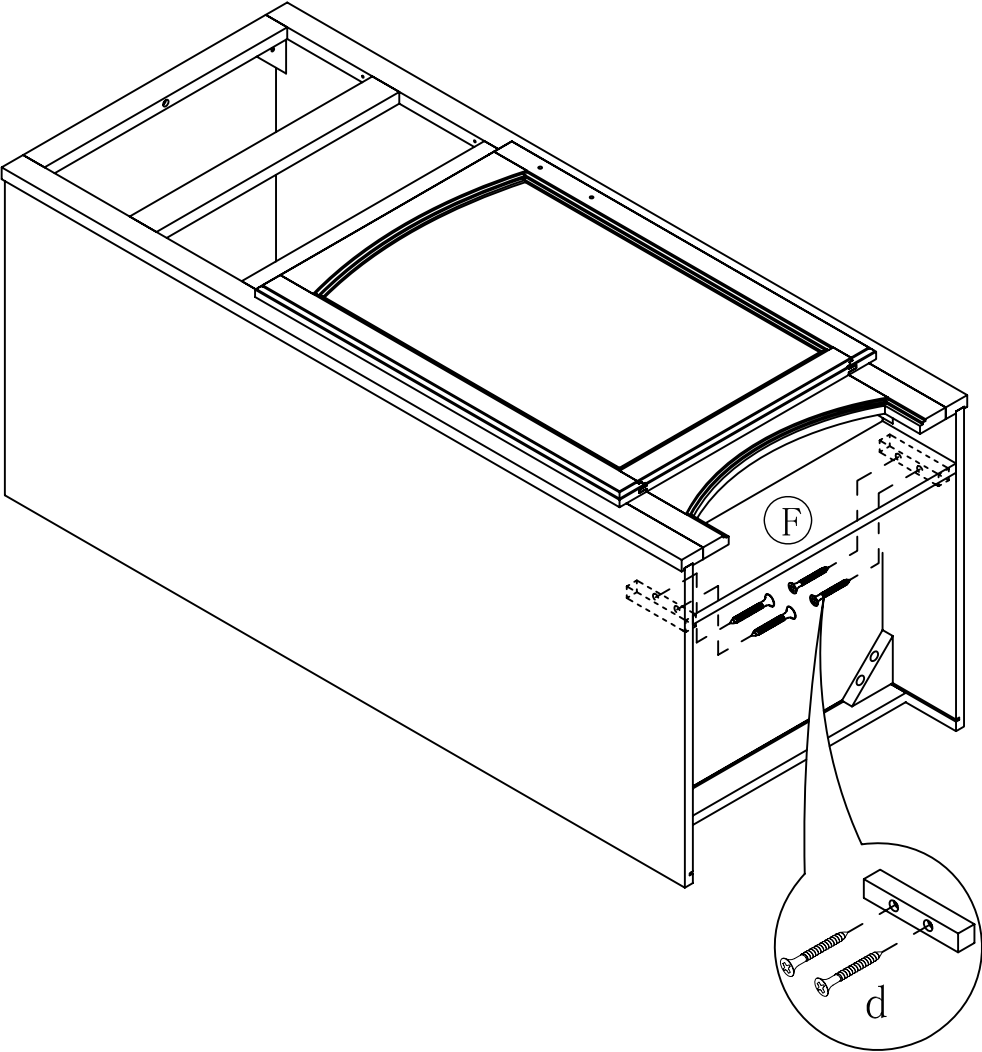
STEP 3



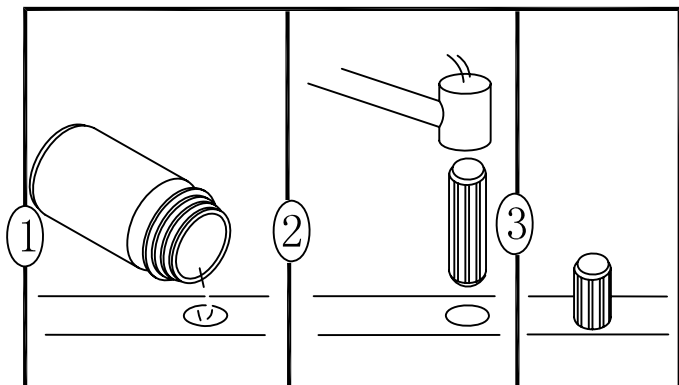
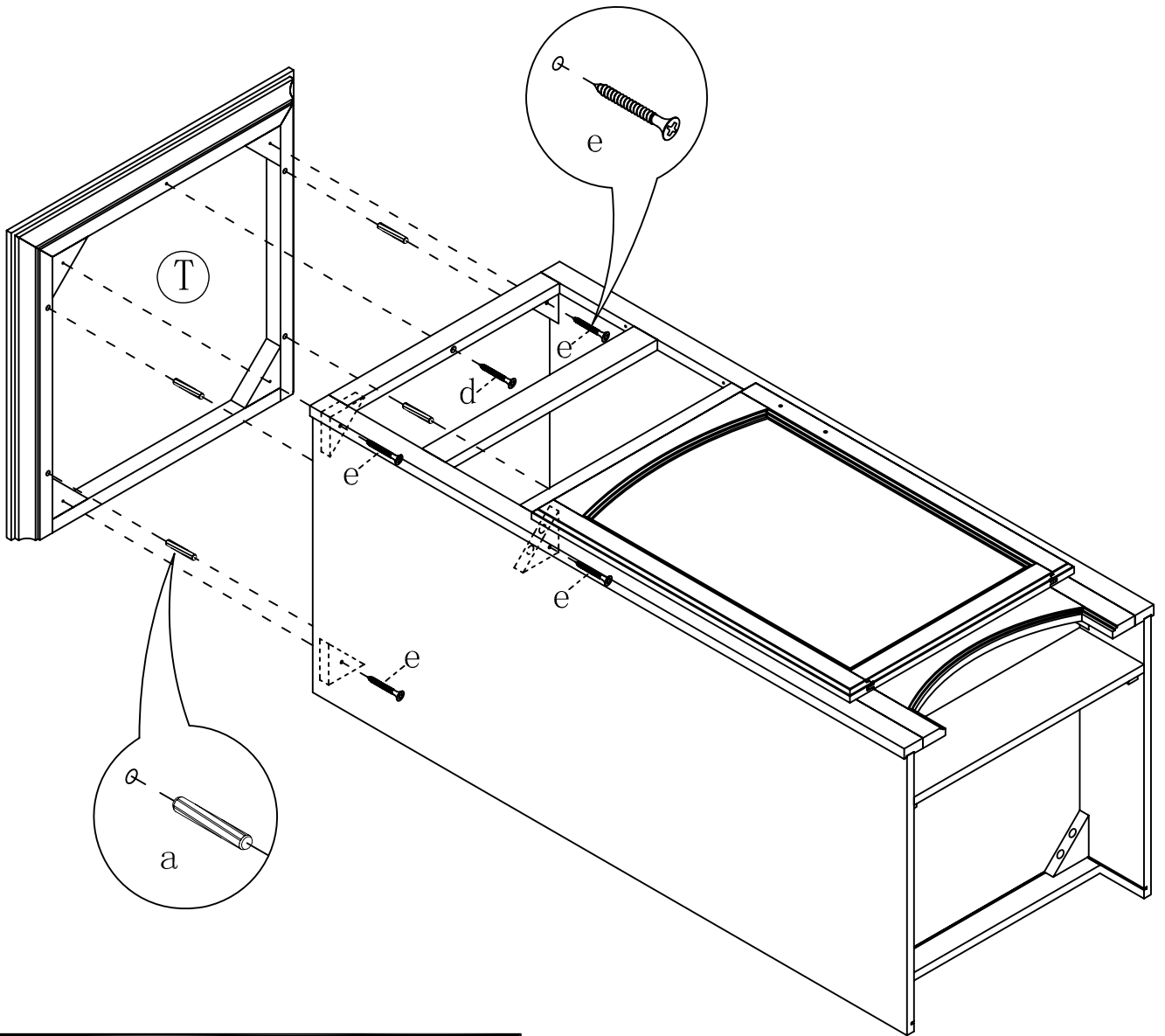
STEP 4



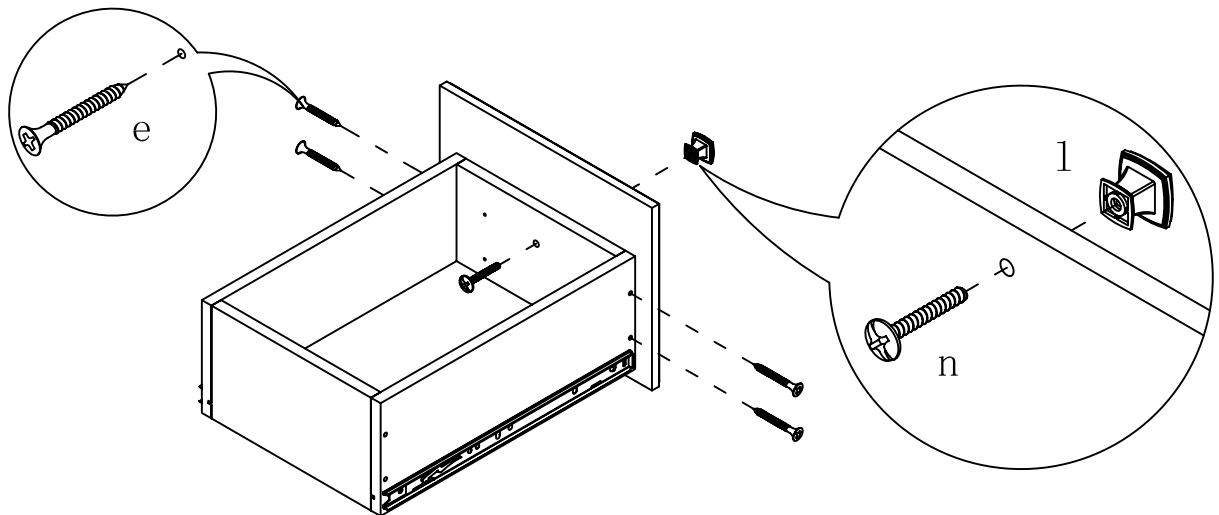
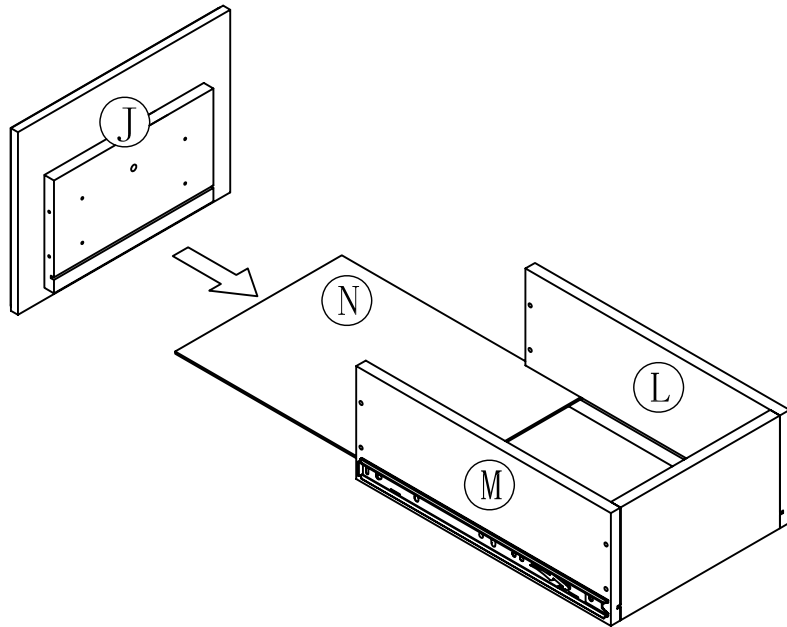
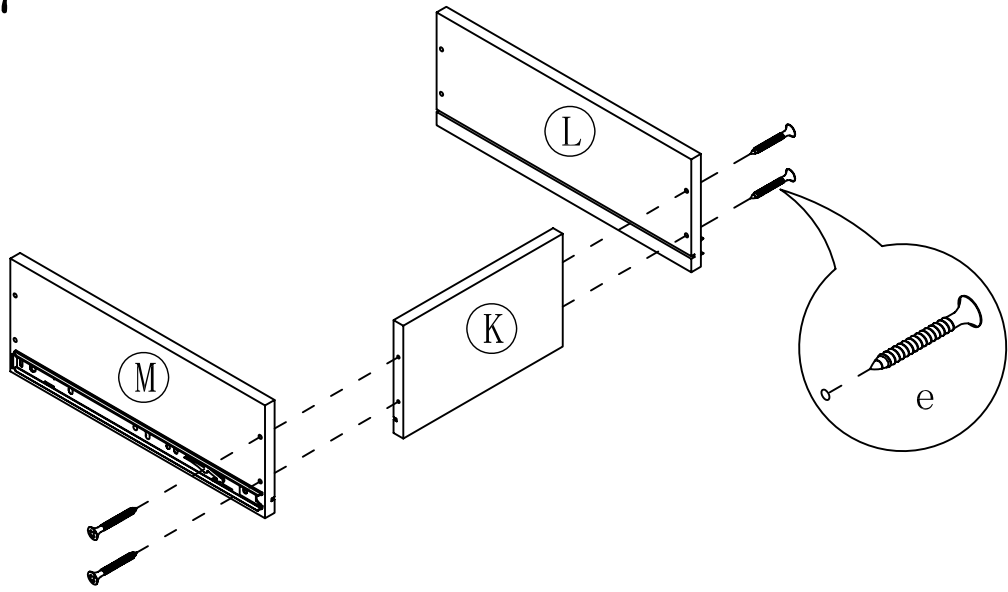
STEP 5



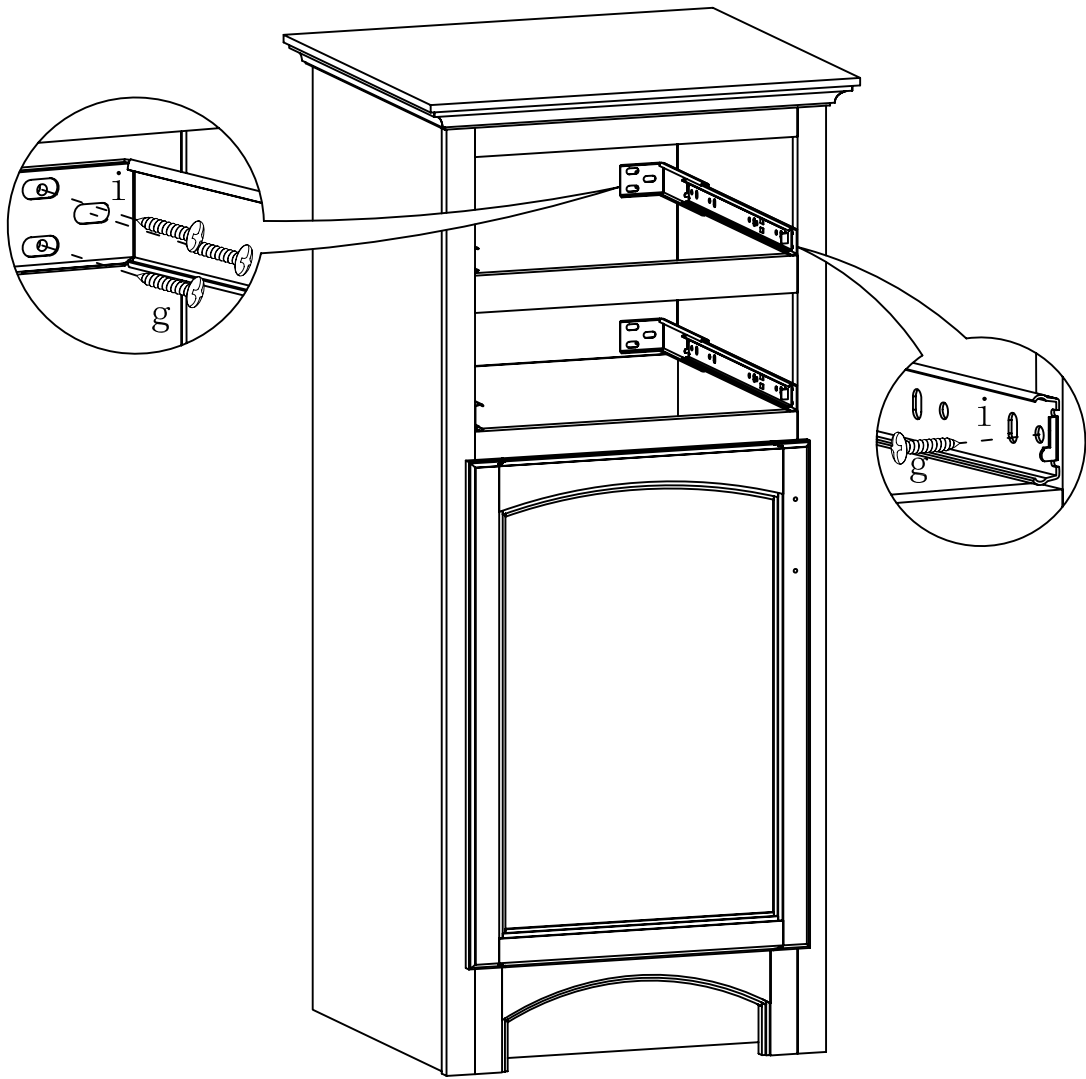
STEP 6



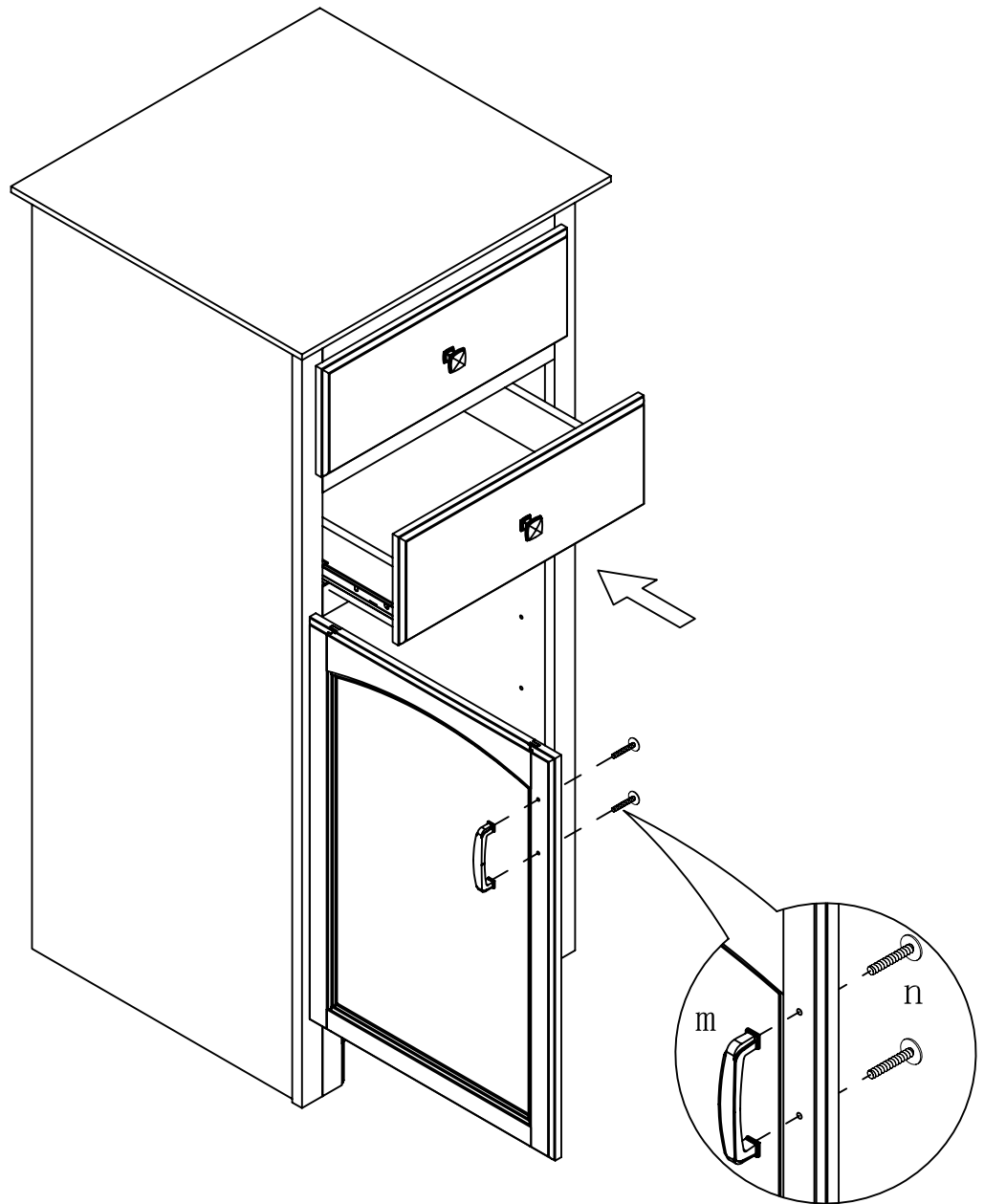
STEP 7



STEP 8



STEP 9



STEP 10

