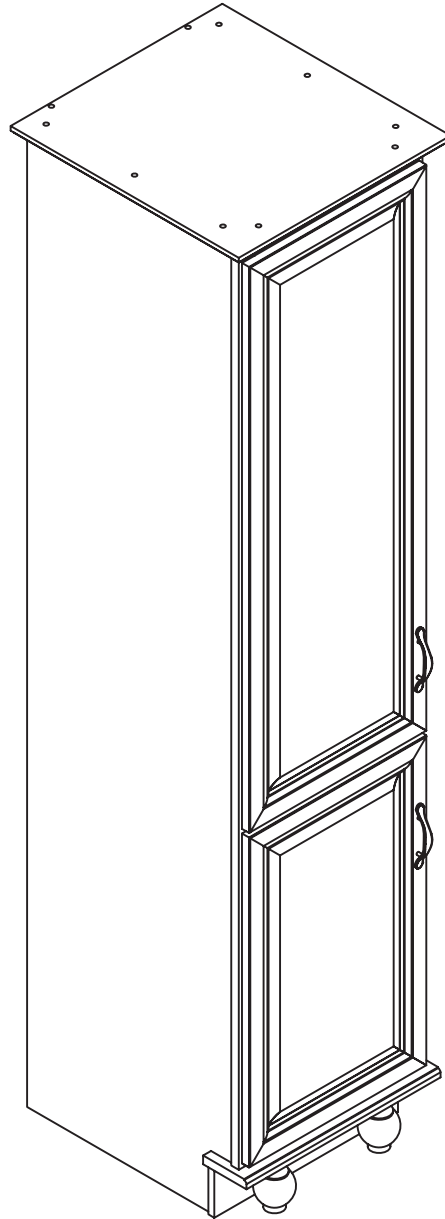




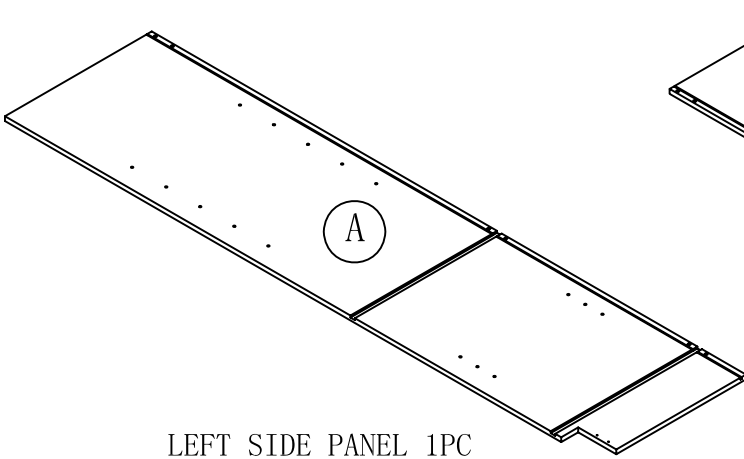
ADVANCED
GLOBAL COMMERCE



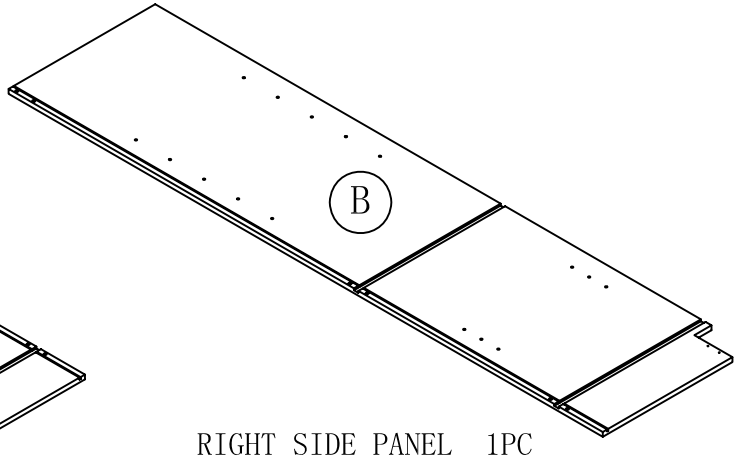
540765

ASSEMBLY INSTRUCTIONS

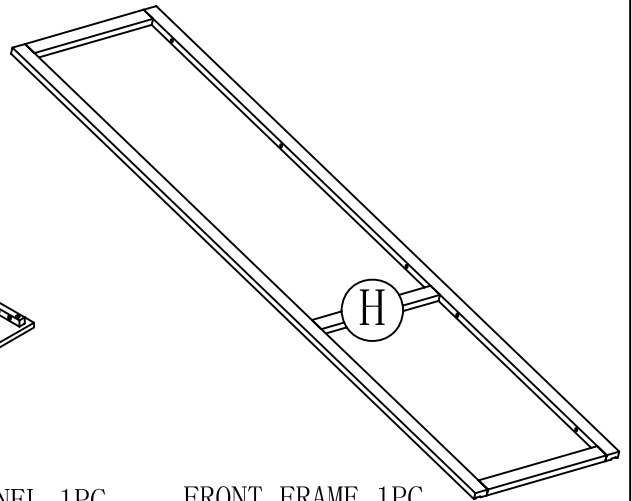
PARTS LIST:



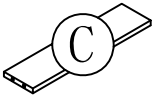
LEFT SIDE PANEL 1PC



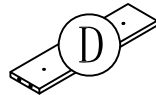
RIGHT SIDE PANEL 1PC



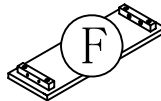
FRONT FRAME 1PC



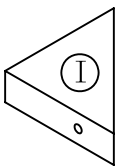
BACK UP CROSS BRACE 1PC



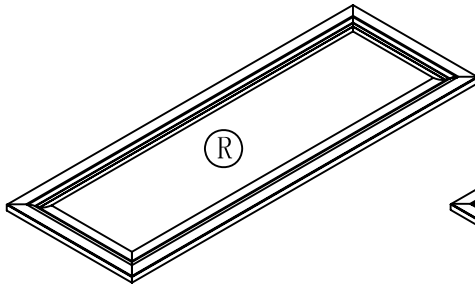
BACK DOWN CROSS BRACE 2PCS



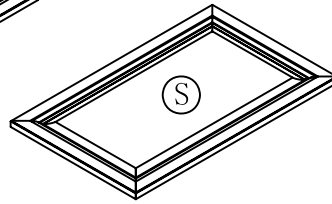
TOE KICK PANEL 1PC



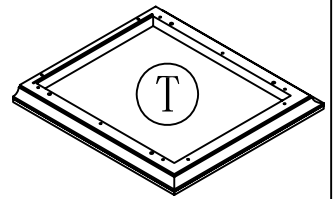
STRENGTH BLOCK 12PCS



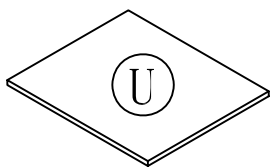
UP DOOR 1PC



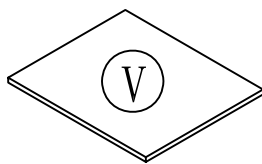
DOWN DOOR 1PC



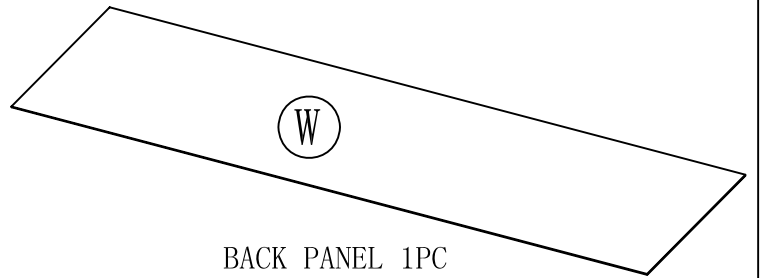
TOP PANEL 1PC



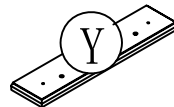
FIXED PANEL 2PCS



ADJUSTABLE PANEL 2PCS



BACK PANEL 1PC



FRONT CROSS BRACE 1PC



FOOT 2PCS

HARDWARE LIST:



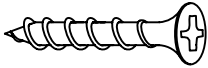
a. WOOD DOWEL 16PCS



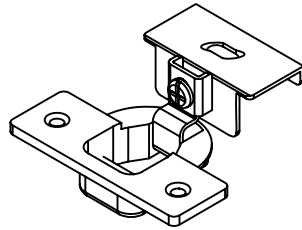
d. 1" L FLAT HEAD SCREW 30PCS



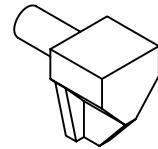
e. 1-1/2" L FLAT HEAD SCREW 16PCS



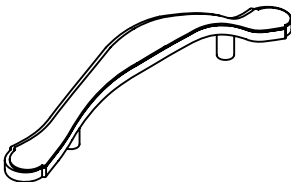
f. 5/8" L FLAT HEAD SCREW 15PCS



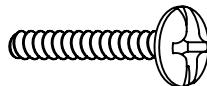
h. HINGE 5PCS



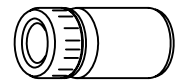
k. PIN 8PCS



m. HANDLE 2PCS



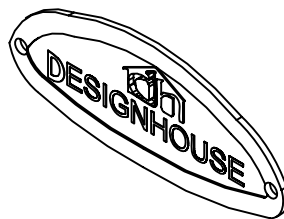
n. HANDLE BOLT 4PCS



p. GLUE 1PC

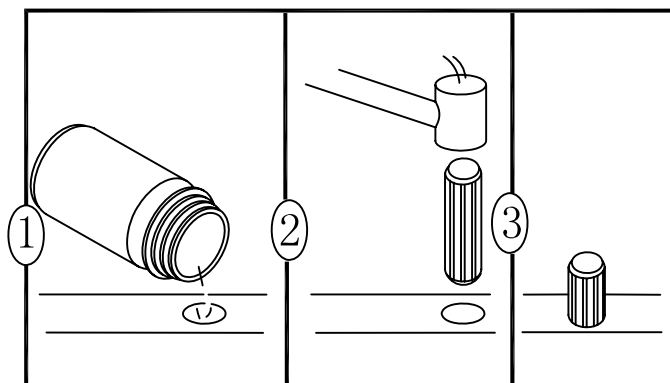
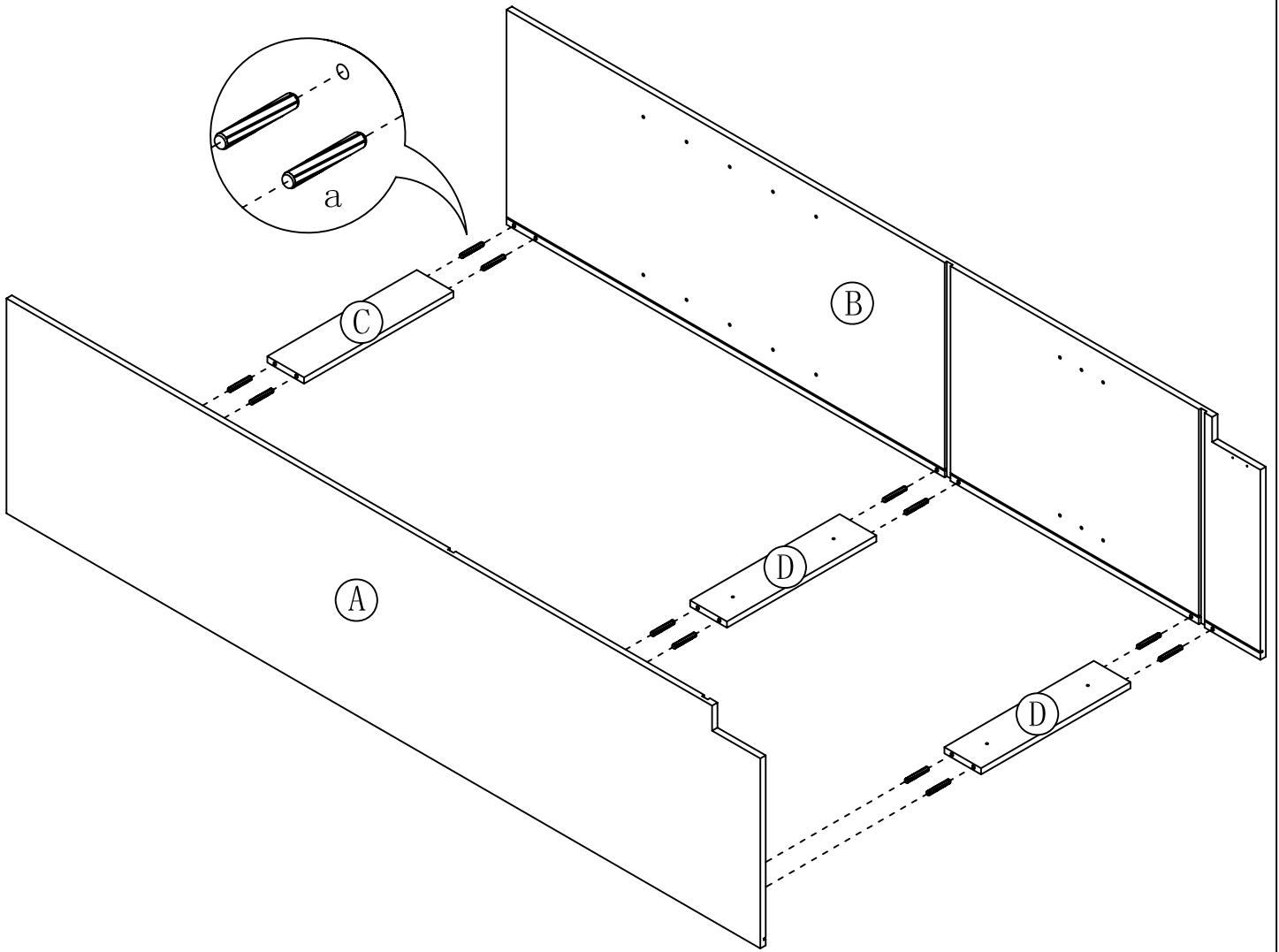


v. SMALL SCREW (FOR LOGO) 2PCS

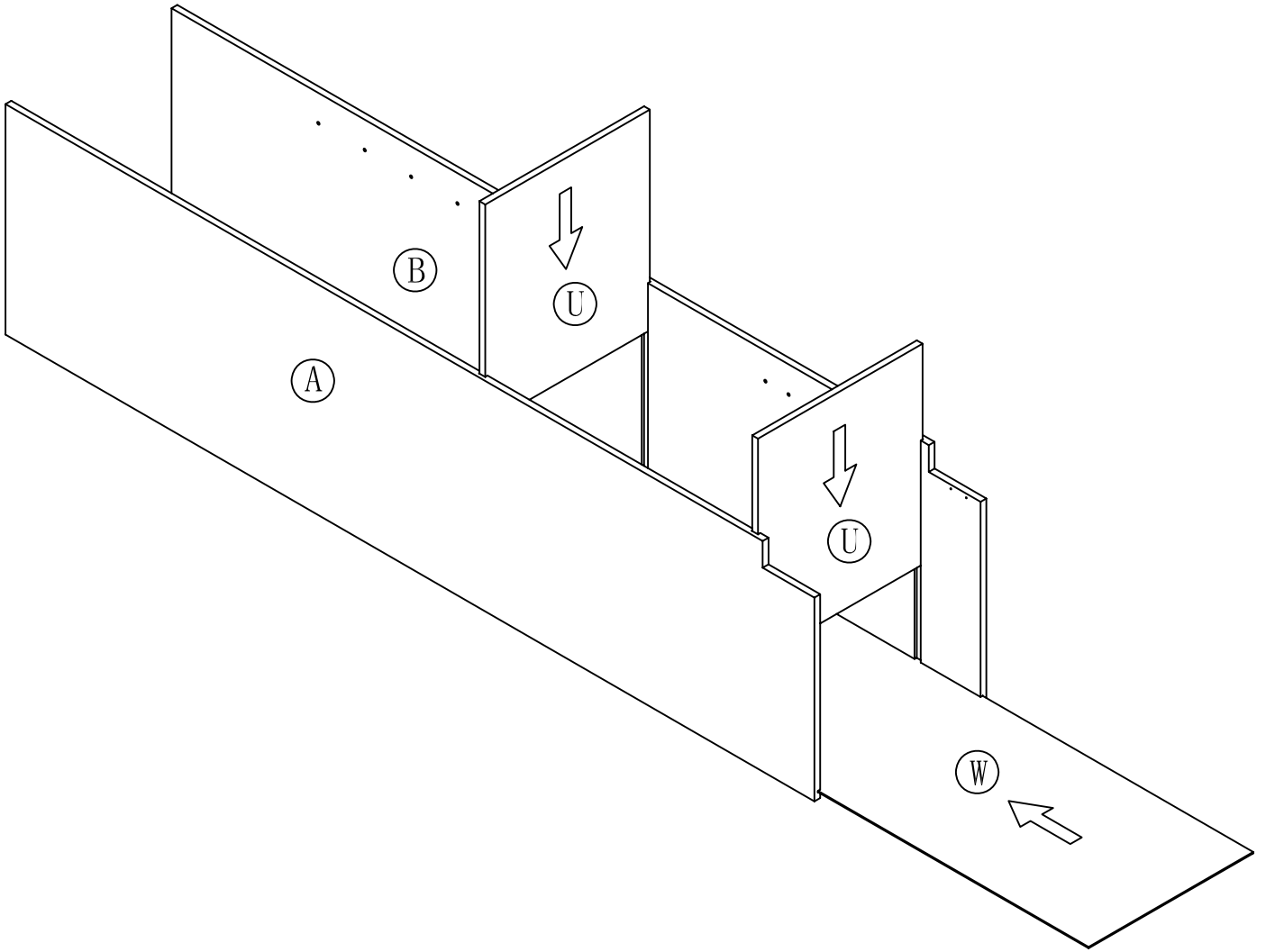


x. LOGO 1PC

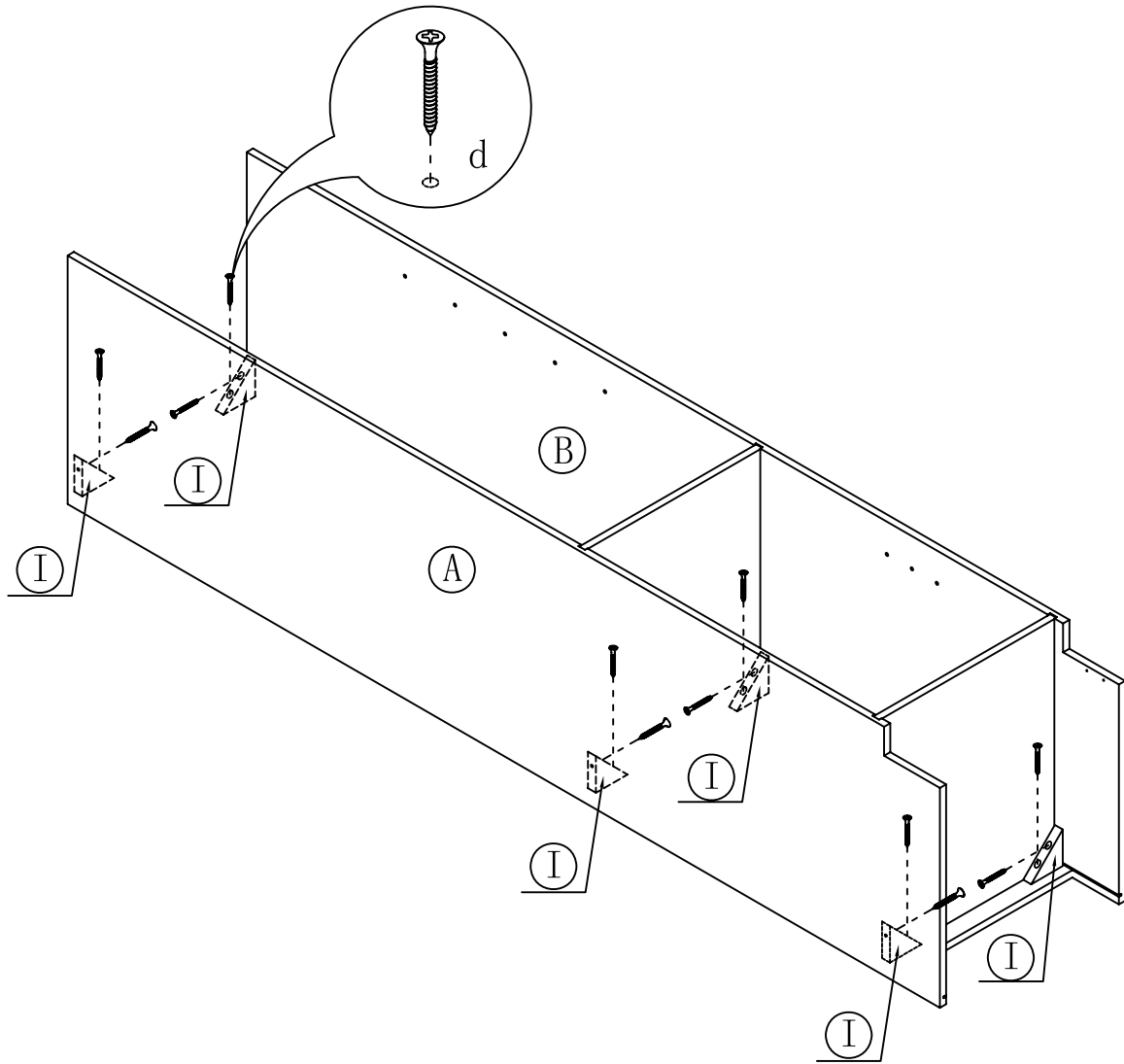
STEP 1



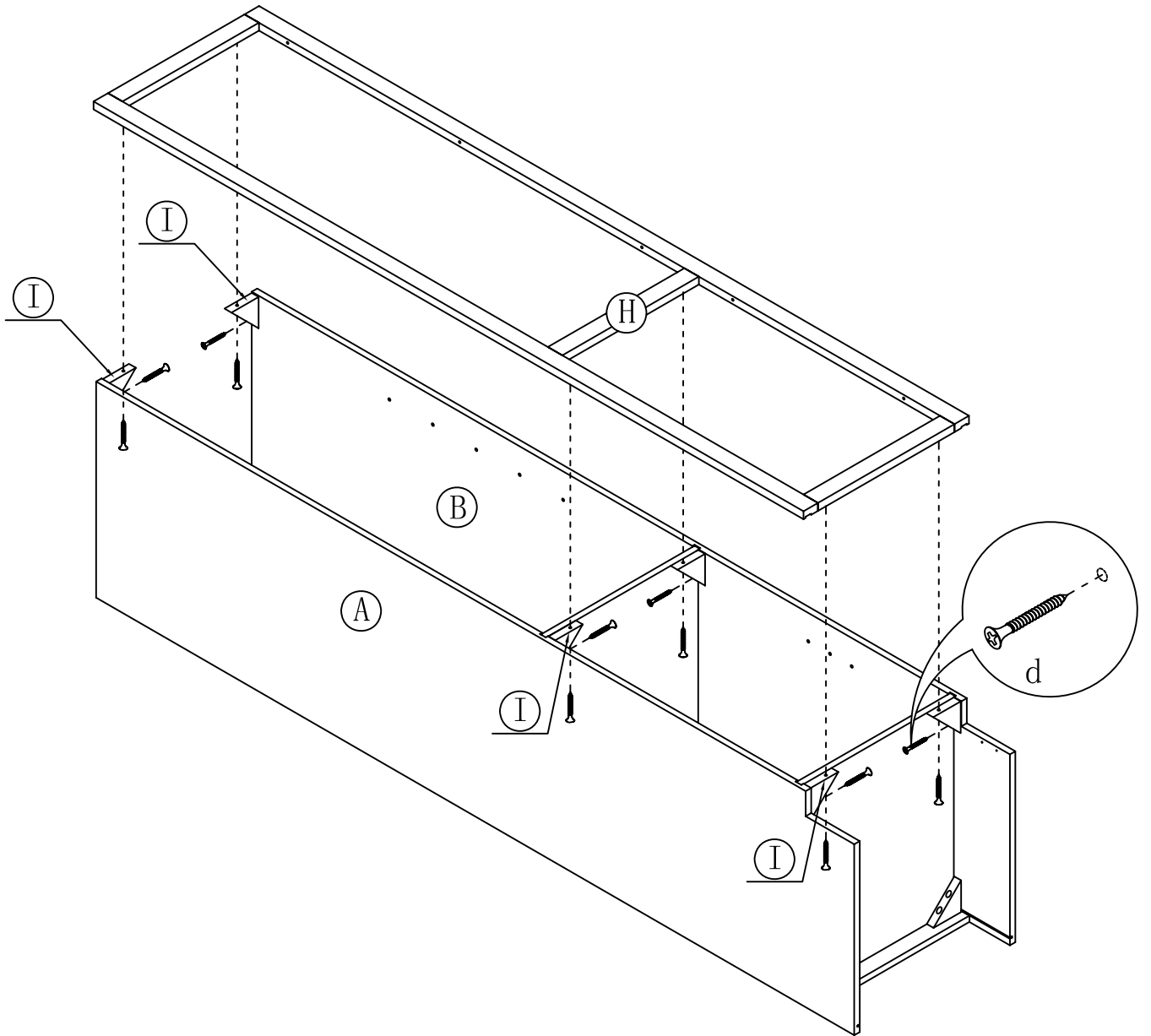
STEP 2



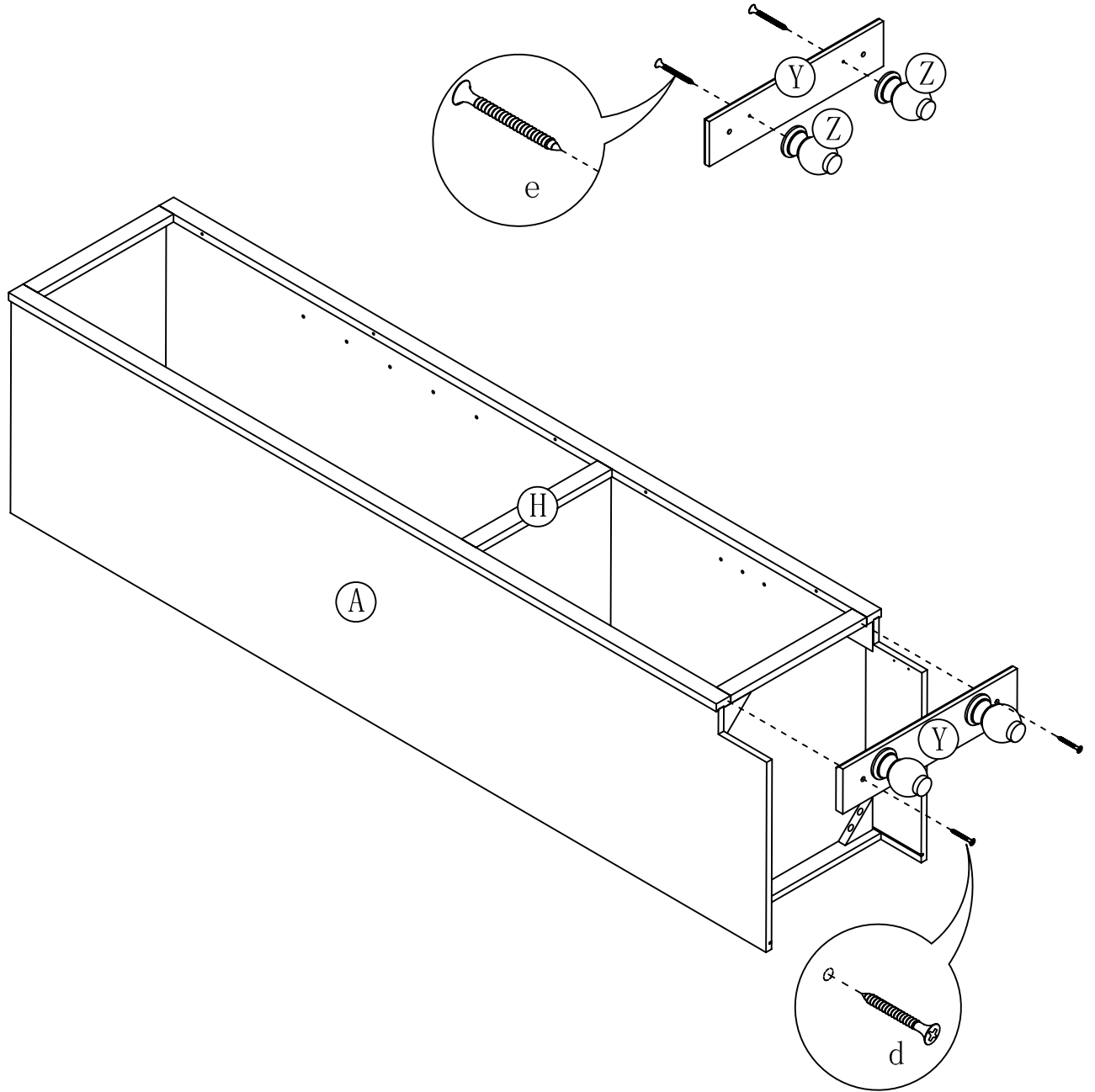
STEP 3



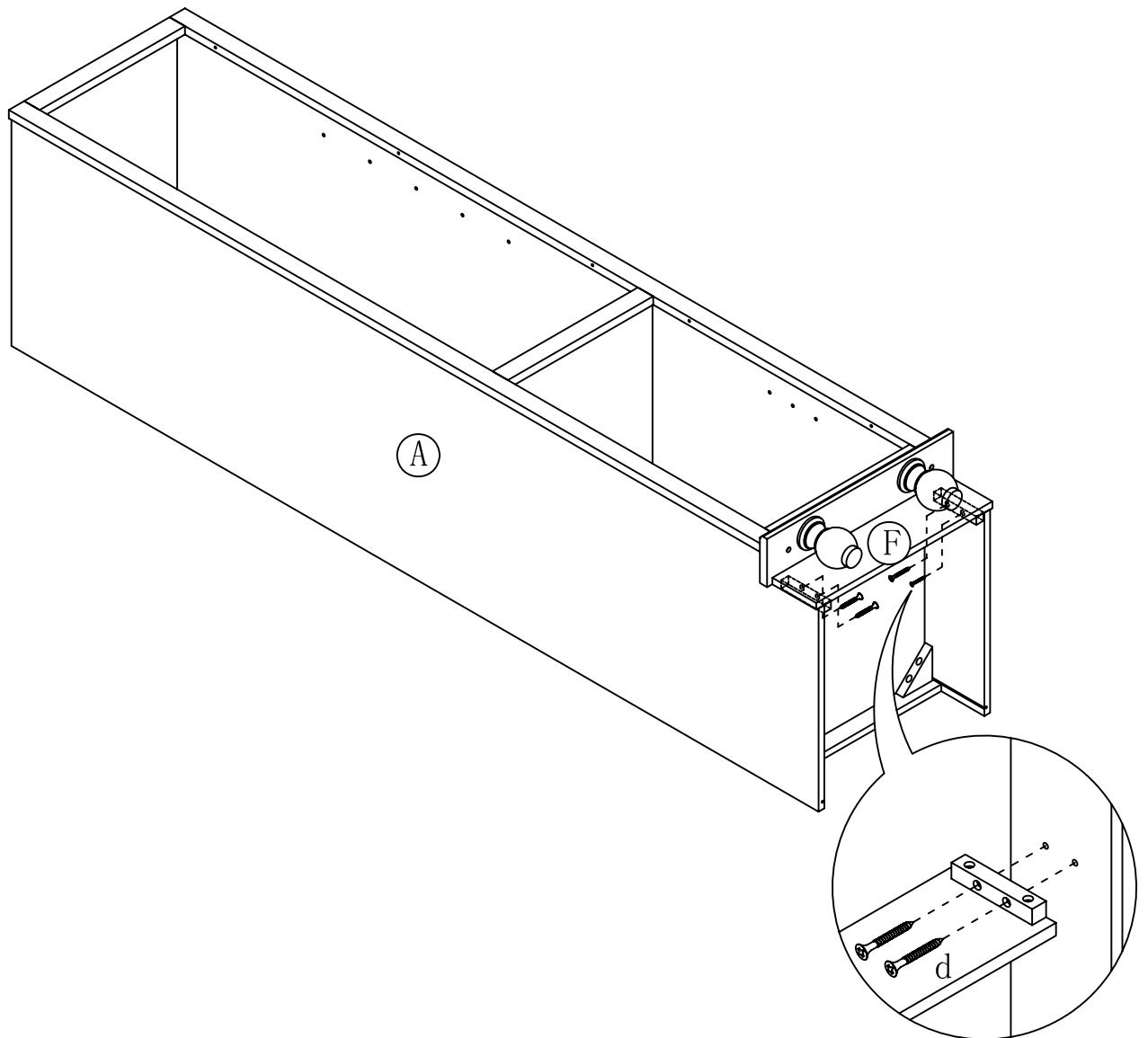
STEP 4



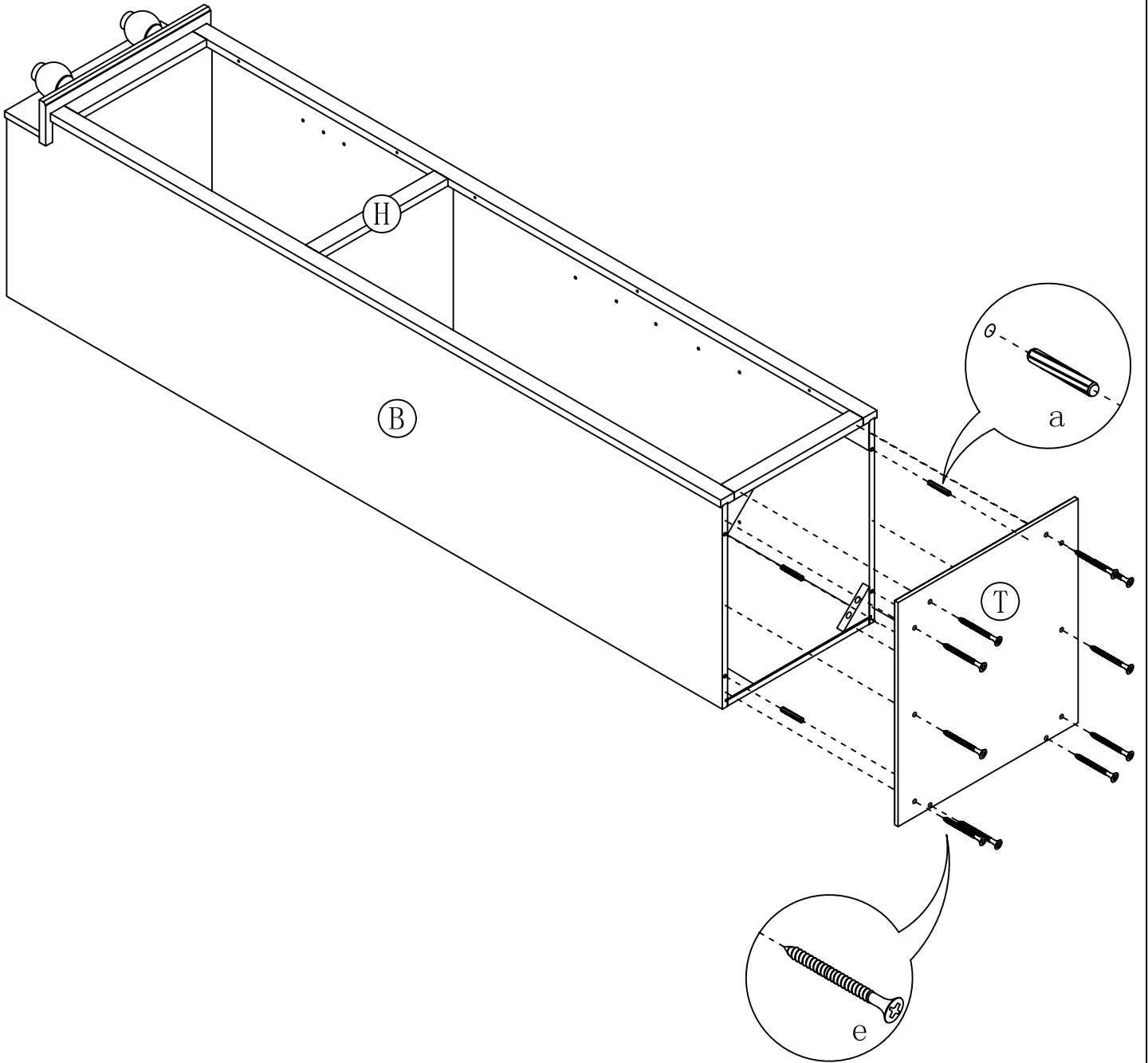
STEP 5



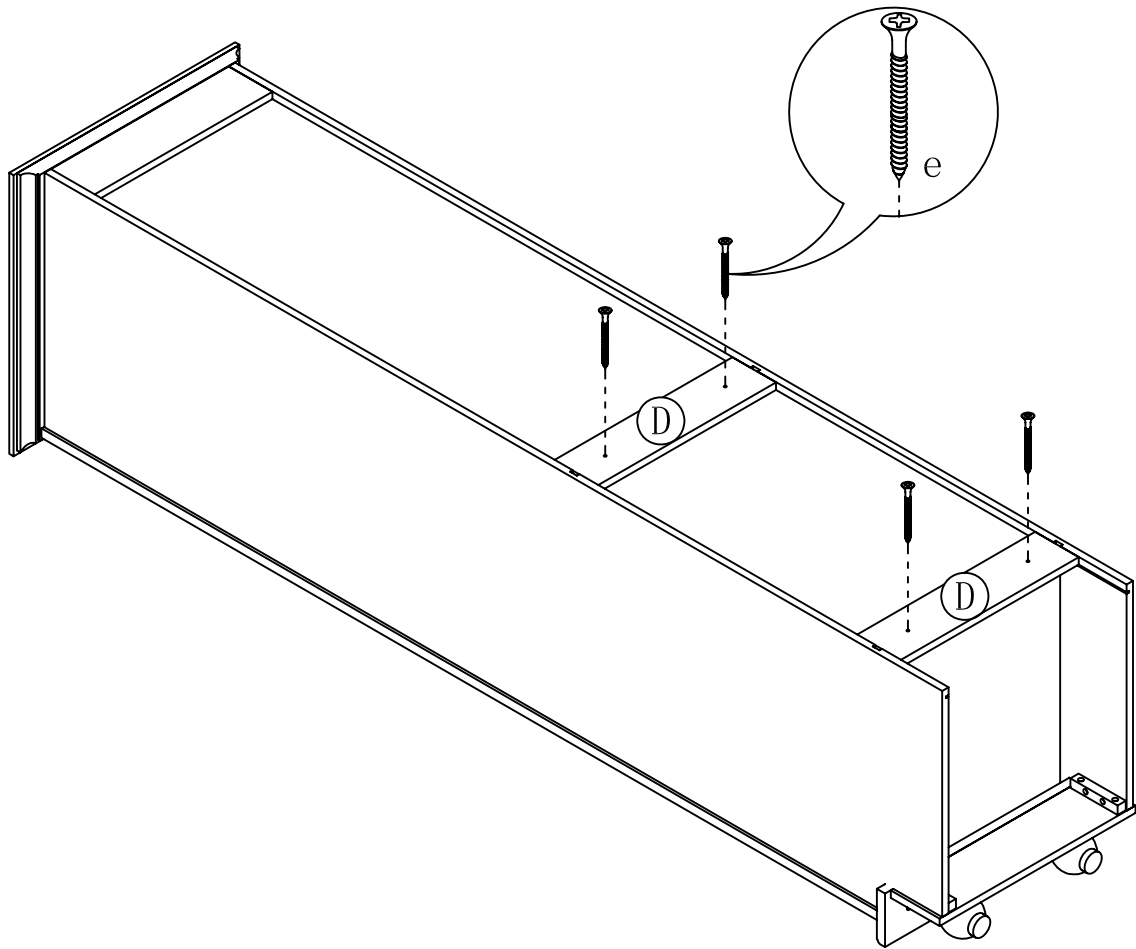
STEP 6



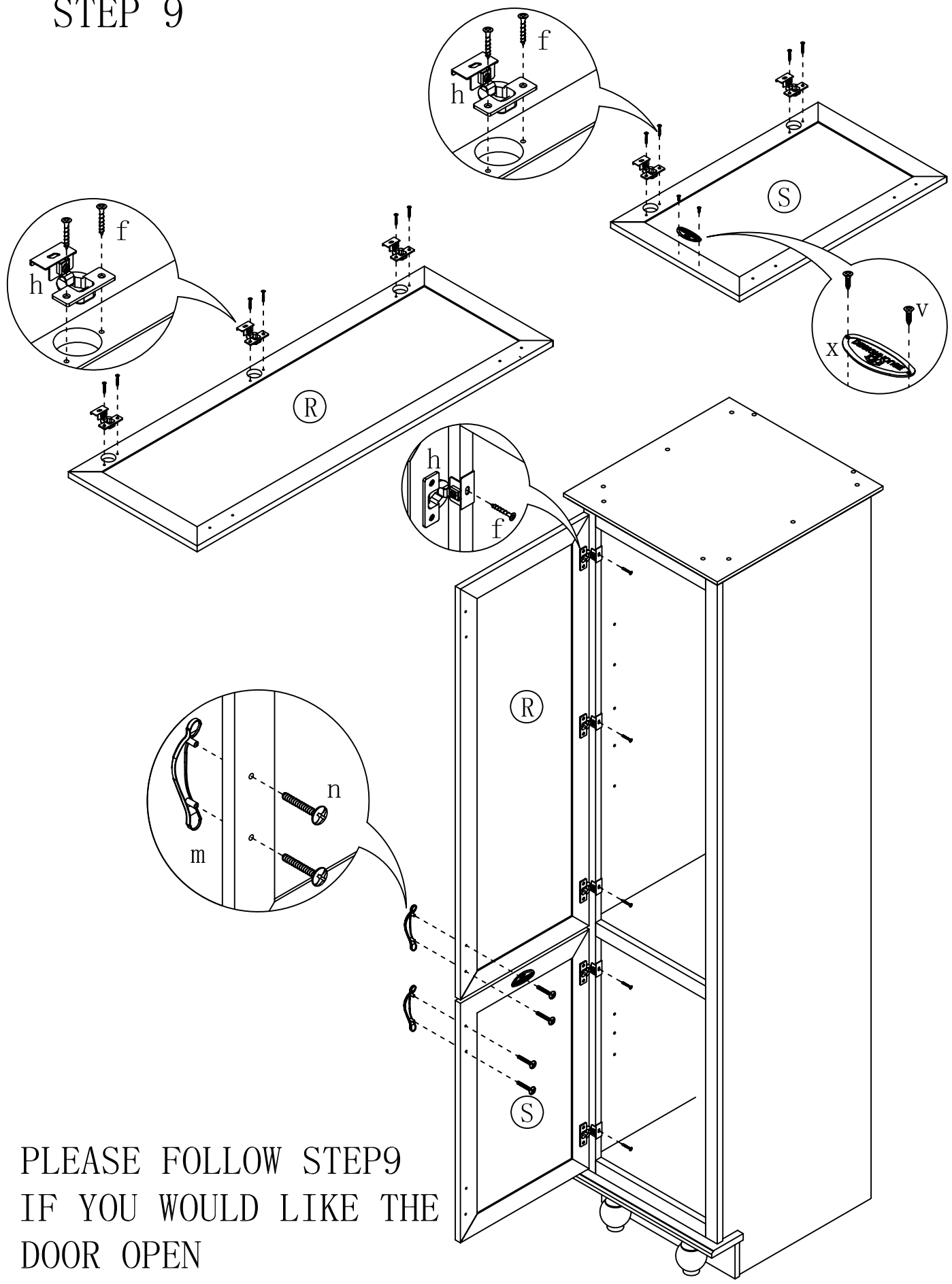
STEP 7



STEP 8

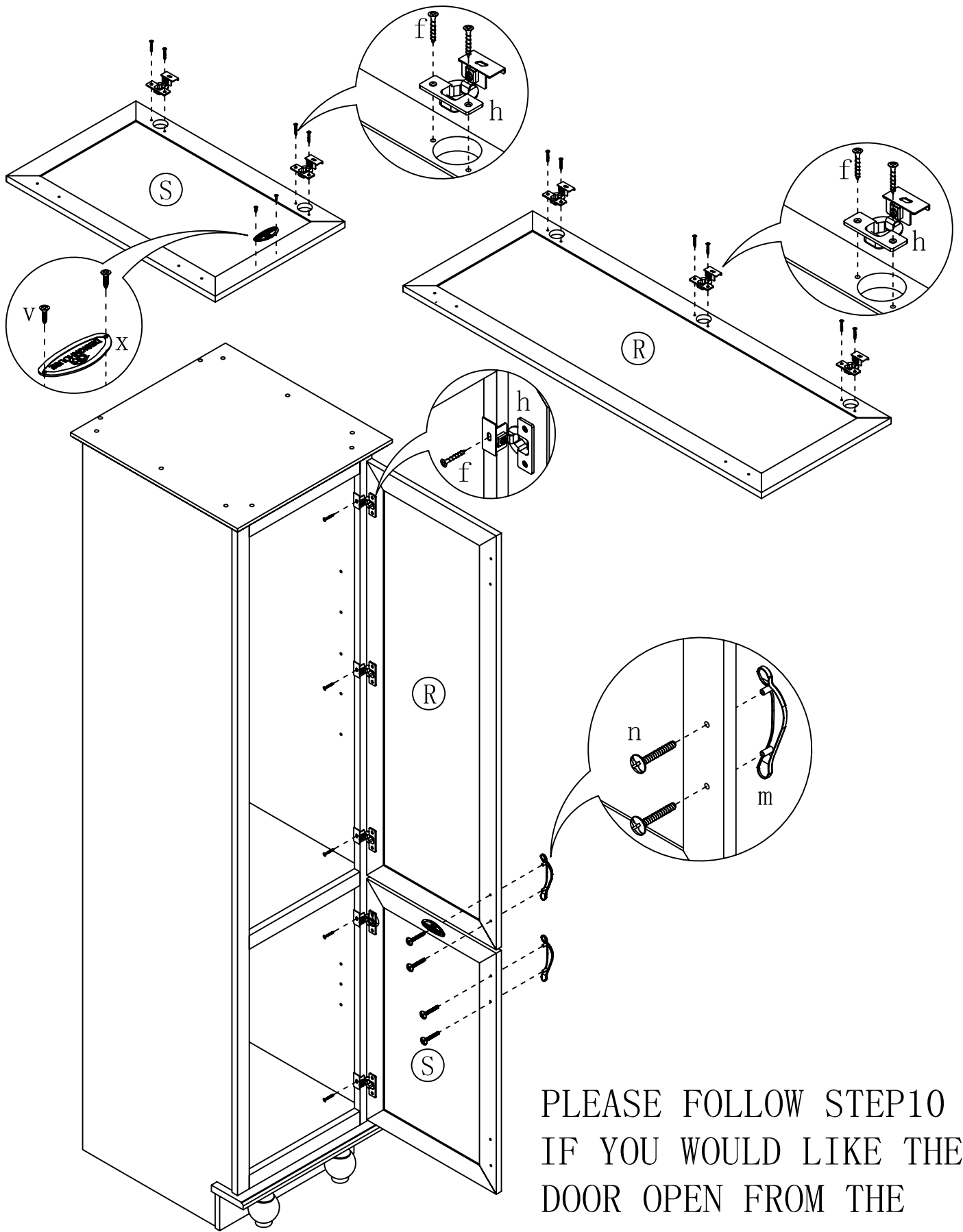


STEP 9



PLEASE FOLLOW STEP9
IF YOU WOULD LIKE THE
DOOR OPEN
FROM THE LEFT

STEP 10



PLEASE FOLLOW STEP10
IF YOU WOULD LIKE THE
DOOR OPEN FROM THE
RIGHT

STEP 11

