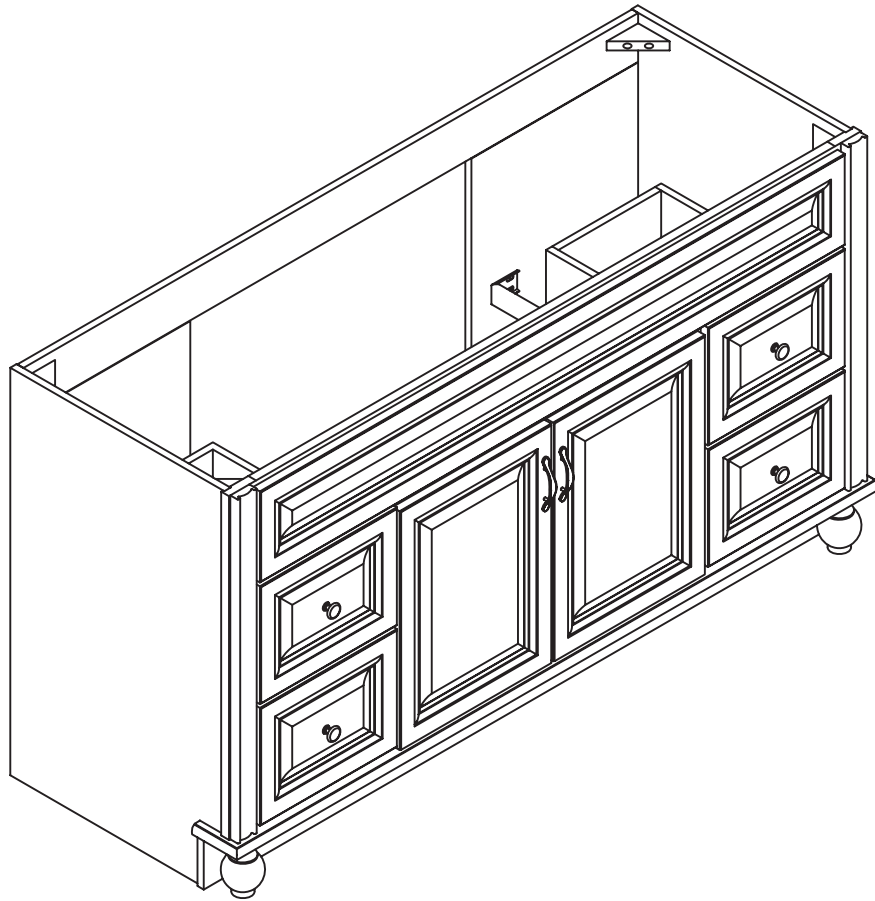




ADVANCED

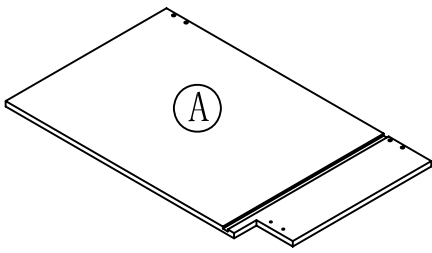
GLOBAL COMMERCE



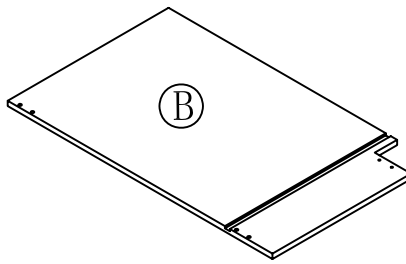
540757

ASSEMBLY INSTRUCTIONS

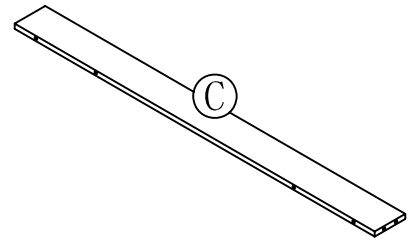
PARTS LIST:



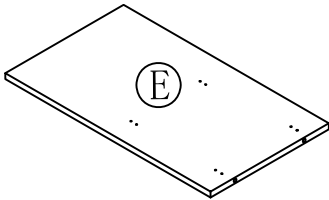
LEFT SIDE PANEL 1PC



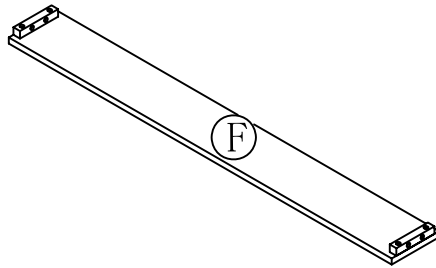
RIGHT SIDE PANEL 1PC



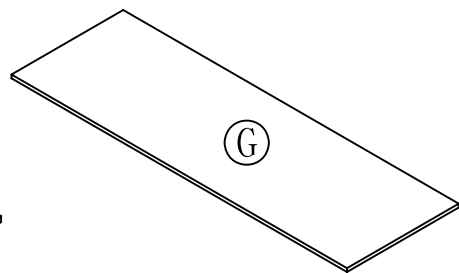
BACK CROSS BRACE 2PCS



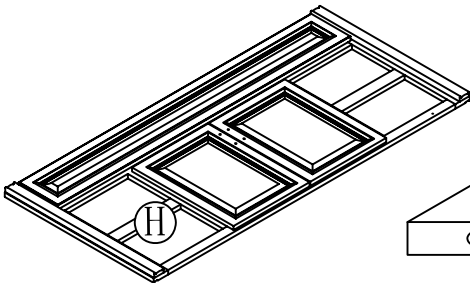
BACK PARTITION
PANEL 2PCS



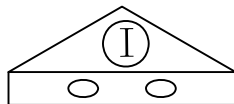
TOE KICK
PANEL 1PC



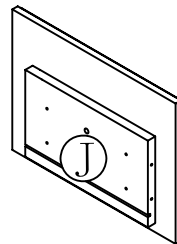
BOTTOM PANEL 1PC



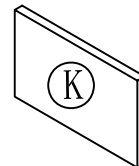
FRONT FRAME 1PC



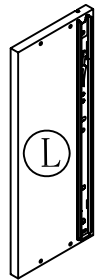
STRENGTH BLOCK
8PCS



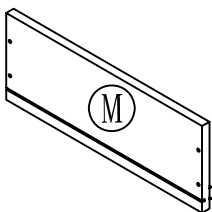
DRAWER FRONT
PANEL 4PCS



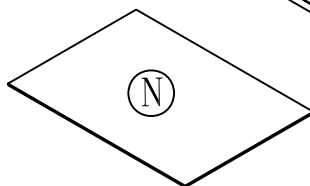
DRAWER BACK
PANEL 4PCS



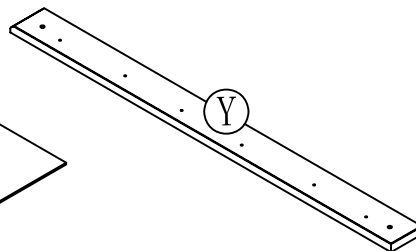
DRAWER LEFT
SIDE PANEL 4PCS



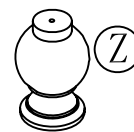
DRAWER RIGHT SIDE
PANEL 4PCS



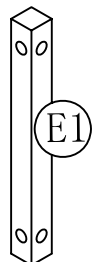
DRAWER BOTTOM
PANEL 4PCS



FRONT CROSS
BRACE 1PC

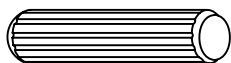


FOOT 2PCS



STRENGTH
RAIL 2PCS

HARDWARE LIST:



a. WOOD DOWEL 16PCS



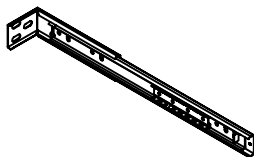
d. 1" FLAT HEAD
SCREW 34PCS



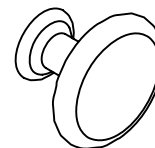
e. 1-1/2" FLAT HEAD
SCREW 34PCS



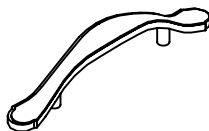
g. 1/2"L ROUND HEAD
SCREW 32PCS



i. DRAWER GUIDE 8PCS



l. KNOB 4PCS



m. HANDLE 2PCS

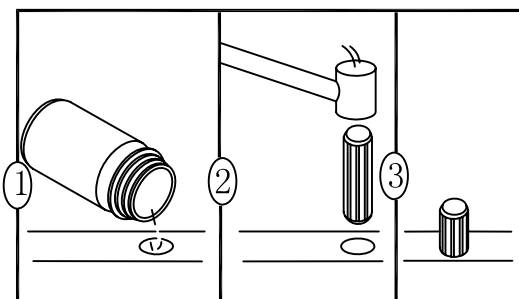
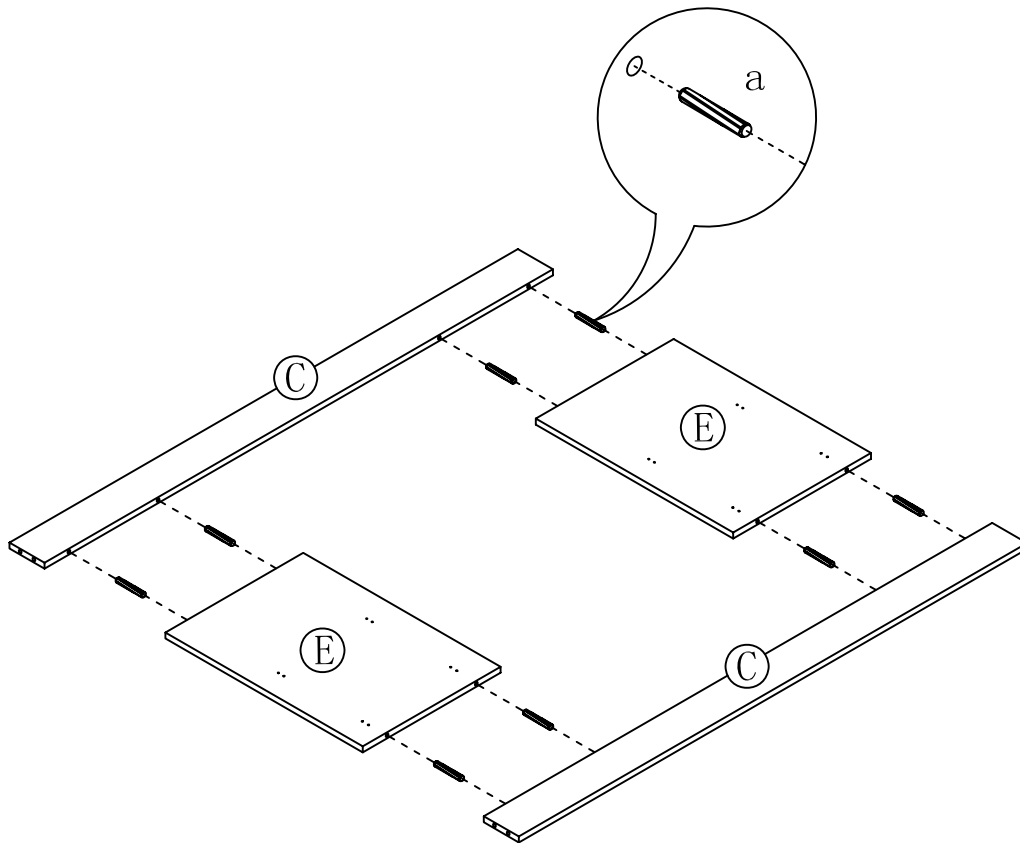


n. HANDLE (KNOB) BOLT 8PCS

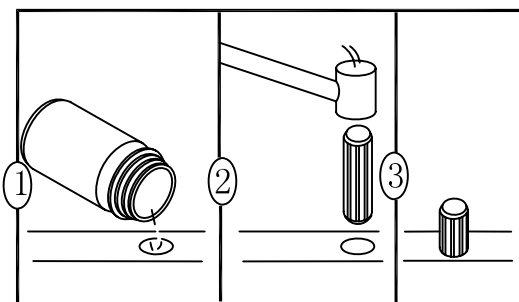
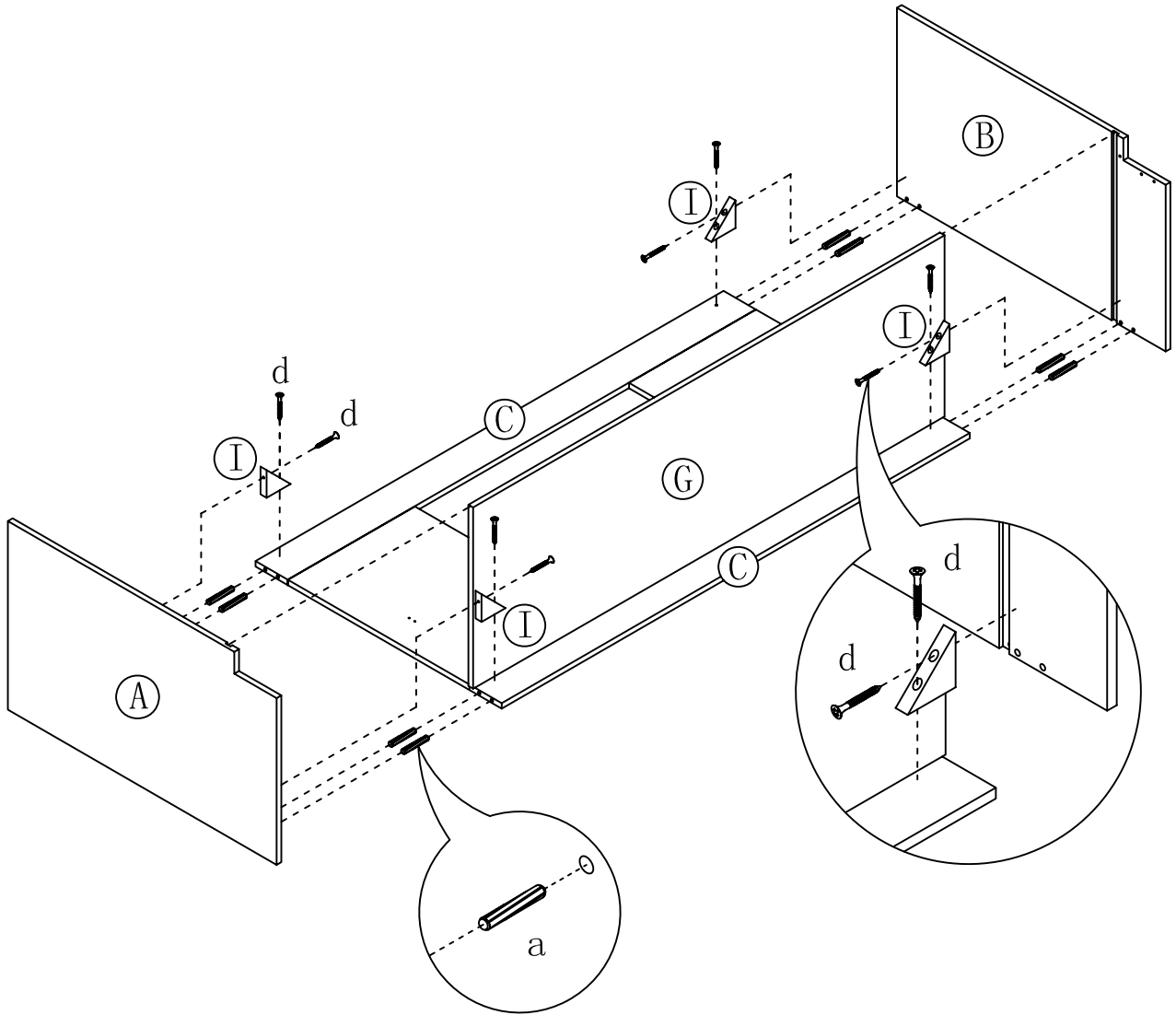


p. GLUE 1PC

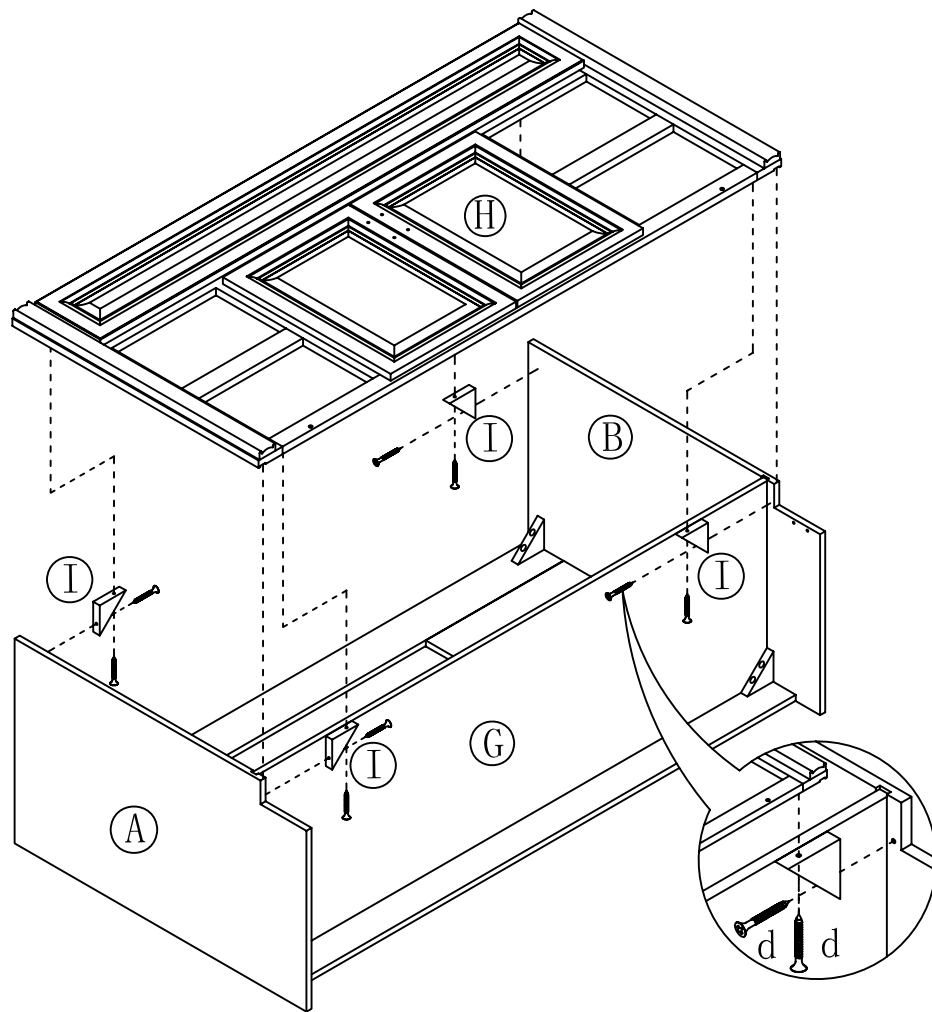
STEP 1



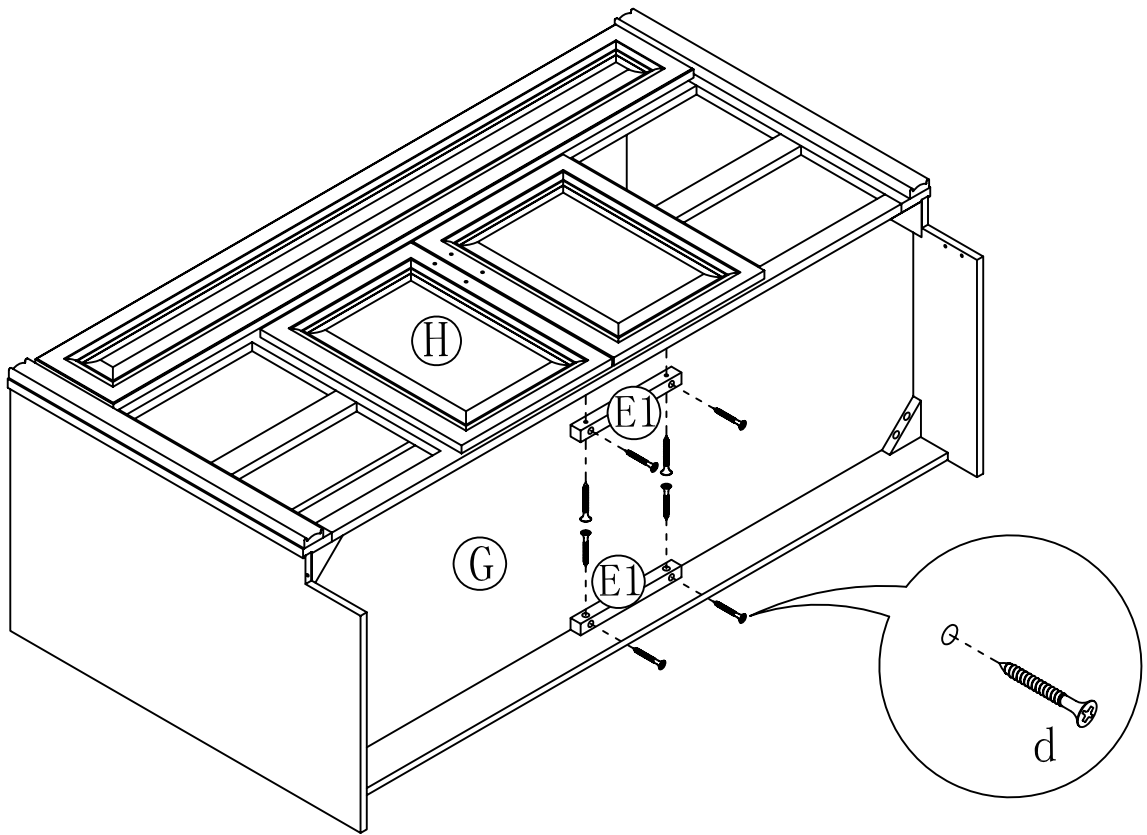
STEP 2



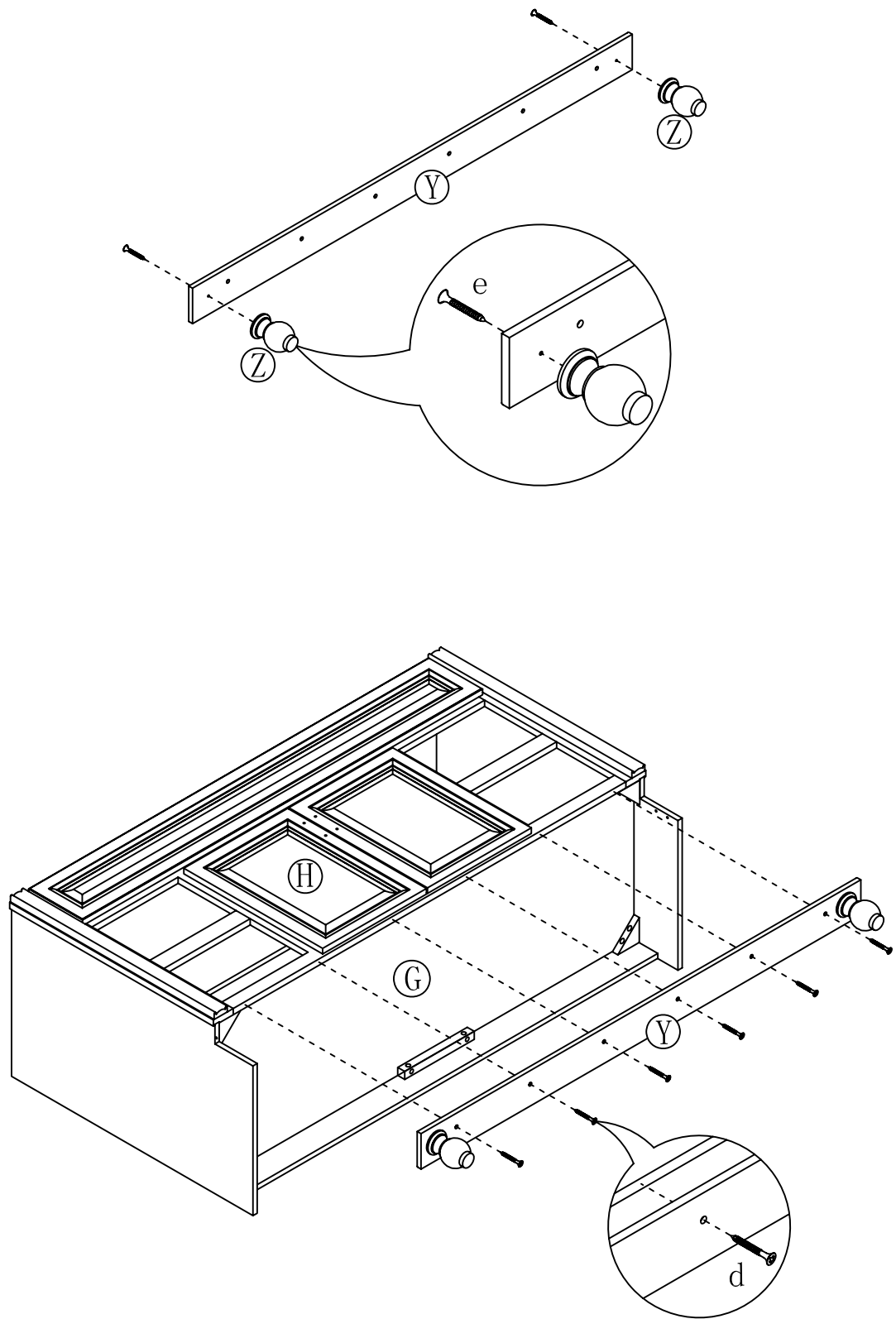
STEP 3



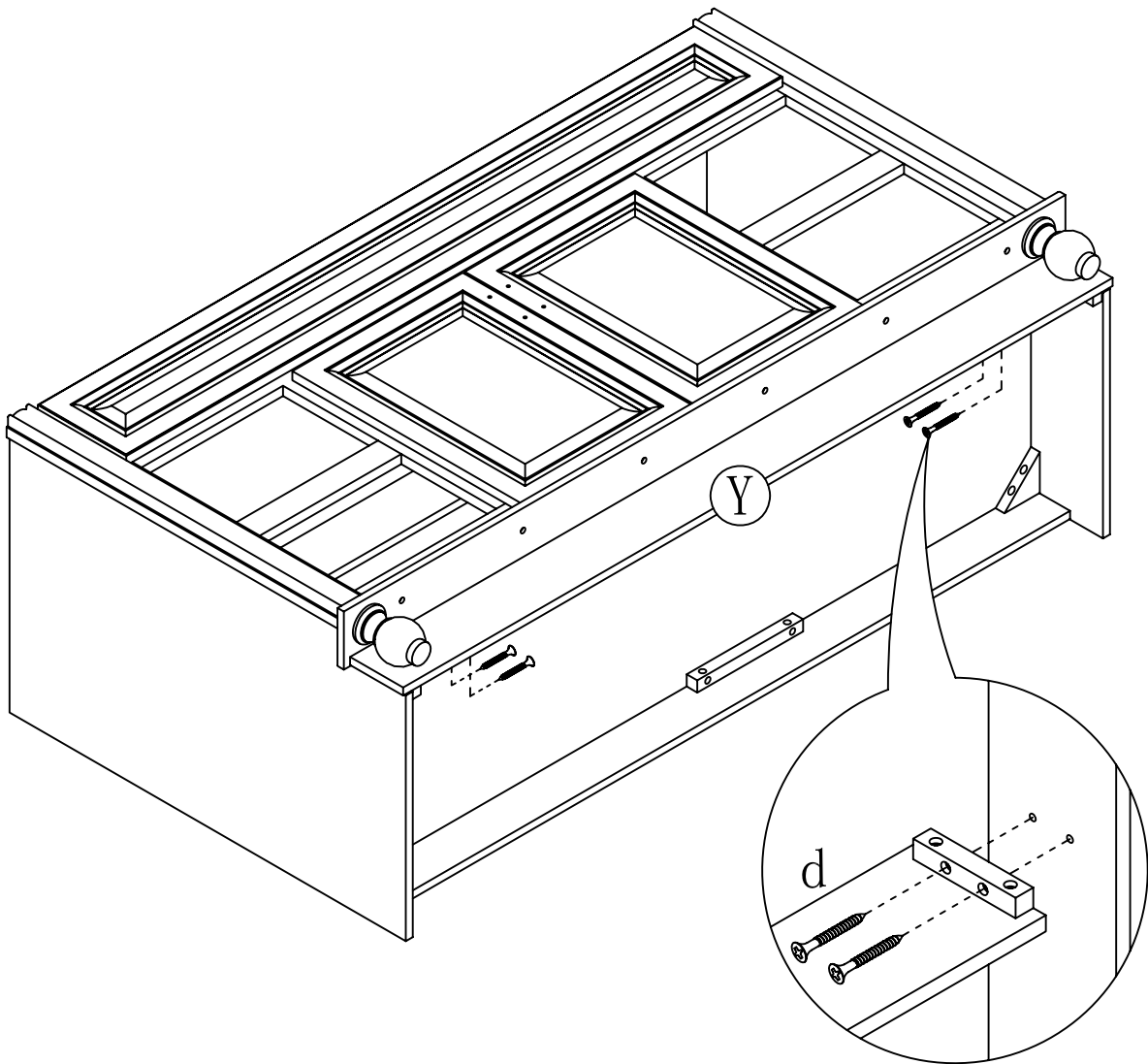
STEP 4



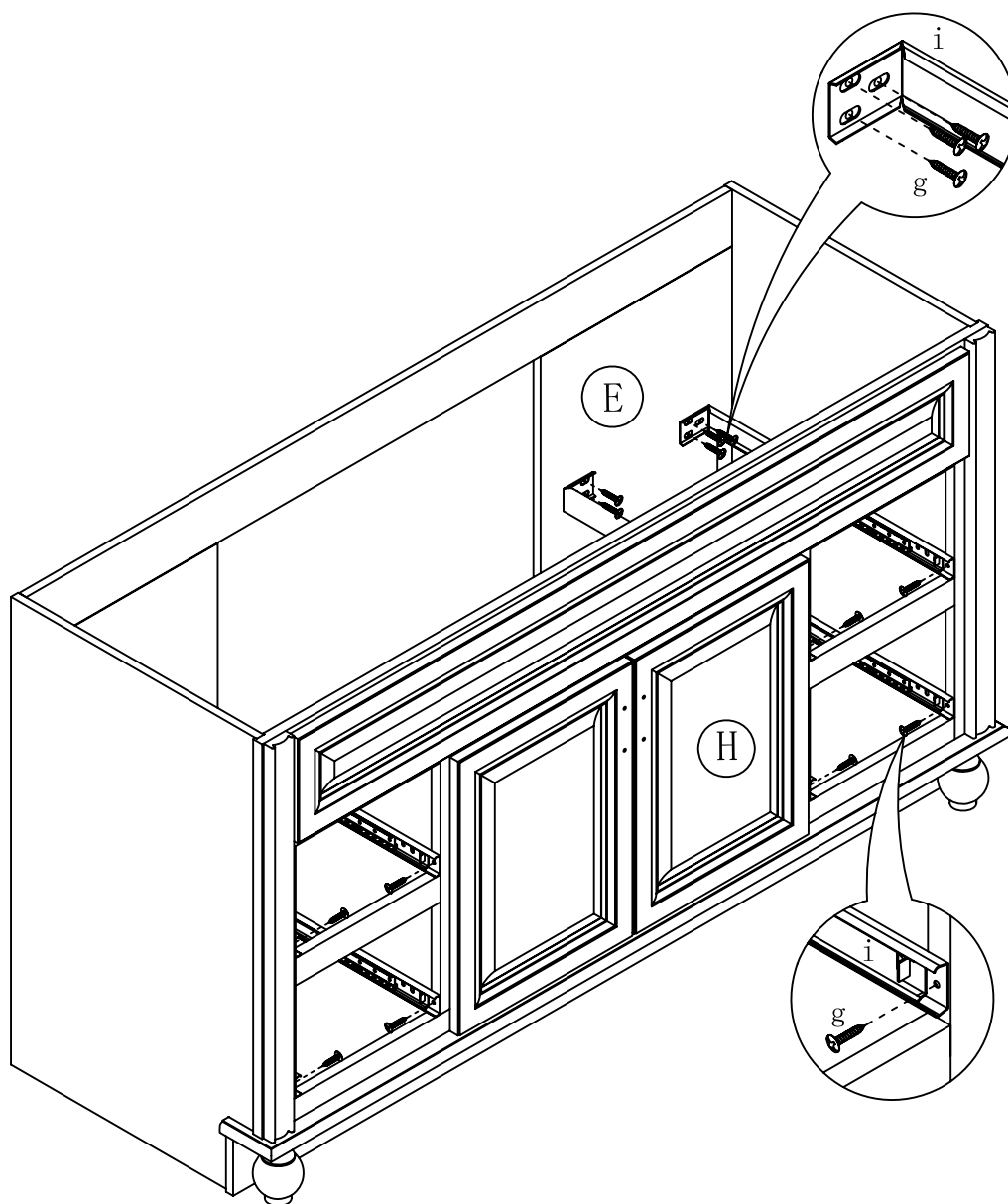
STEP 5



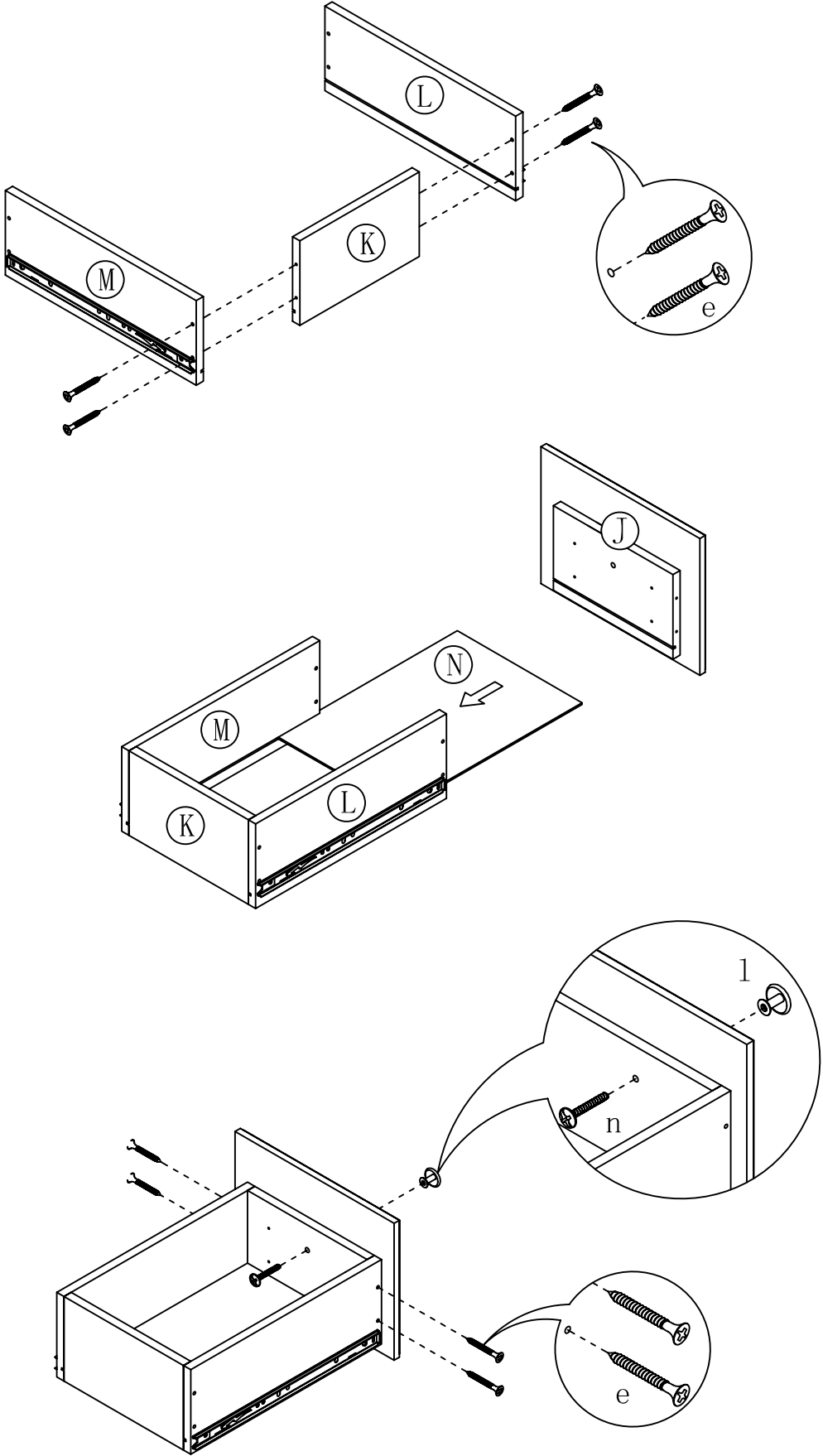
STEP 6



STEP 7



STEP 8



STEP 9

