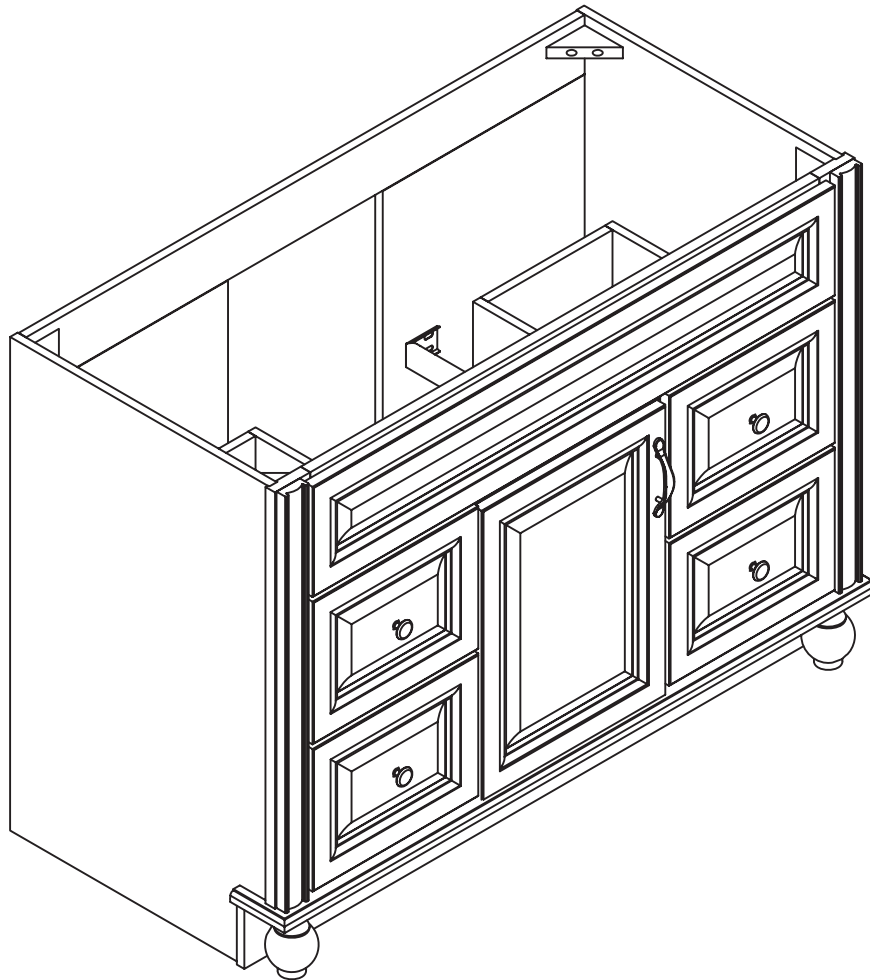




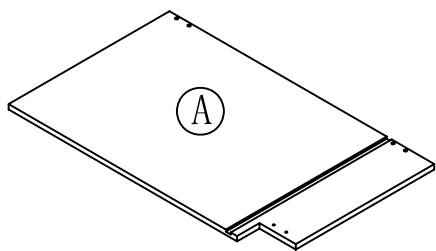
ADVANCED
GLOBAL COMMERCE



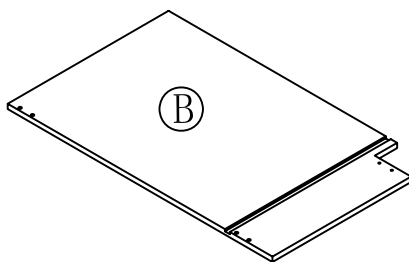
540740

ASSEMBLY INSTRUCTIONS

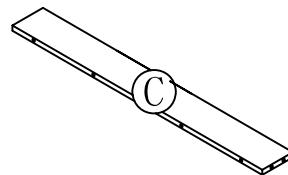
PARTS LIST:



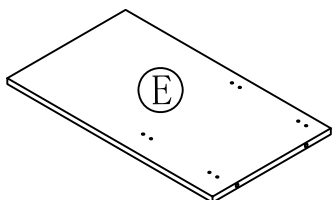
LEFT SIDE PANEL 1PC



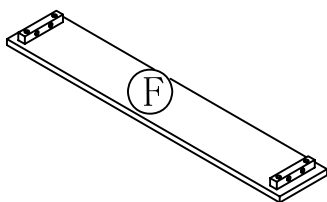
RIGHT SIDE PANEL 1PC



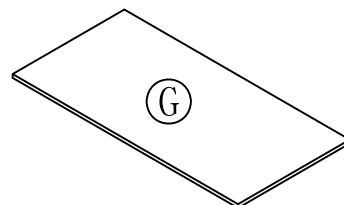
BACK CROSS BRACE 2PCS



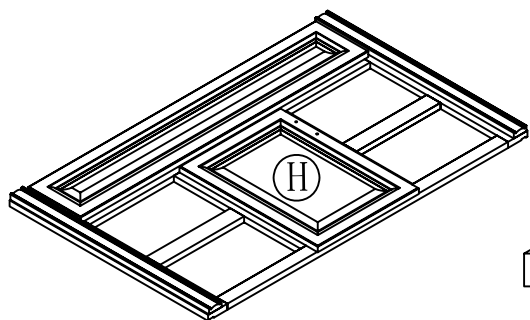
BACK PARTITION
PANEL 2PCS



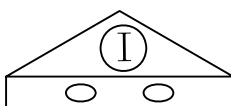
TOE KICK
PANEL 1PC



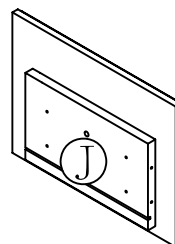
BOTTOM PANEL 1PC



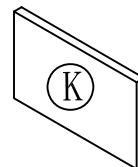
FRONT FRAME 1PC



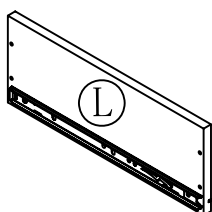
STRENGTH BLOCK
8PCS



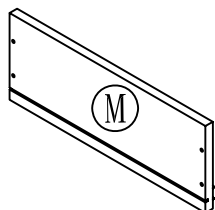
DRAWER FRONT
PANEL 4PCS



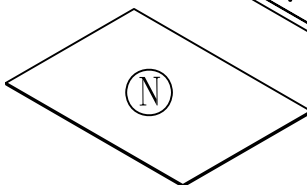
DRAWER BACK
PANEL 4PCS



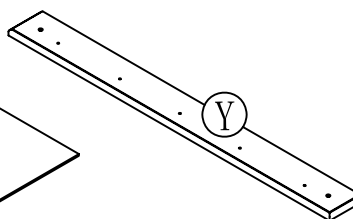
DRAWER LEFT
SIDE PANEL 4PCS



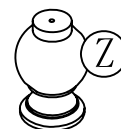
DRAWER RIGHT SIDE
PANEL 4PCS



DRAWER BOTTOM
PANEL 4PCS



FRONT CROSS
BRACE 1PC



FOOT 2PCS

HARDWARE LIST:



a. WOOD DOWEL 16PCS



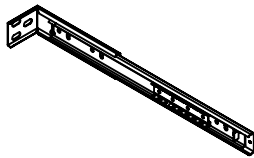
d. 1" FLAT HEAD
SCREW 25PCS



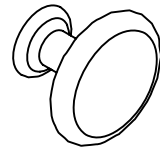
e. 1-1/2" FLAT HEAD
SCREW 34PCS



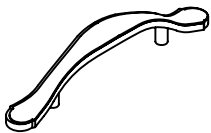
g. 1/2"L ROUND HEAD
SCREW 32PCS



i. DRAWER GUIDE 8PCS



l. KNOB 4PCS



m. HANDLE 1PC

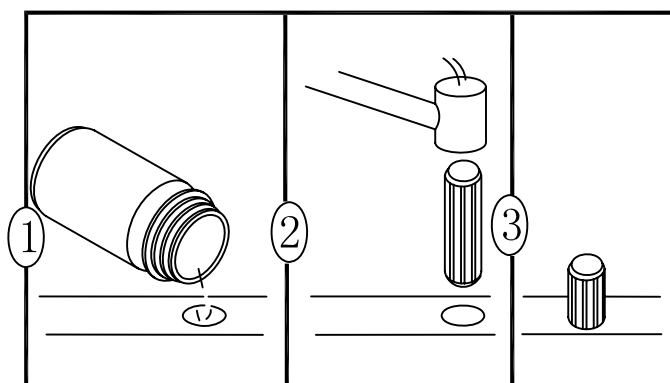
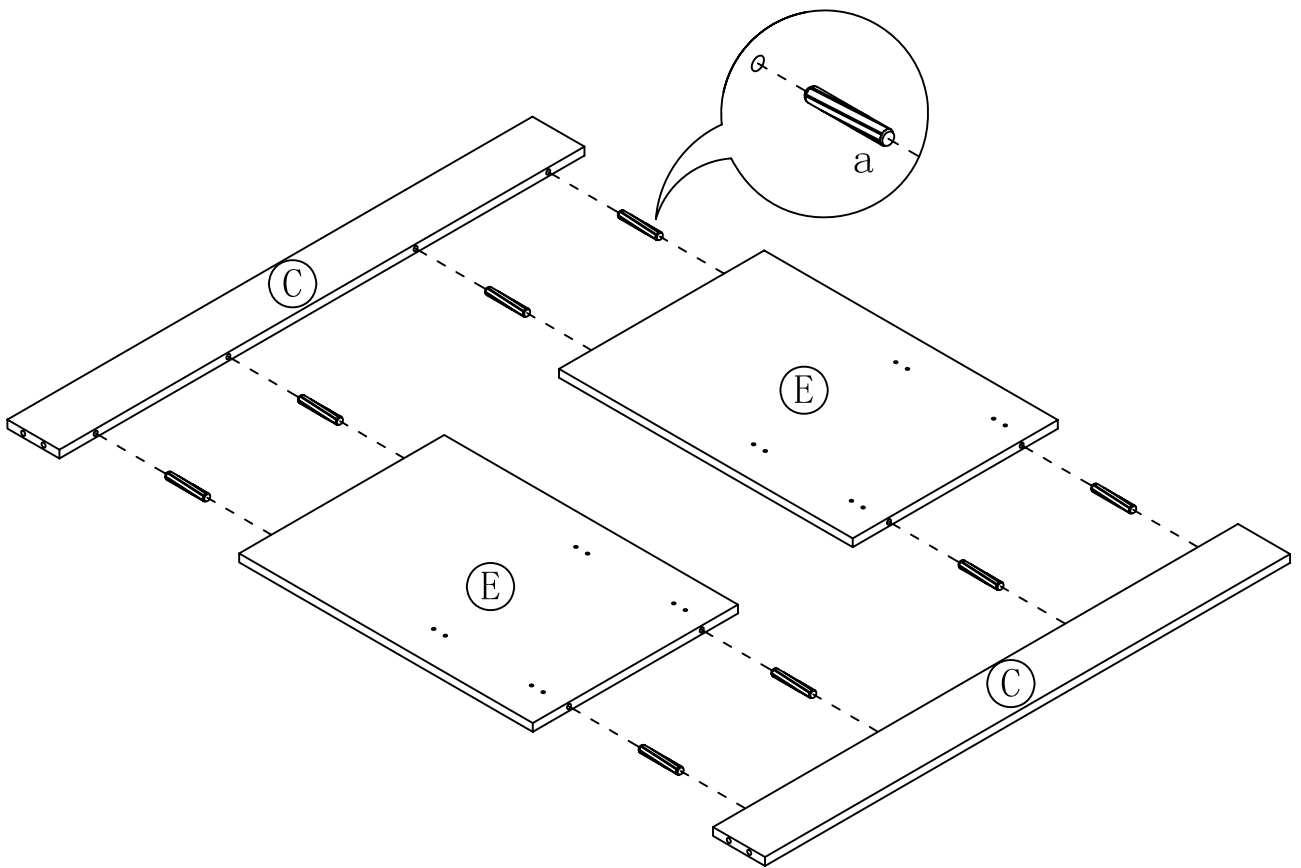


d. HANDLE (KNOB) BOLT 6PCS

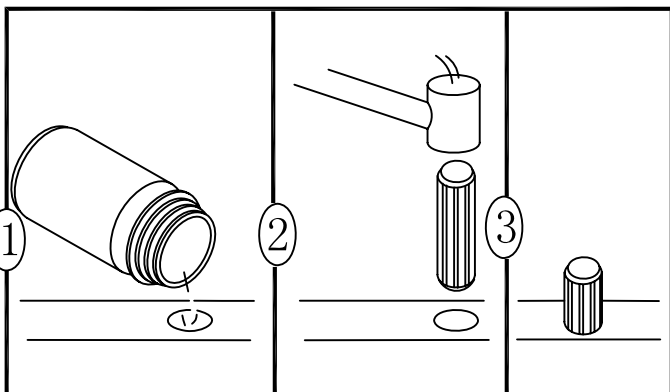
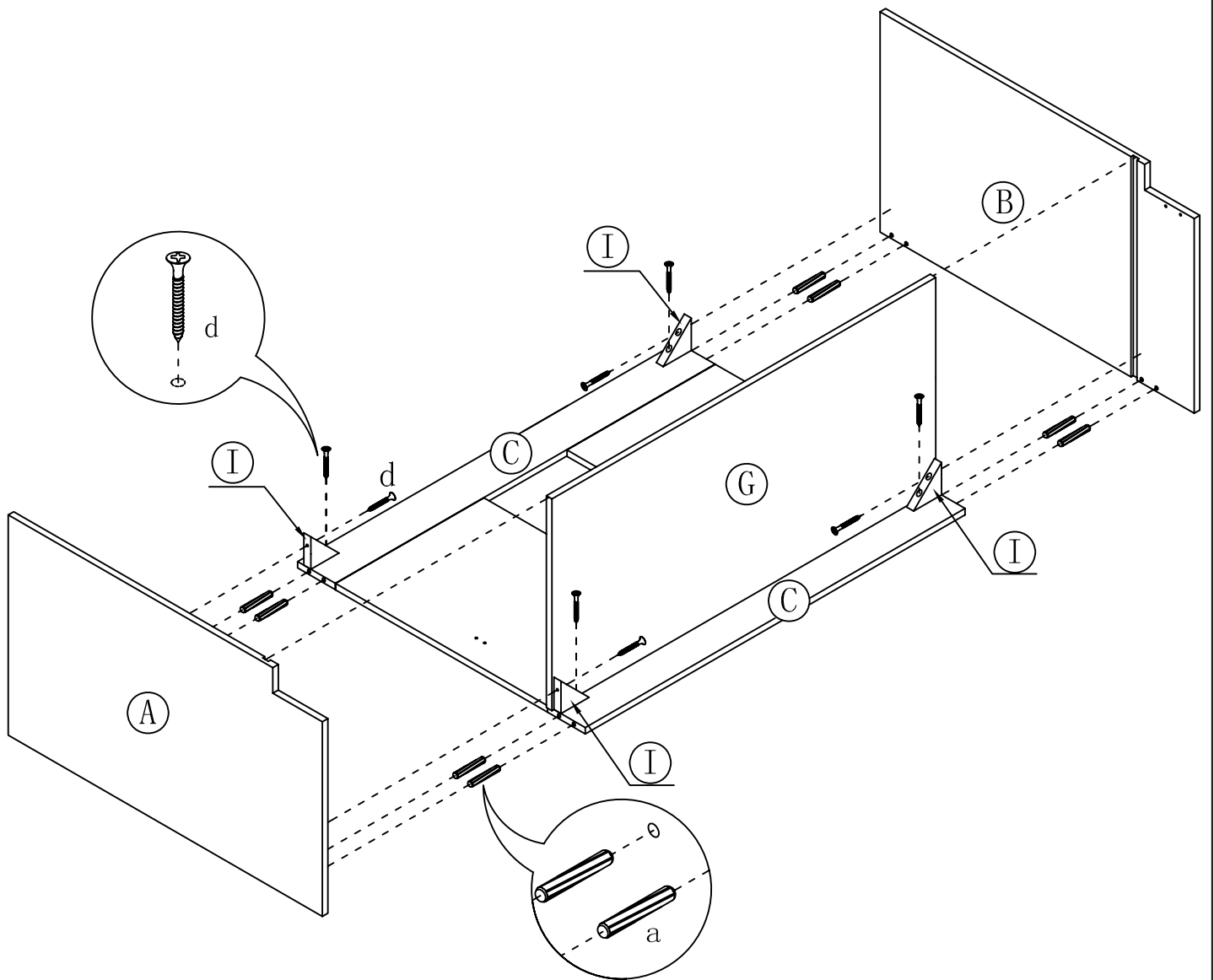


p. GLUE 1PC

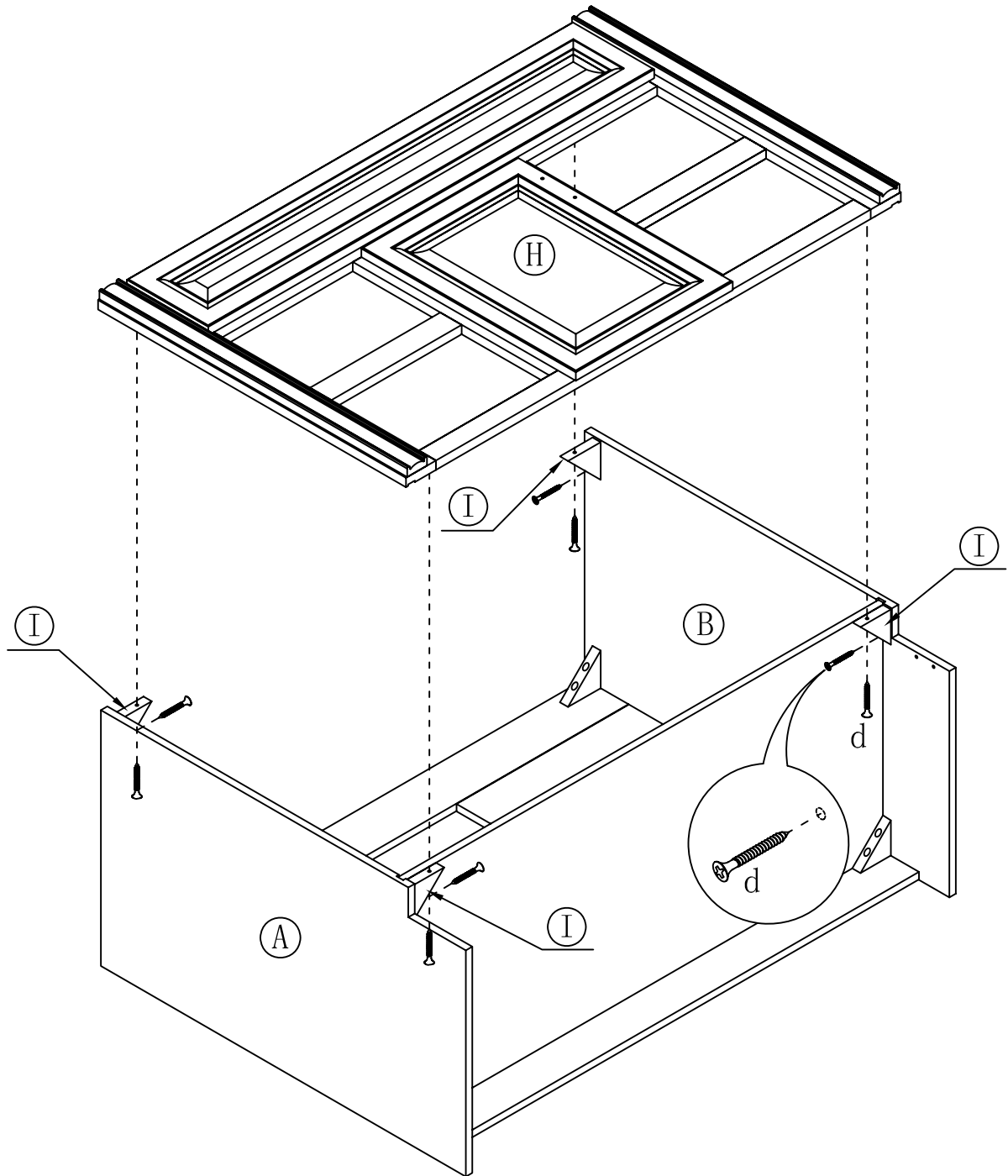
STEP 1



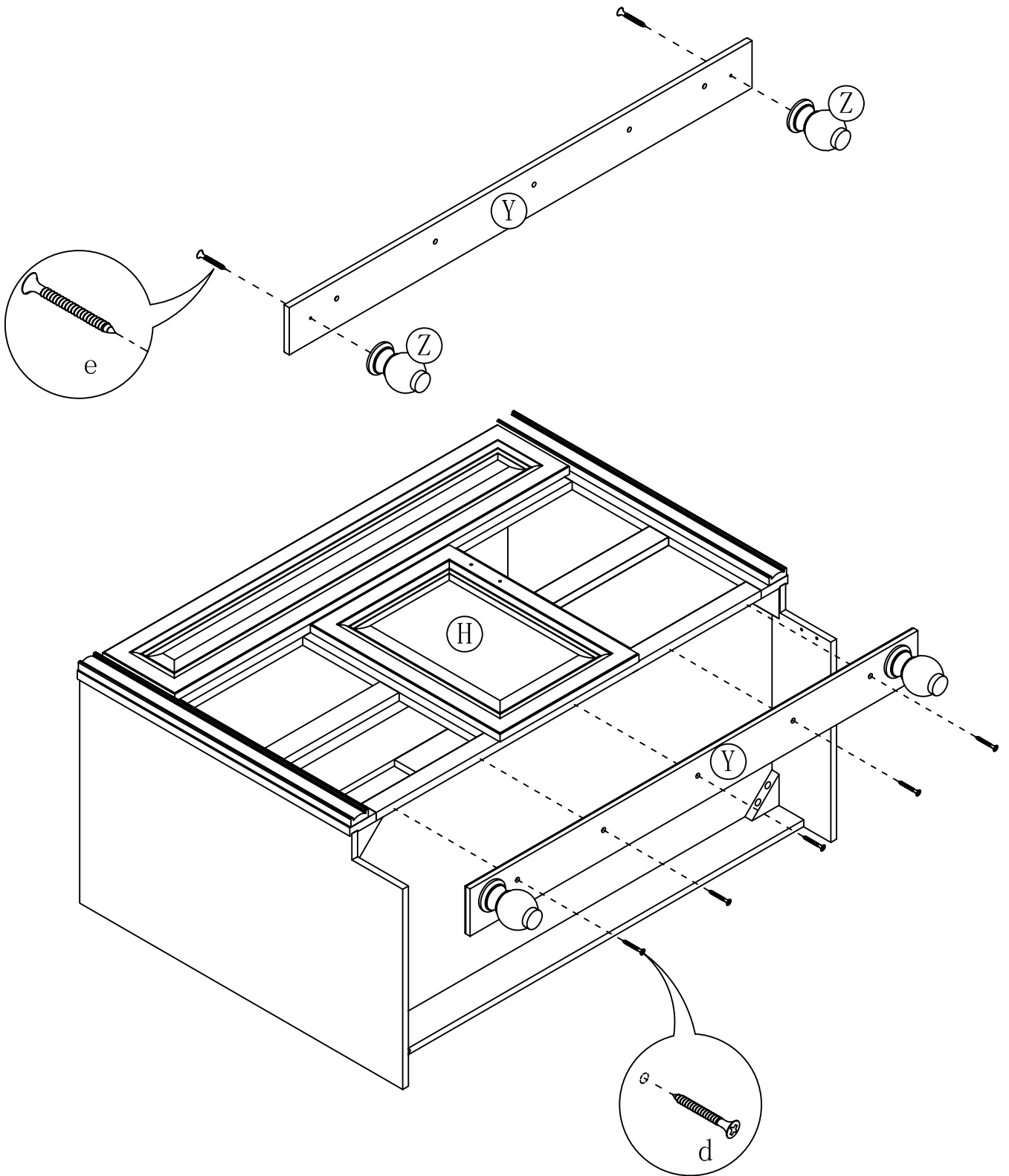
STEP 2



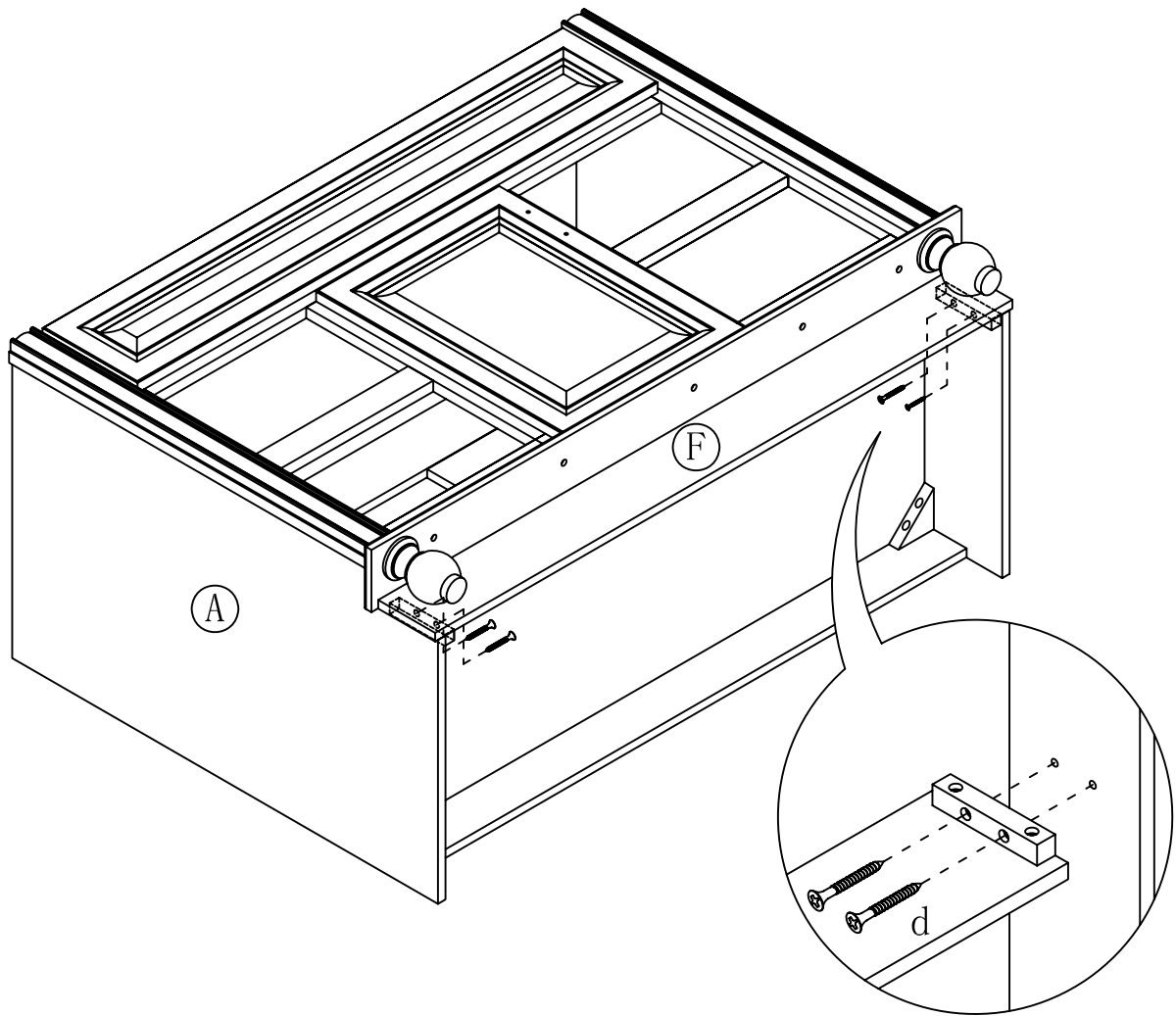
STEP 3



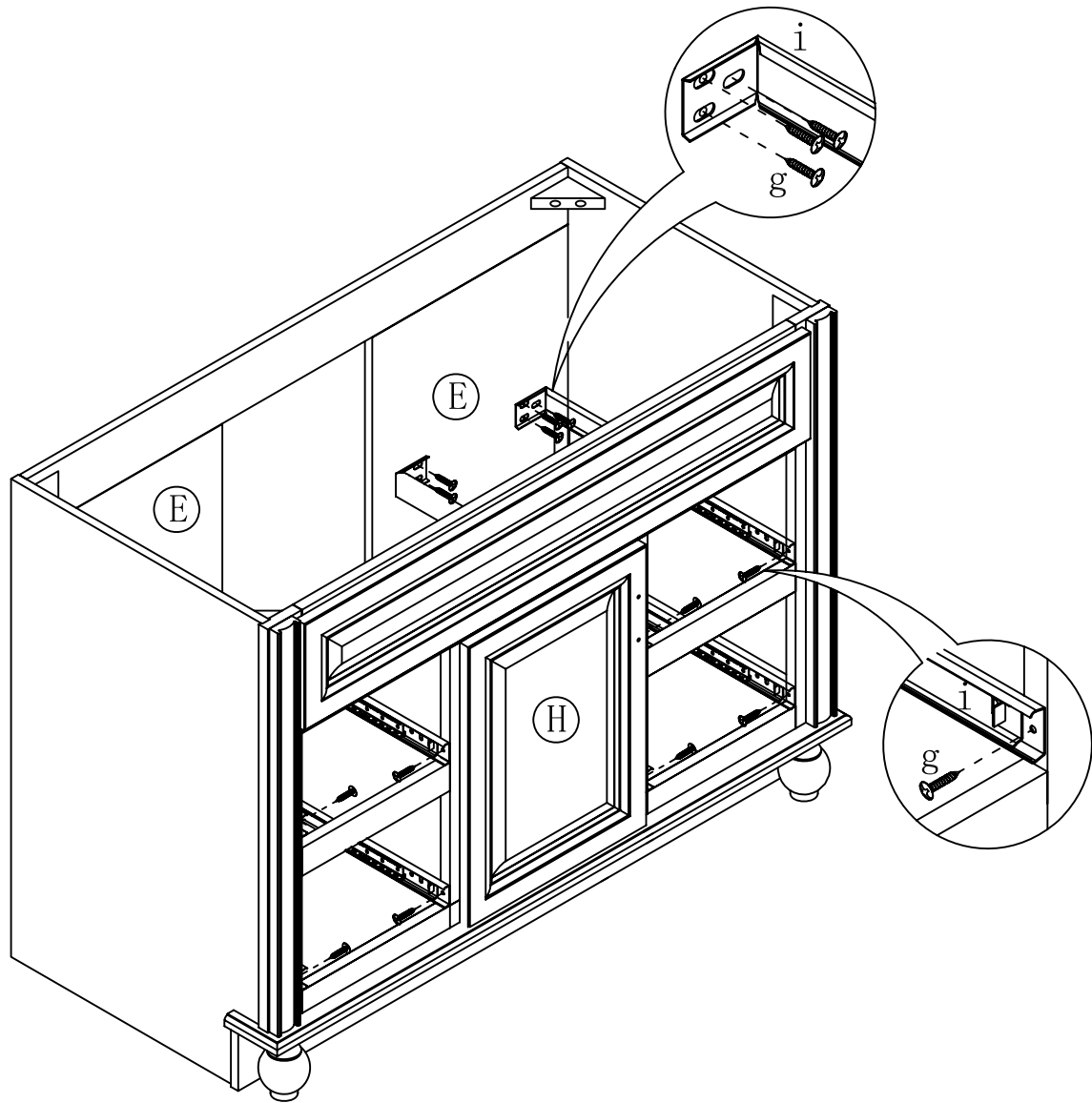
STEP 4



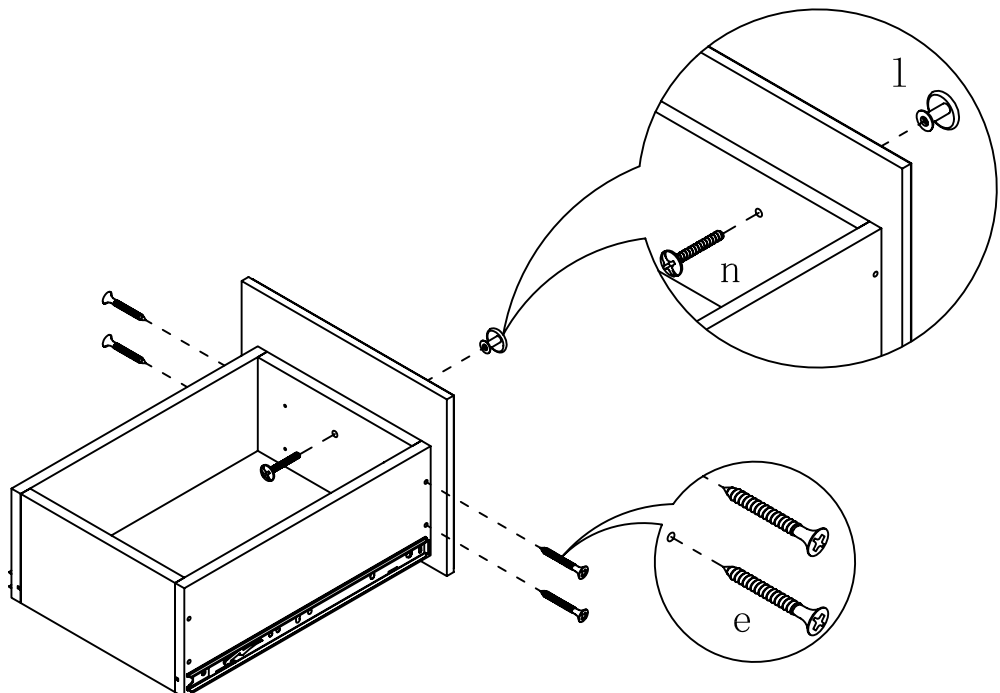
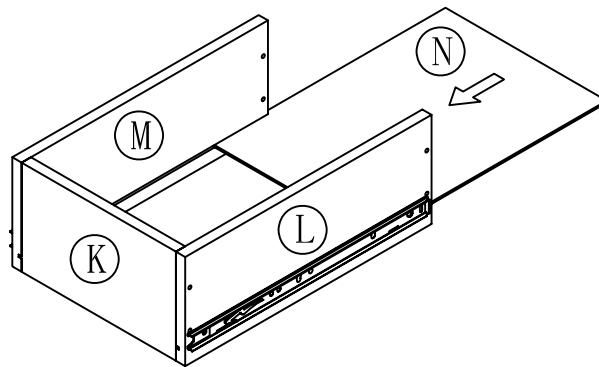
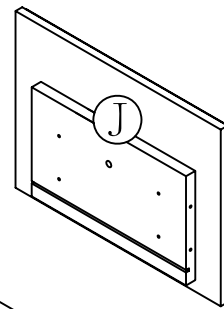
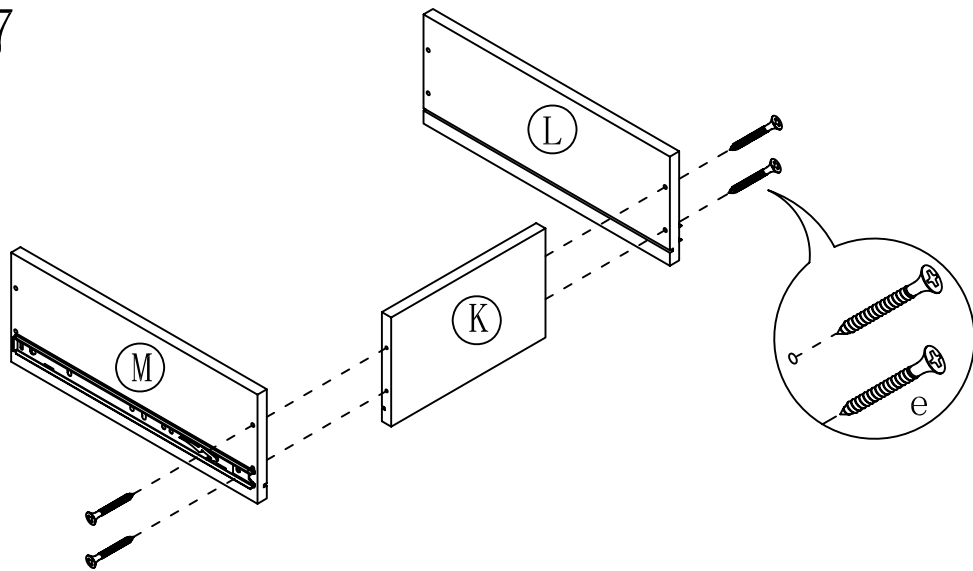
STEP 5



STEP 6



STEP 7



STEP 8

