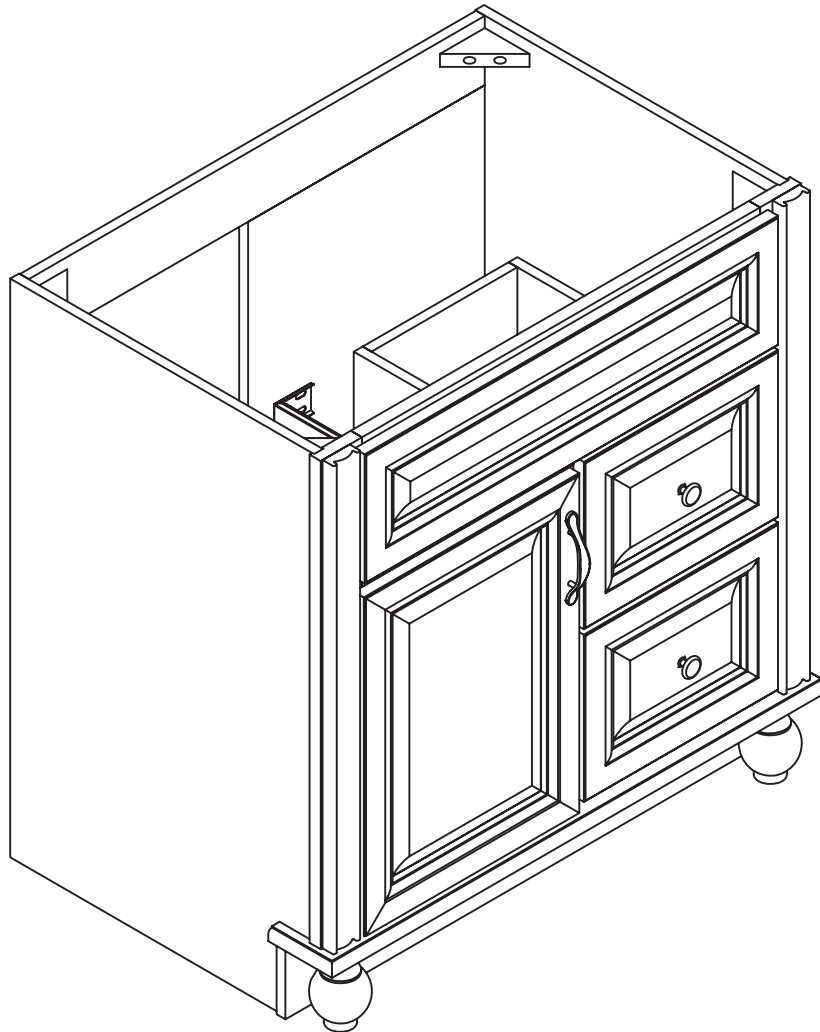




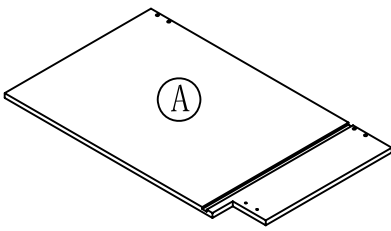
ADVANCED
GLOBAL COMMERCE



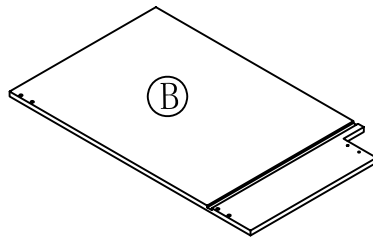
540732

ASSEMBLY INSTRUCTIONS

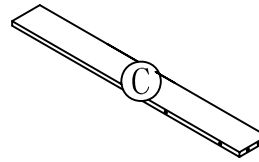
PARTS LIST:



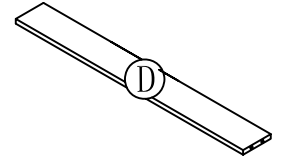
LEFT SIDE
PANEL 1PC



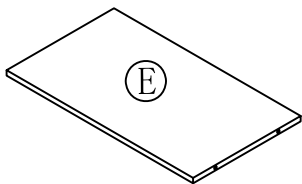
RIGHT SIDE
PANEL 1PC



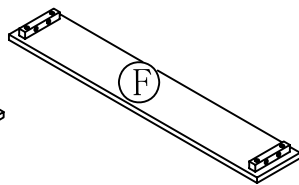
BACK UP CROSS
BRACE 1PC



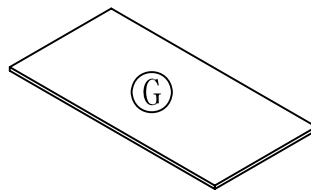
BACK DOWN CROSS
BRACE 1PC



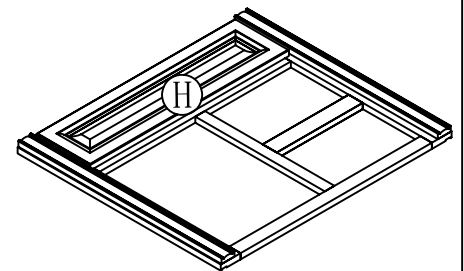
BACK PARTITION
PANEL 1PC



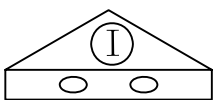
TOE KICK
PANEL 1PC



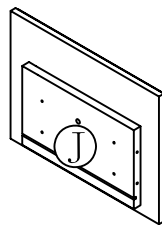
BOTTOM PANEL 1PC



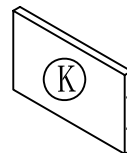
FRONT FRAME 1PC



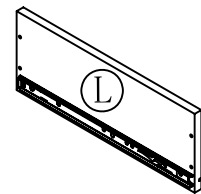
STRENGTH BLOCK
8PCS



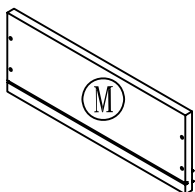
DRAWER FRONT
PANEL 2PCS



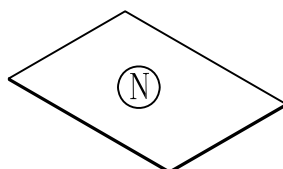
DRAWER BACK
PANEL 2PCS



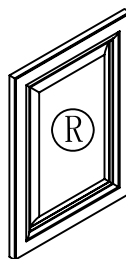
DRAWER LEFT
SIDE PANEL 2PCS



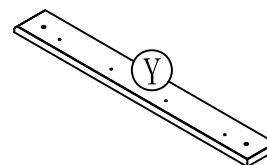
DRAWER RIGHT SIDE
PANEL 2PCS



DRAWER BOTTOM
PANEL 2PCS



DOOR 1PC



FRONT CROSS
BRACE 1PC



FOOT 2PCS

HARDWARE LIST:



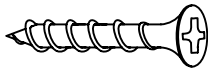
a. WOOD DOWEL 12PCS



d. 1" L FLAT HEAD SCREW 24PCS



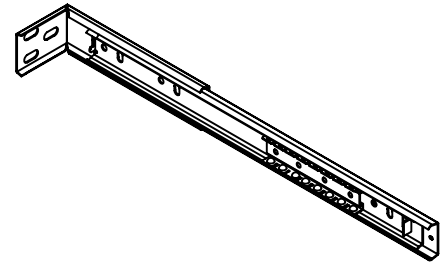
e. 1-1/2" L FLAT HEAD SCREW 18PCS



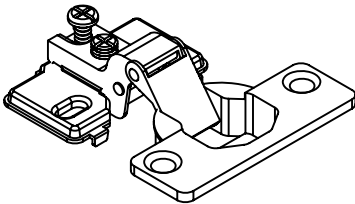
f. 5/8" L FLAT HEAD SCREW (FOR HINGE) 8PCS



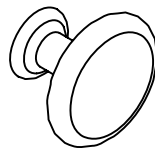
g. 1/2" L ROUND HEAD SCREW (FOR GUIDE) 16PCS



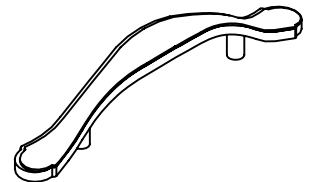
i. DRAWER GUIDE 4PCS



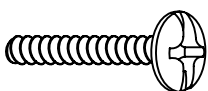
h. HINGE 2PCS



l. KNOB 2PCS



m. HANDLE 1PC



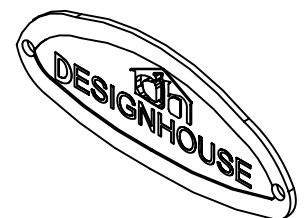
n. HANDLE BOLT 4PCS



p. GLUE 1PC

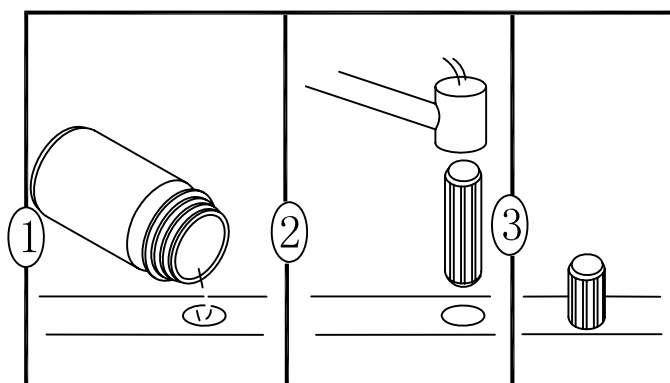
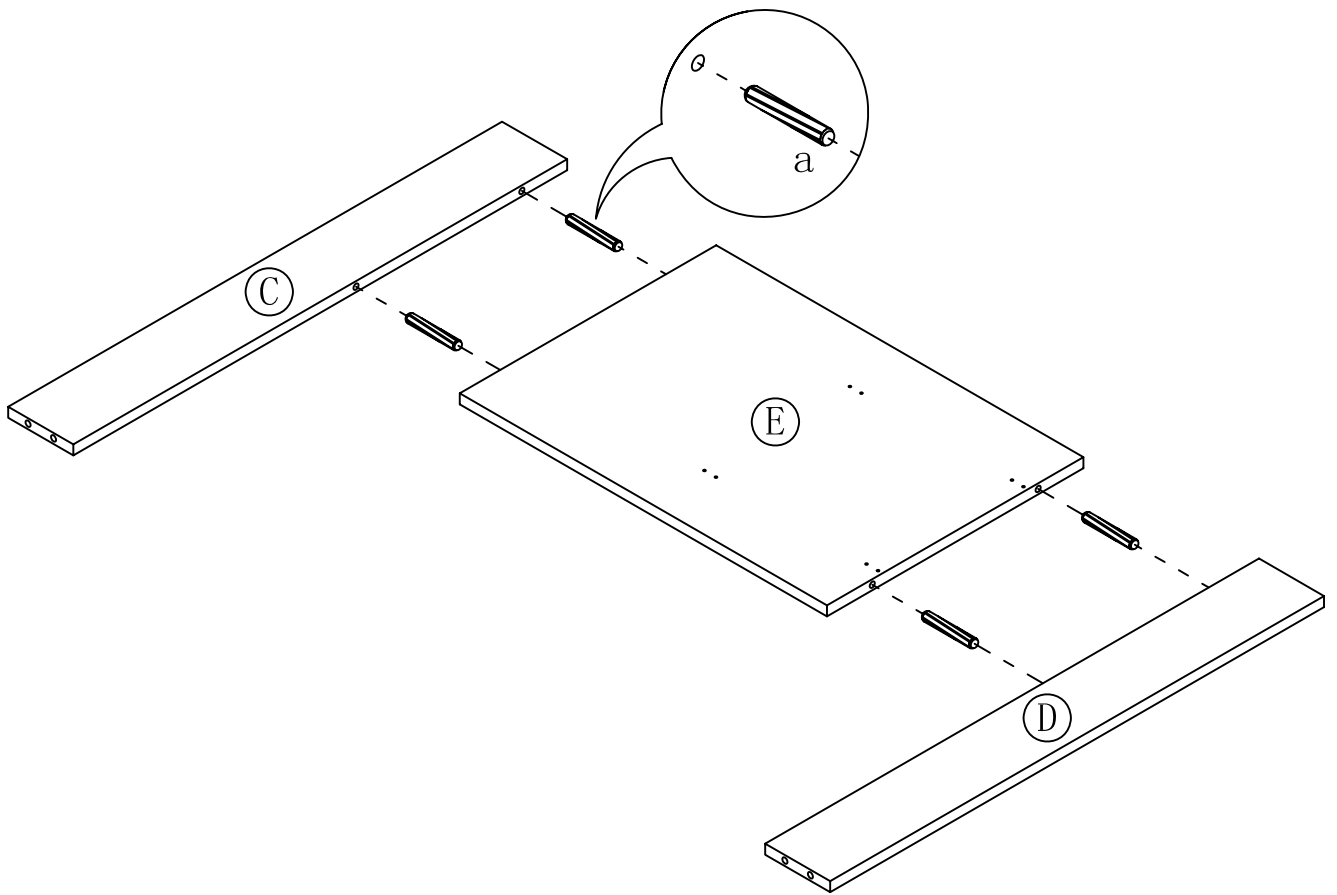


v. SMALL SCREW (FOR LOGO) 2PCS

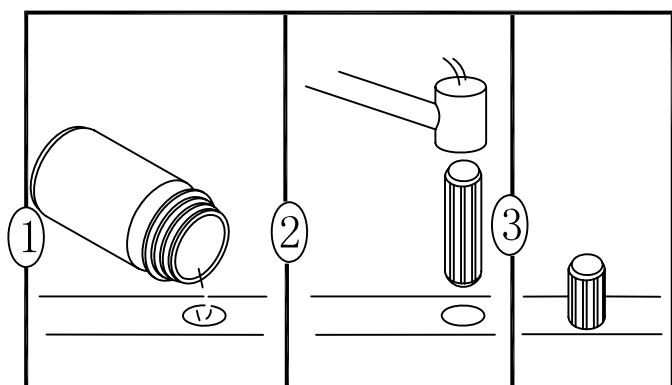
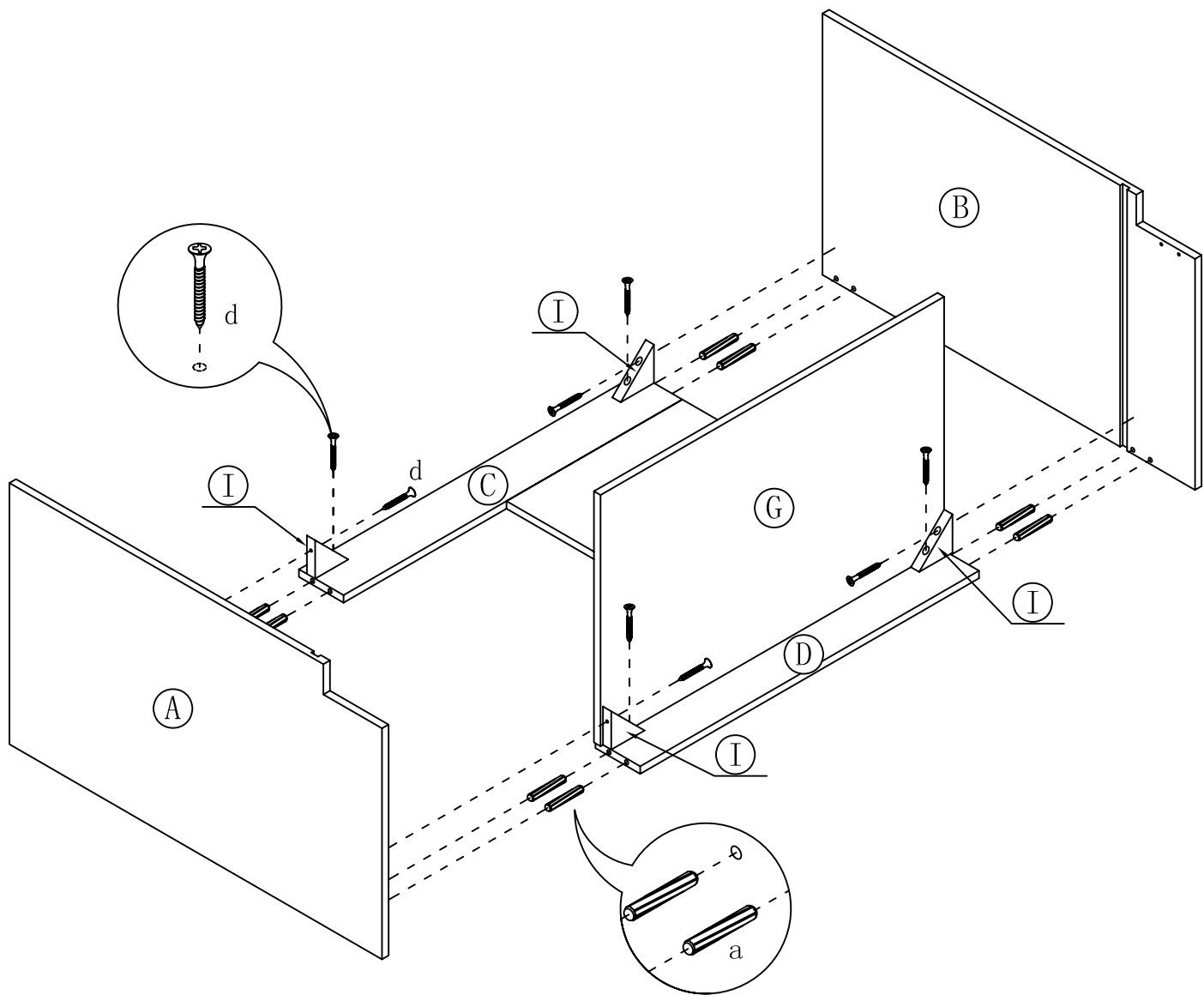


x. LOGO 1PC

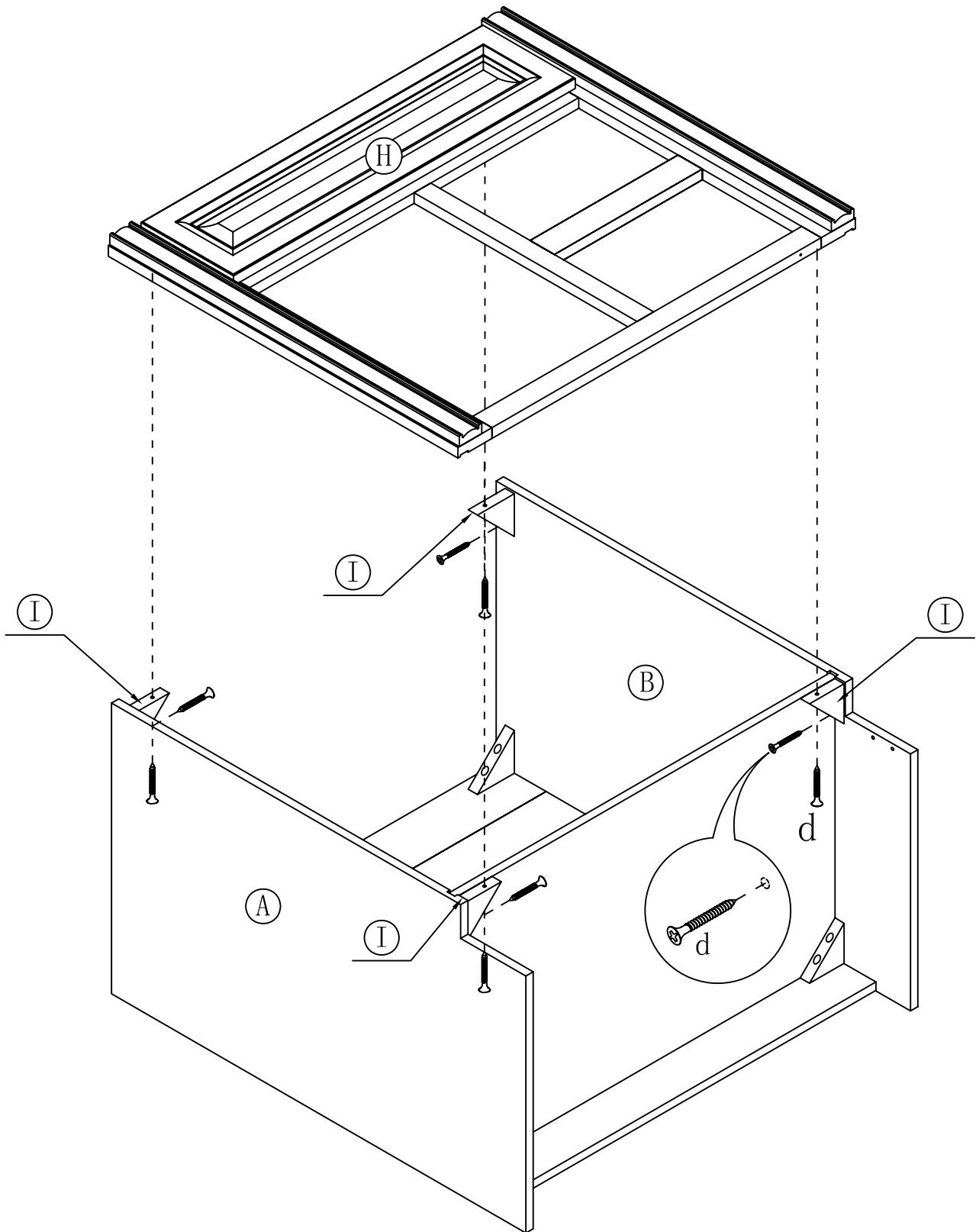
STEP 1



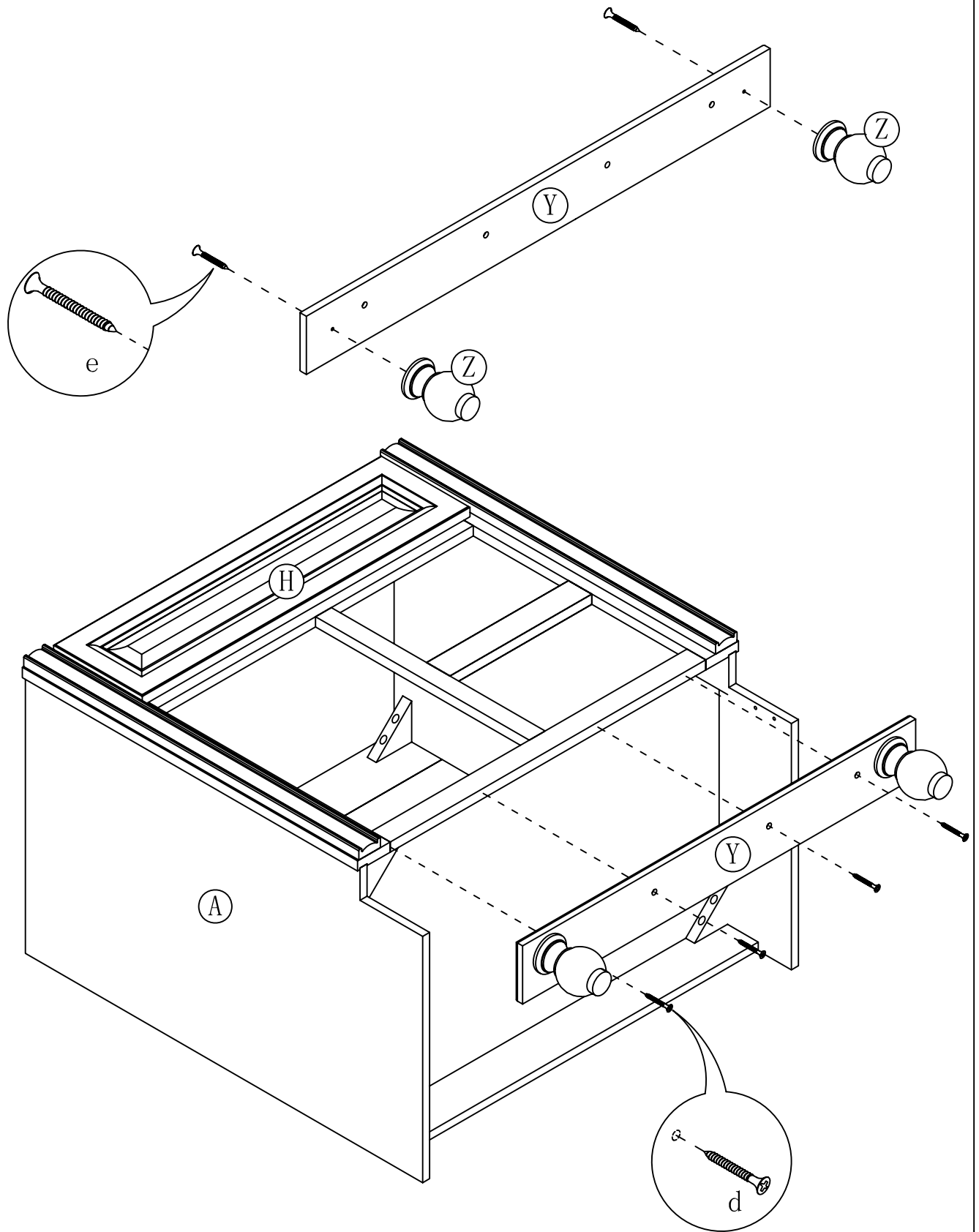
STEP 2



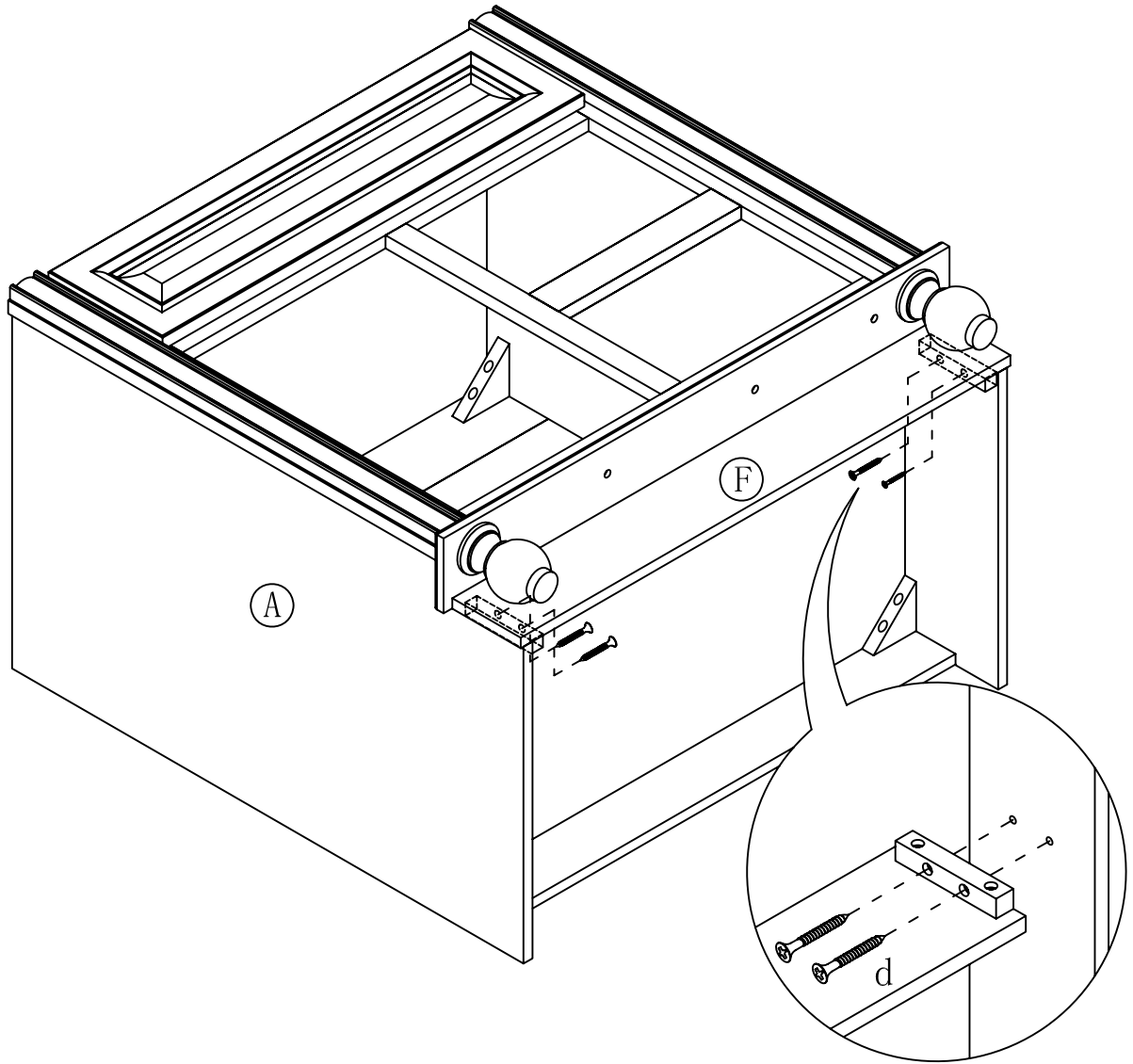
STEP 3



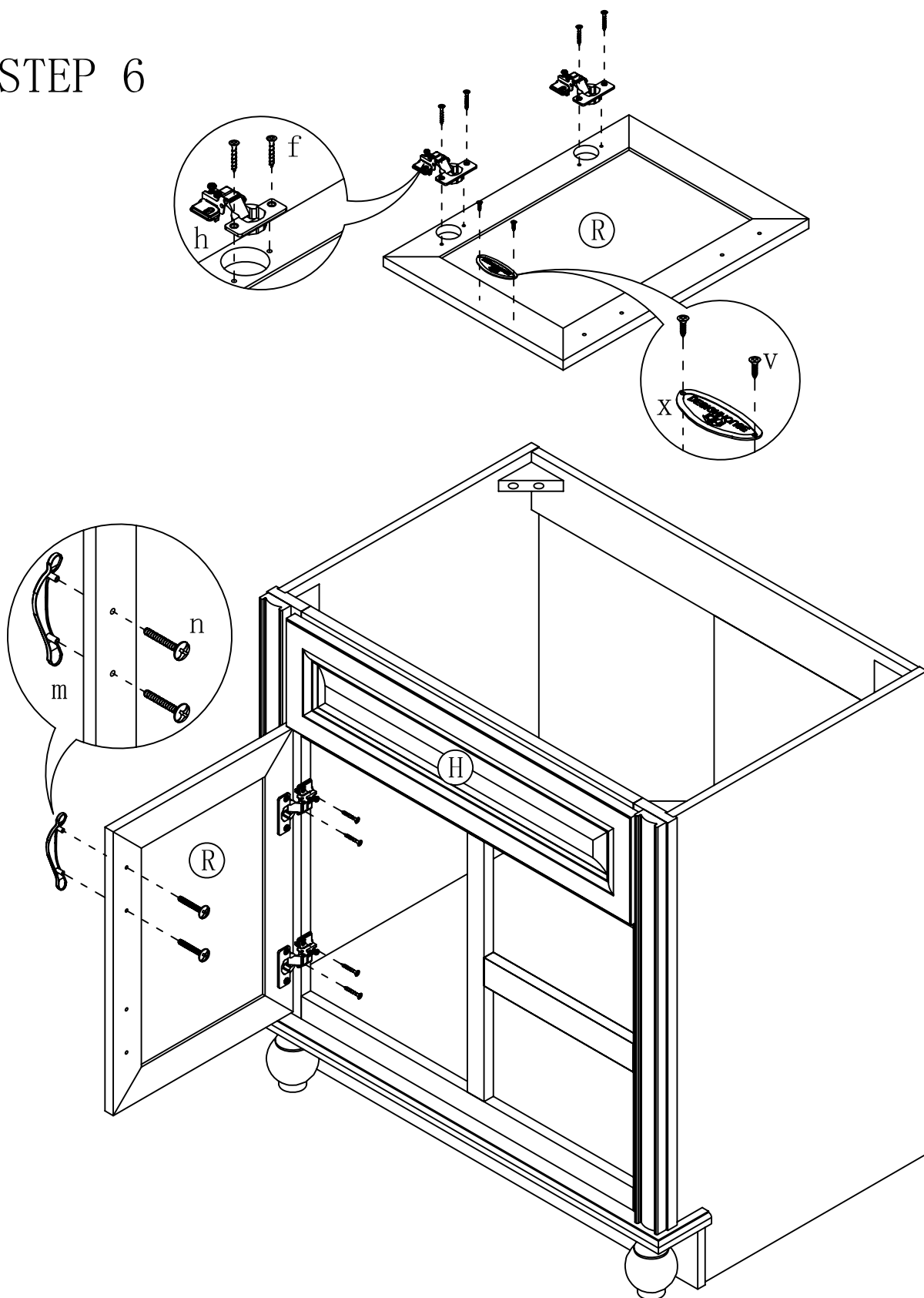
STEP 4



STEP 5

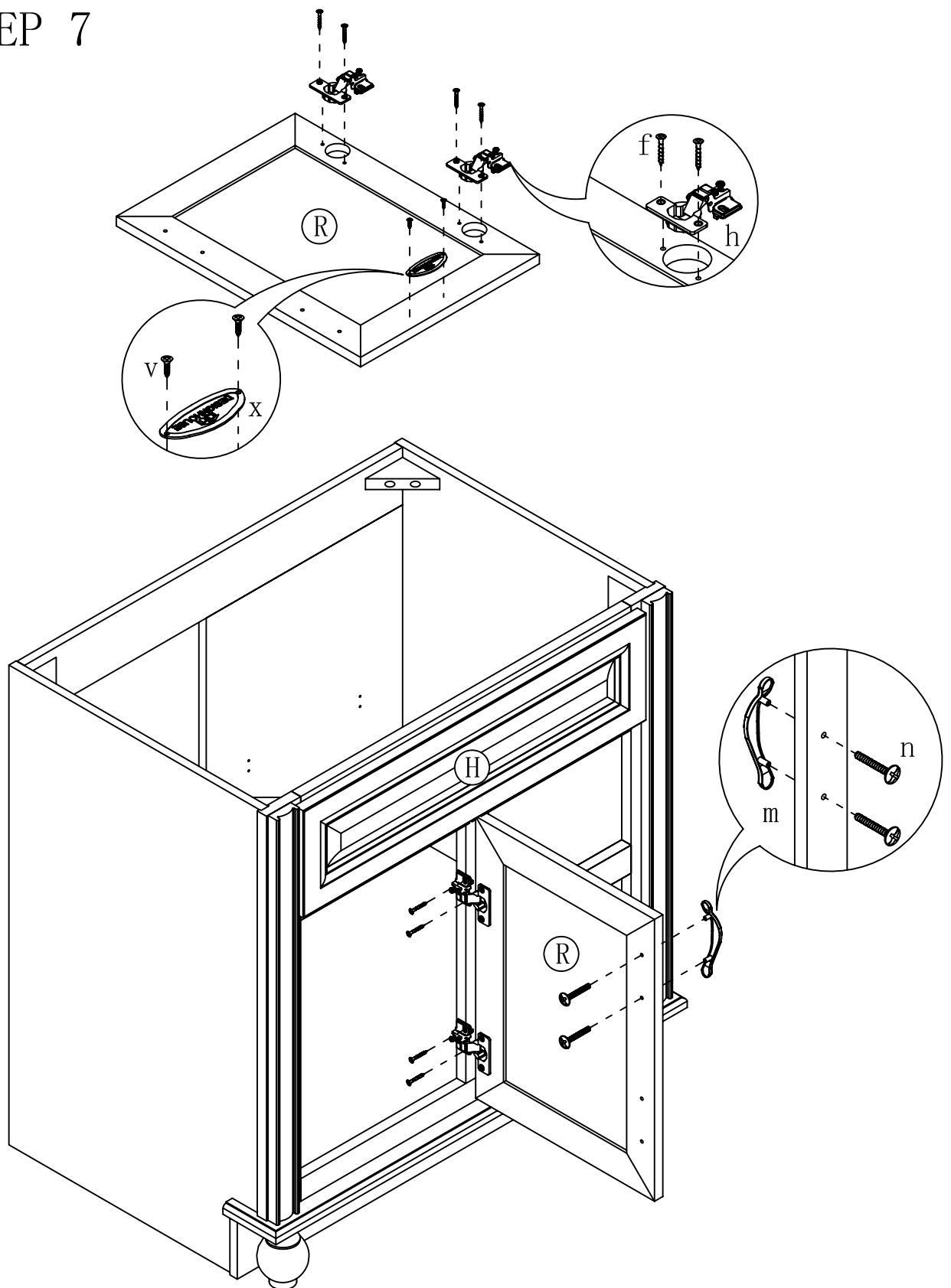


STEP 6



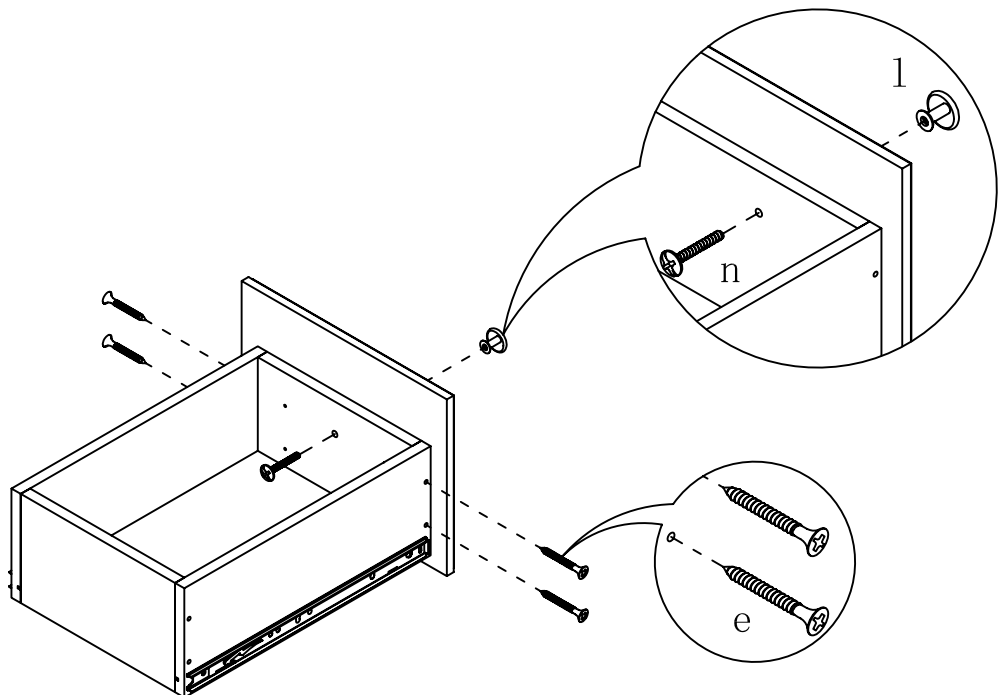
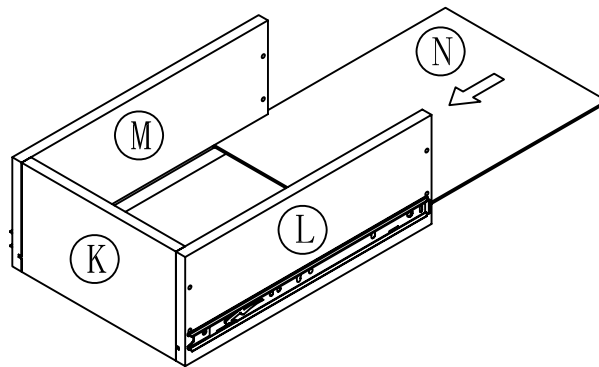
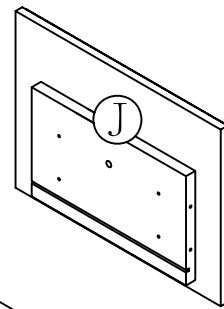
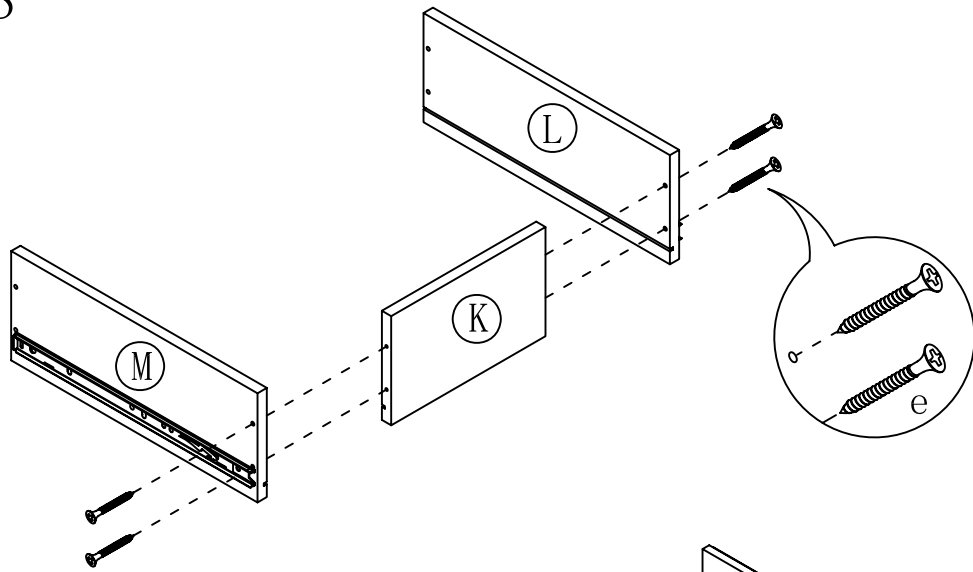
PLEASE FOLLOW STEP6 IF YOU
WOULD LIKE THE DOOR OPEN
FROM THE LEFT

STEP 7

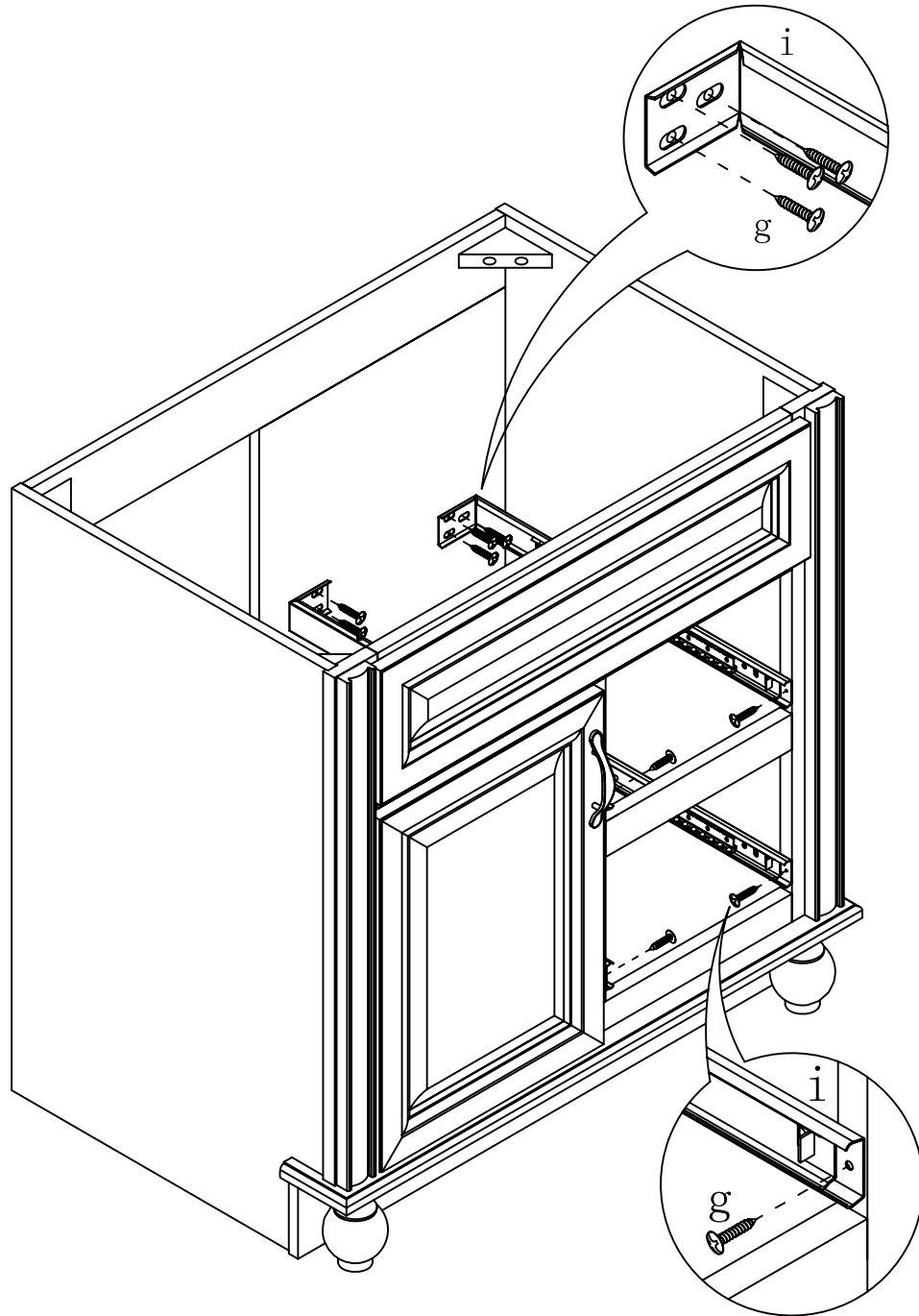


PLEASE FOLLOW STEP7 IF YOU
WOULD LIKE THE DOOR OPEN
FROM THE RIGHT

STEP 8



STEP 9



STEP 10

