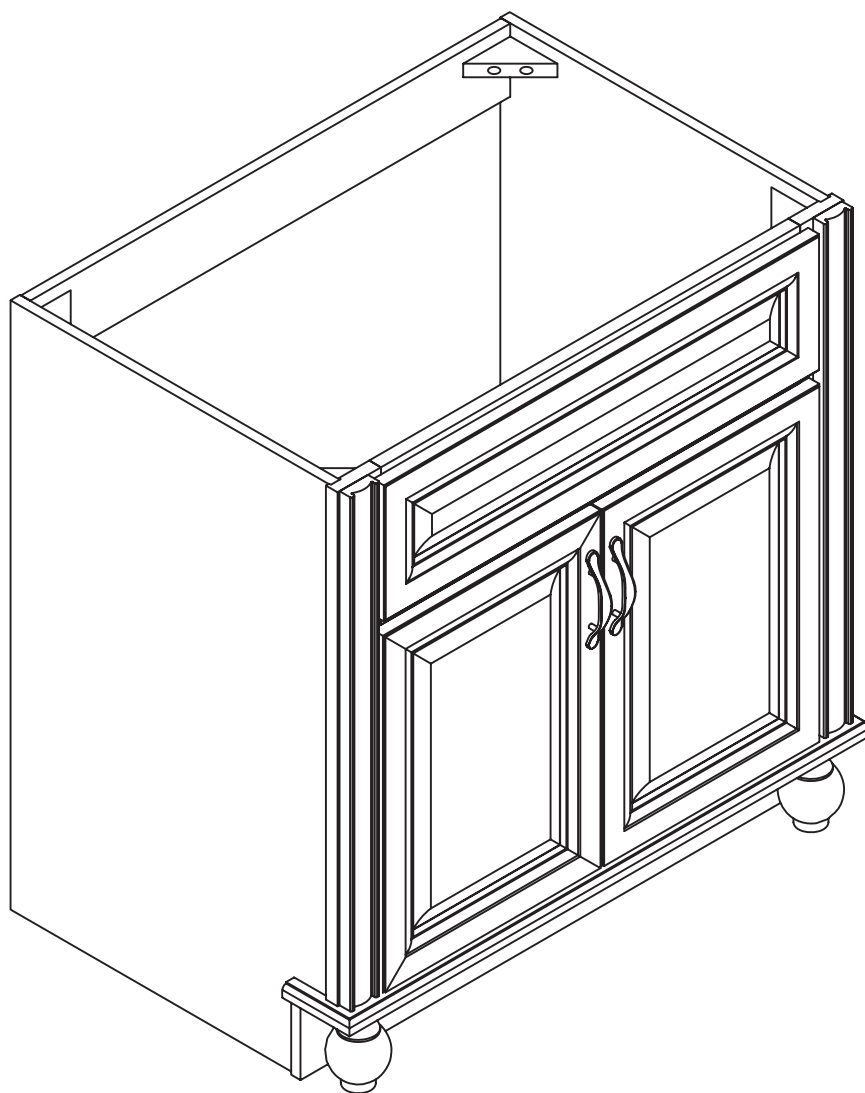




ADVANCED

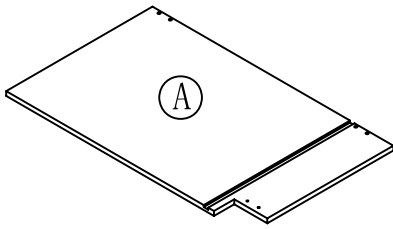
GLOBAL COMMERCE



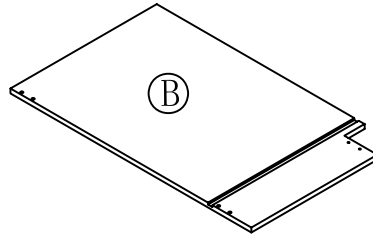
540716•540724

ASSEMBLY INSTRUCTIONS

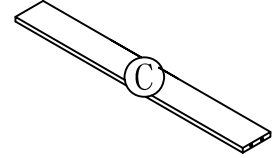
PARTS LIST:



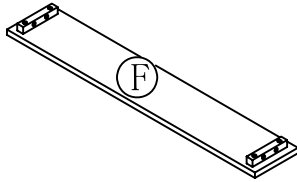
LEFT SIDE
PANEL 1PC



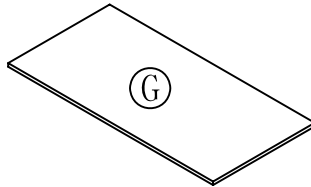
RIGHT SIDE
PANEL 1PC



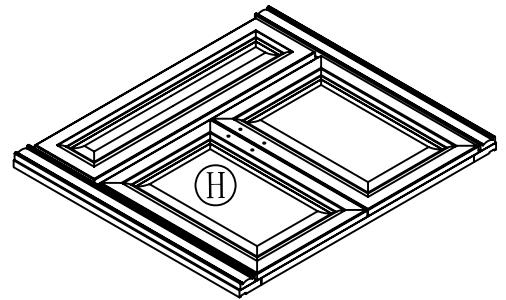
BACK CROSS
BRACE 2PCS



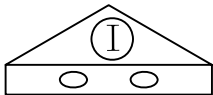
TOE KICK
PANEL 1PC



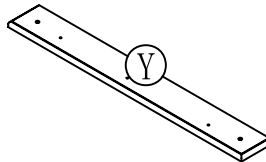
BOTTOM PANEL 1PC



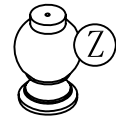
FRONT FRAME 1PC



STRENGTH BLOCK
8PCS



FRONT CROSS
BRACE 1PC



FOOT 2PCS

HARDWARE LIST:



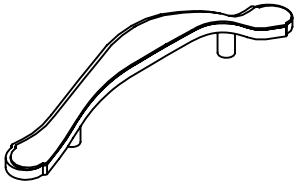
a. WOOD DOWEL 8PCS



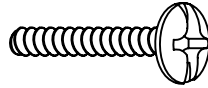
d. 1" L FLAT HEAD
SCREW 23PCS



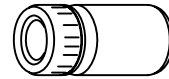
e. 1-1/2" L FLAT HEAD
SCREW 2PCS



m. HANDLE 2PCS

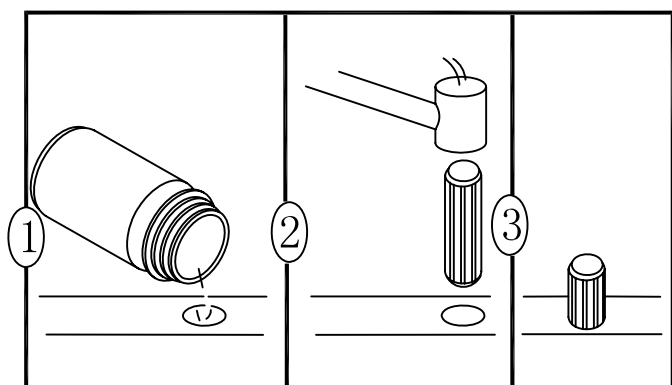
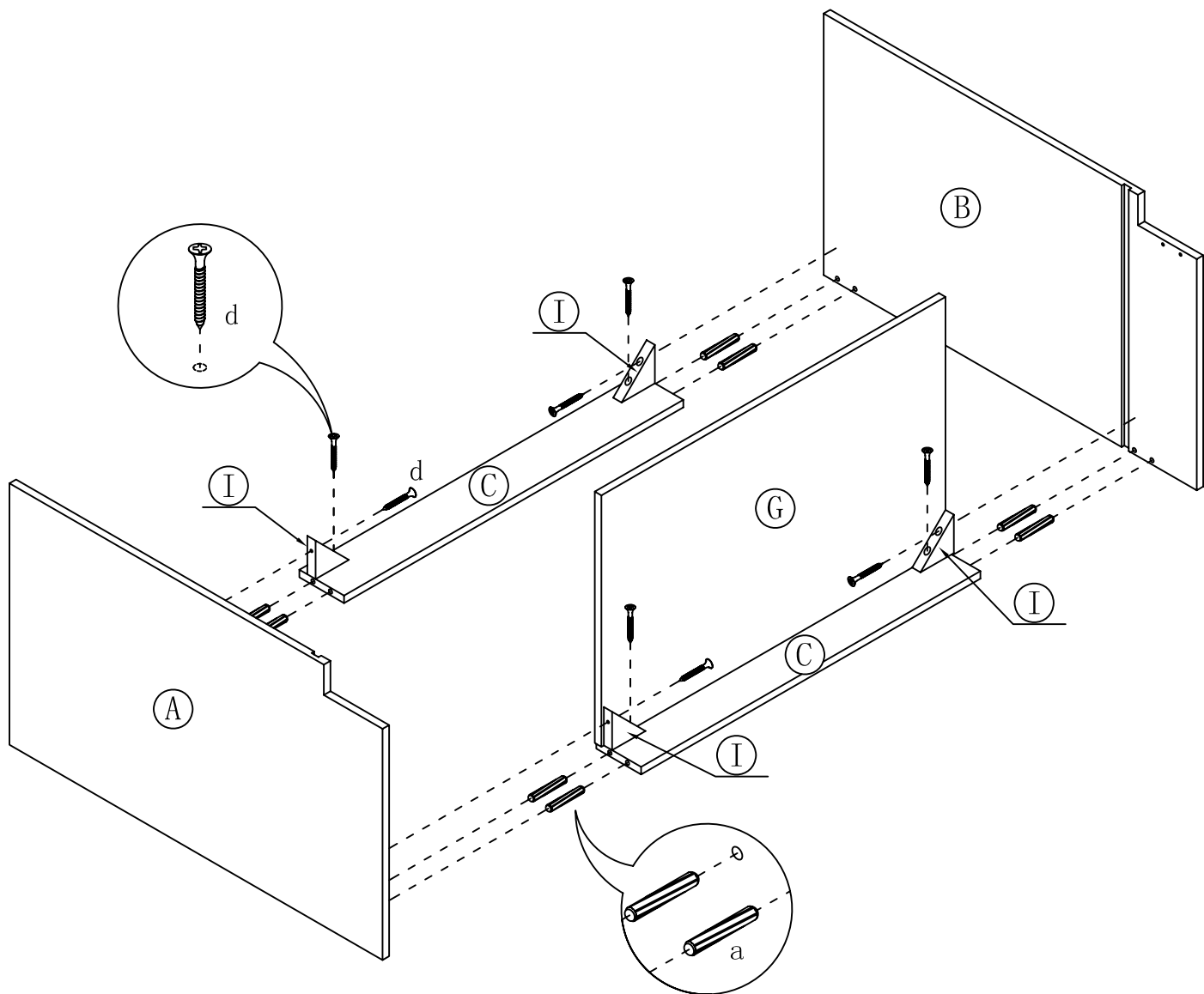


n. HANDLE BOLT 4PCS

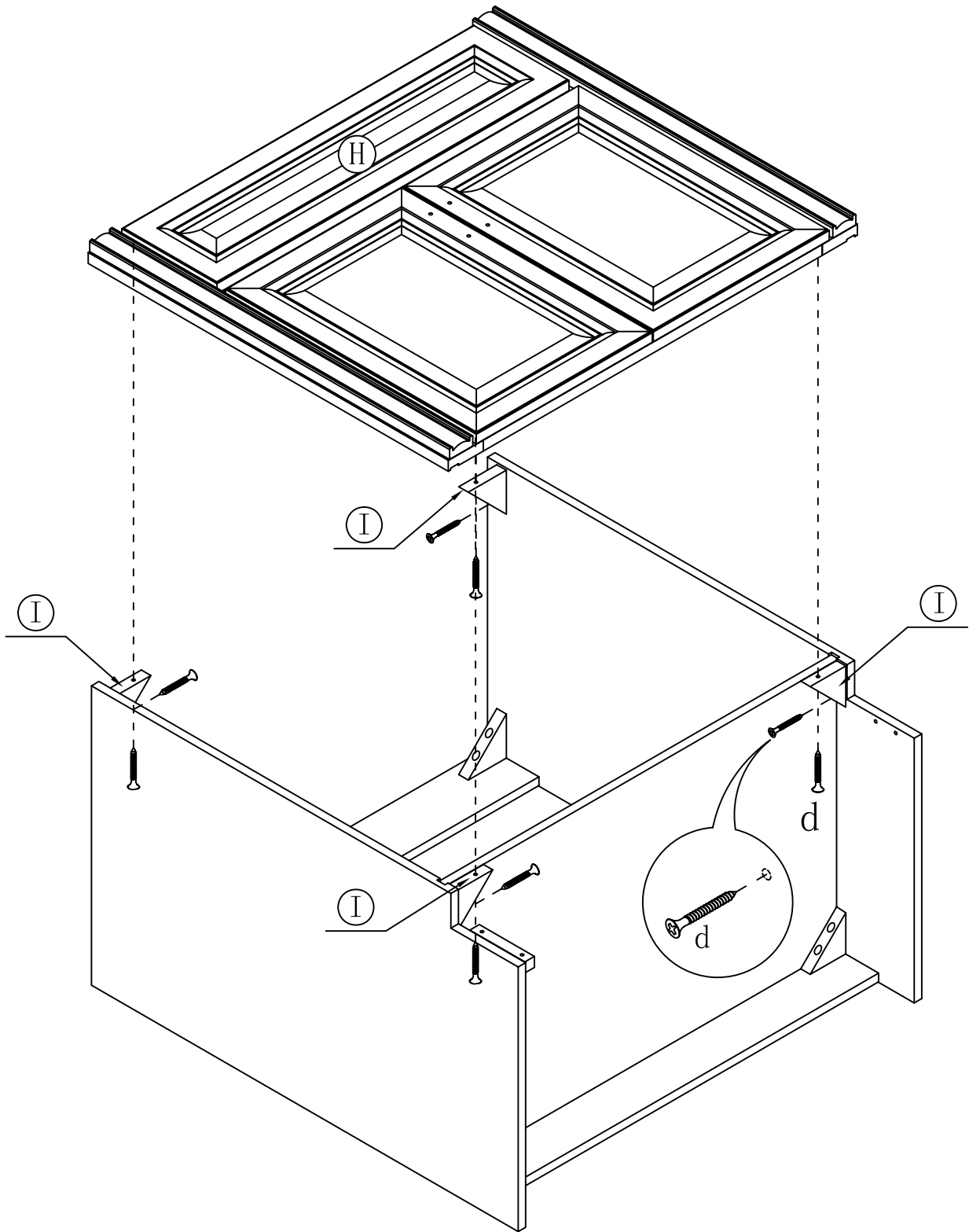


p. GLUE 1PC

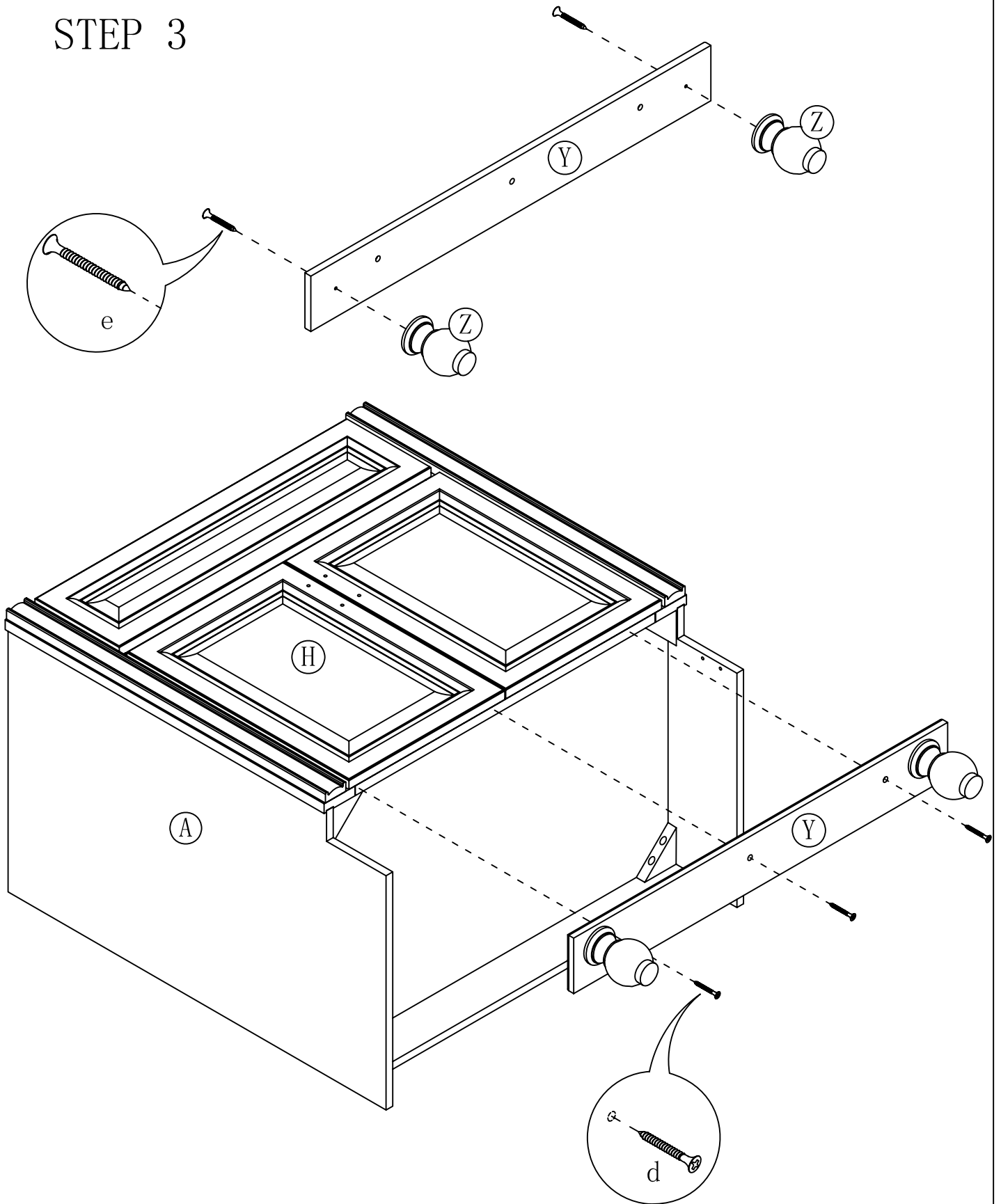
STEP 1



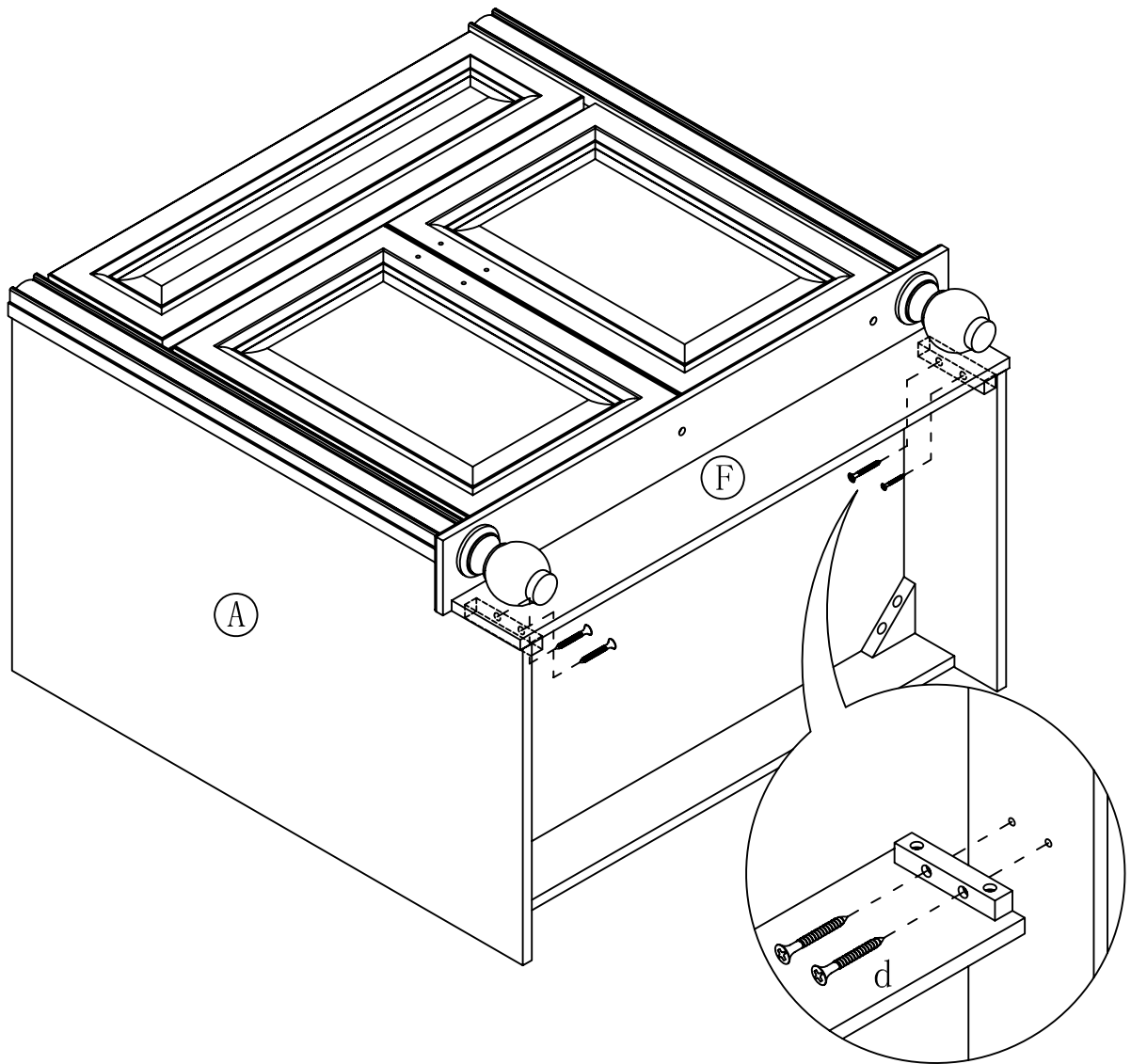
STEP 2



STEP 3



STEP 4



STEP 5

