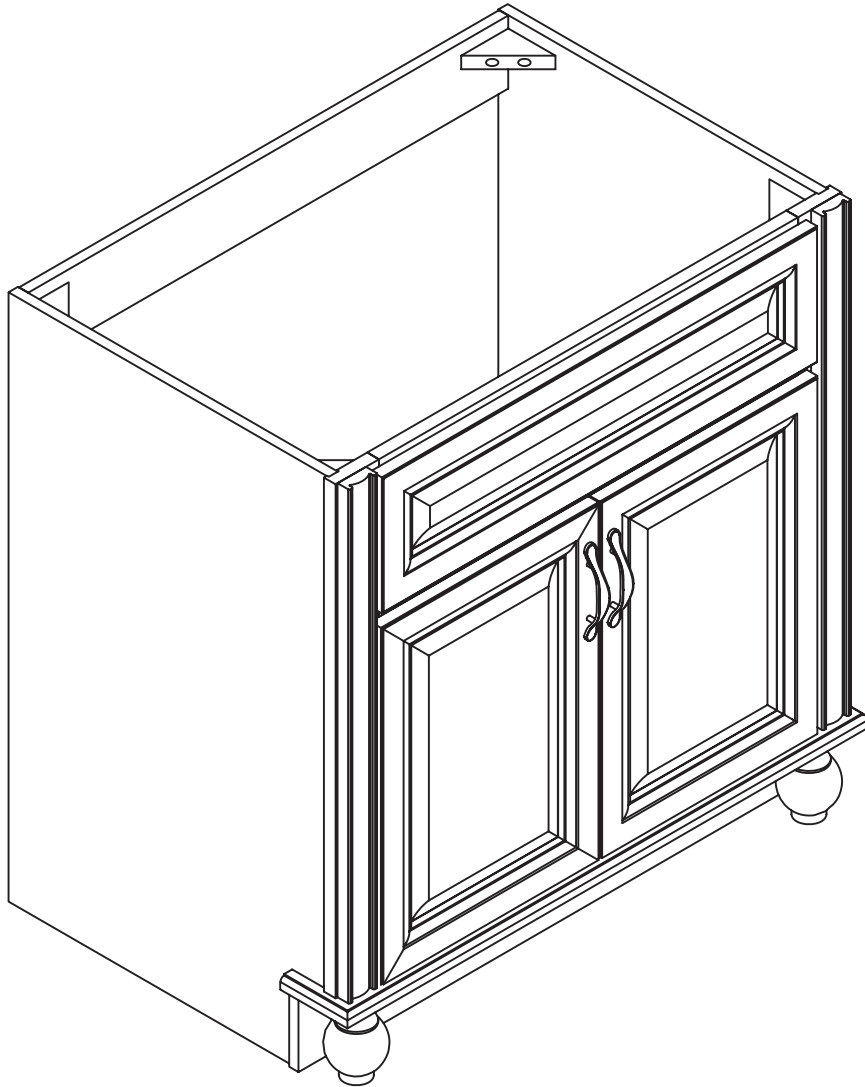




**ADVANCED**  
GLOBAL COMMERCE

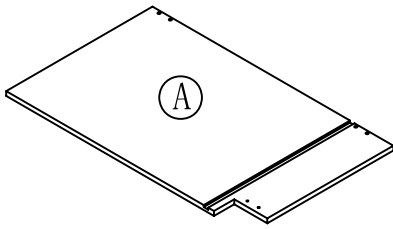
---



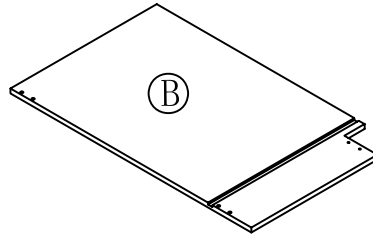
540716 • 540724

# ASSEMBLY INSTRUCTIONS

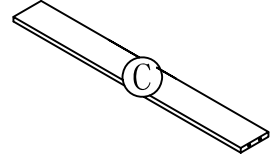
# PARTS LIST:



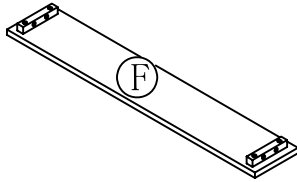
LEFT SIDE  
PANEL 1PC



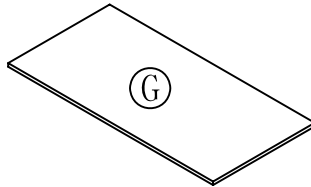
RIGHT SIDE  
PANEL 1PC



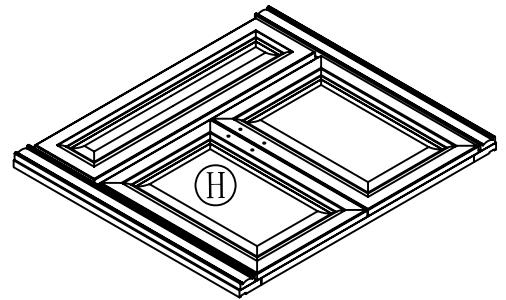
BACK CROSS  
BRACE 2PCS



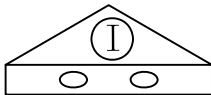
TOE KICK  
PANEL 1PC



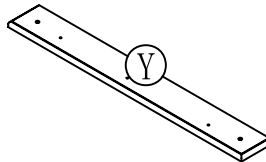
BOTTOM PANEL 1PC



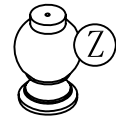
FRONT FRAME 1PC



STRENGTH BLOCK  
8PCS



FRONT CROSS  
BRACE 1PC



FOOT 2PCS

# HARDWARE LIST:



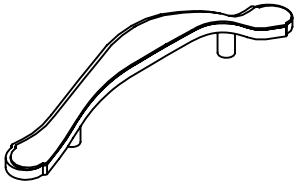
a. WOOD DOWEL 8PCS



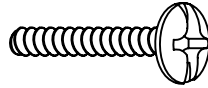
d. 1" L FLAT HEAD  
SCREW 23PCS



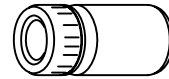
e. 1-1/2" L FLAT HEAD  
SCREW 2PCS



m. HANDLE 2PCS

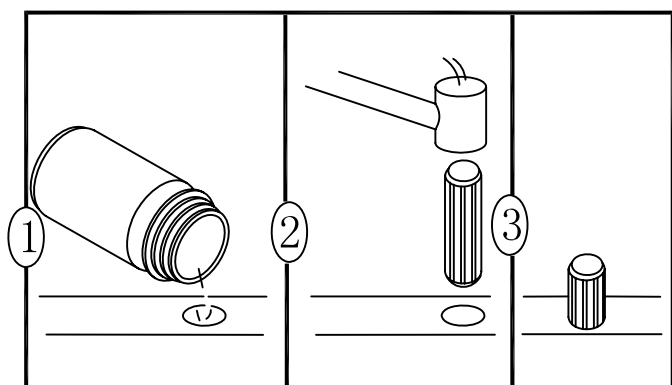
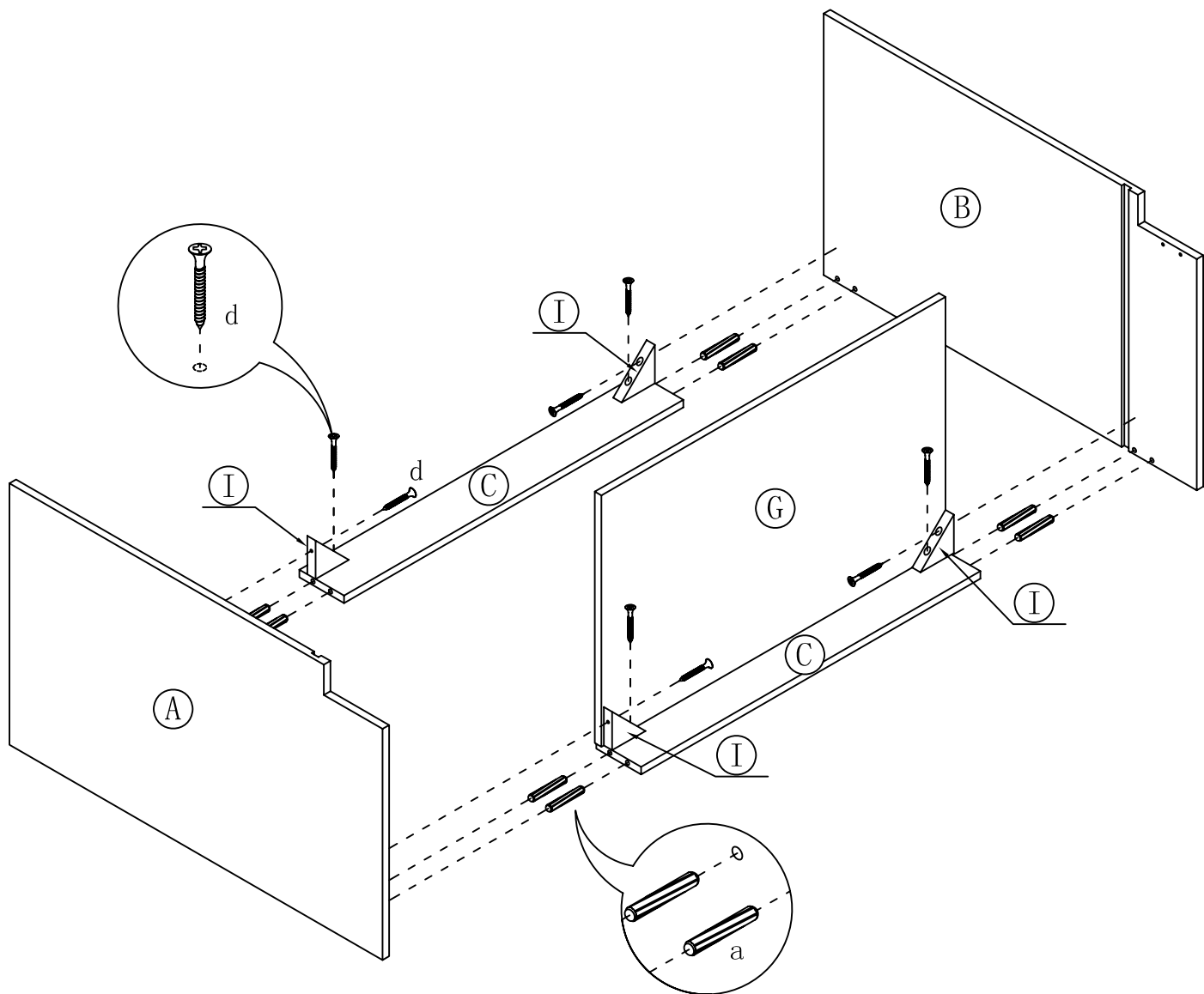


n. HANDLE BOLT 4PCS

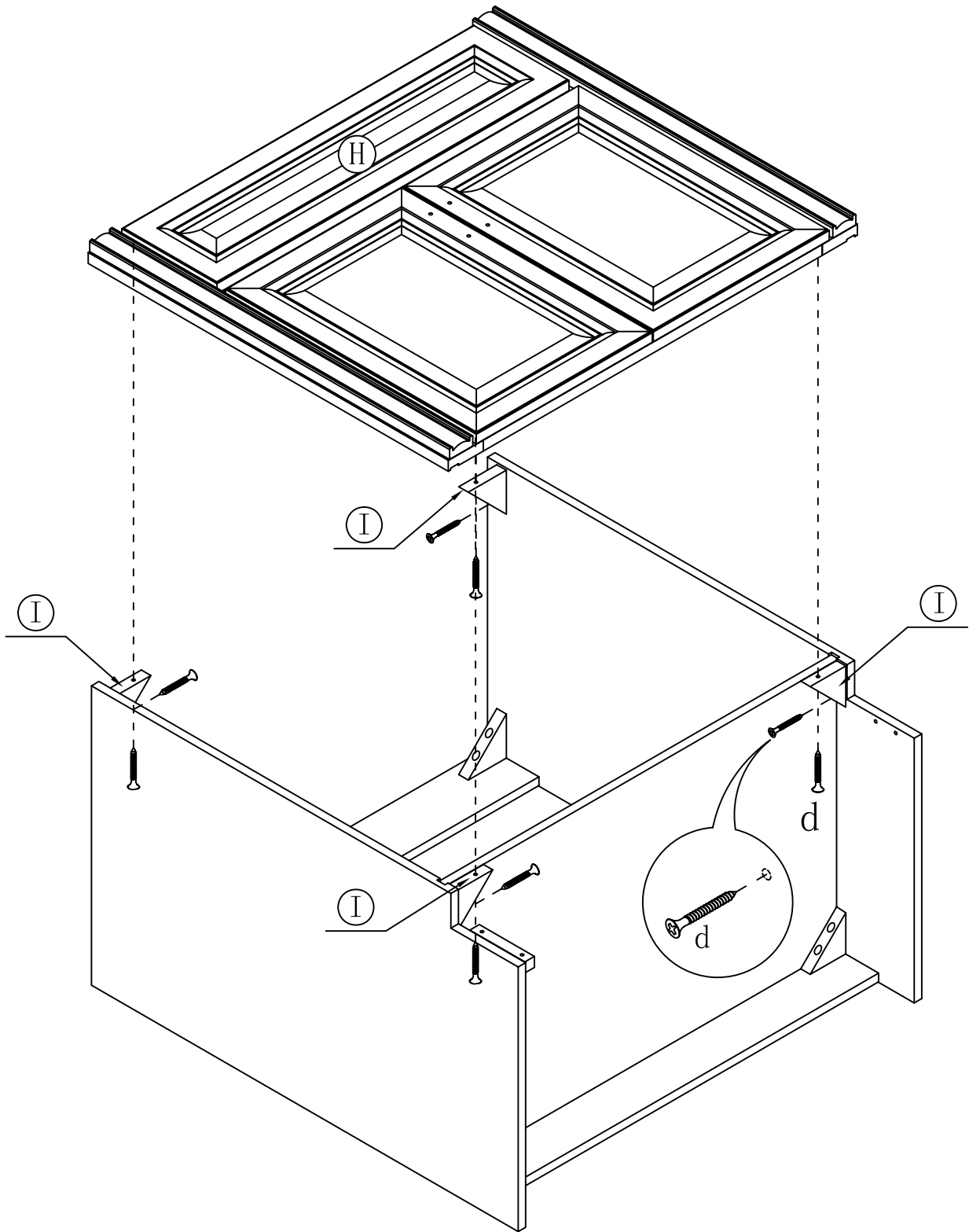


p. GLUE 1PC

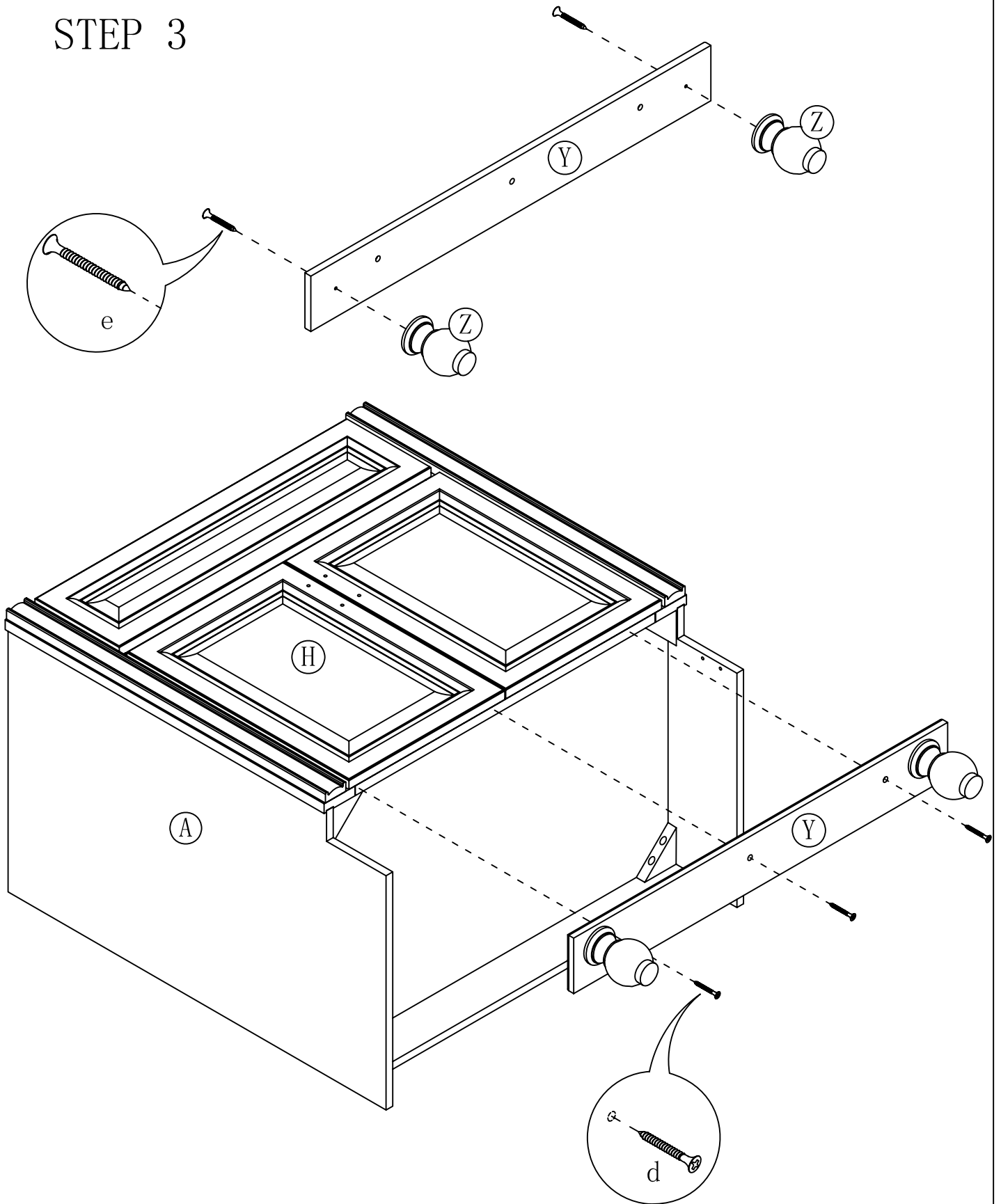
# STEP 1



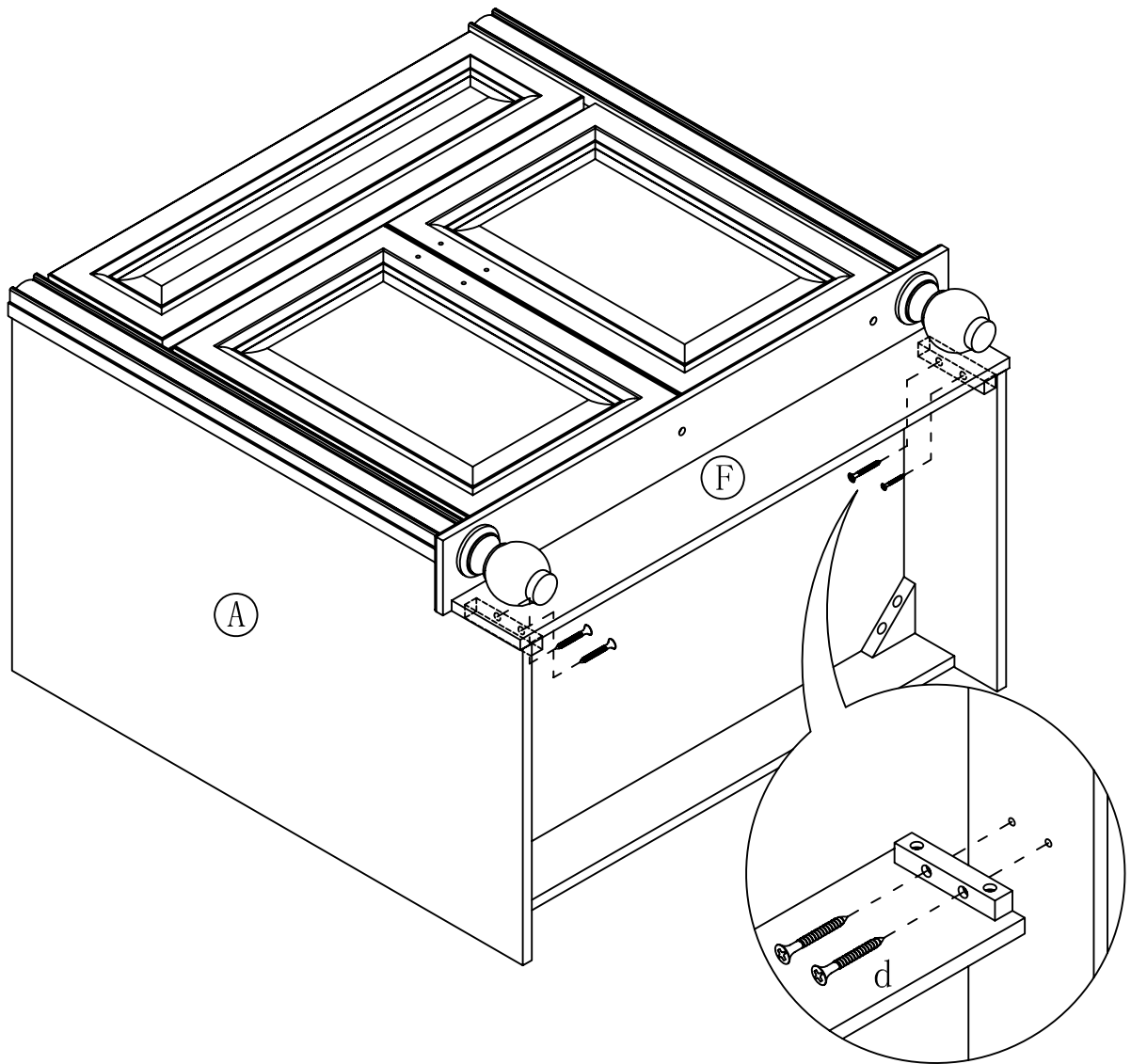
# STEP 2



# STEP 3



# STEP 4



# STEP 5

