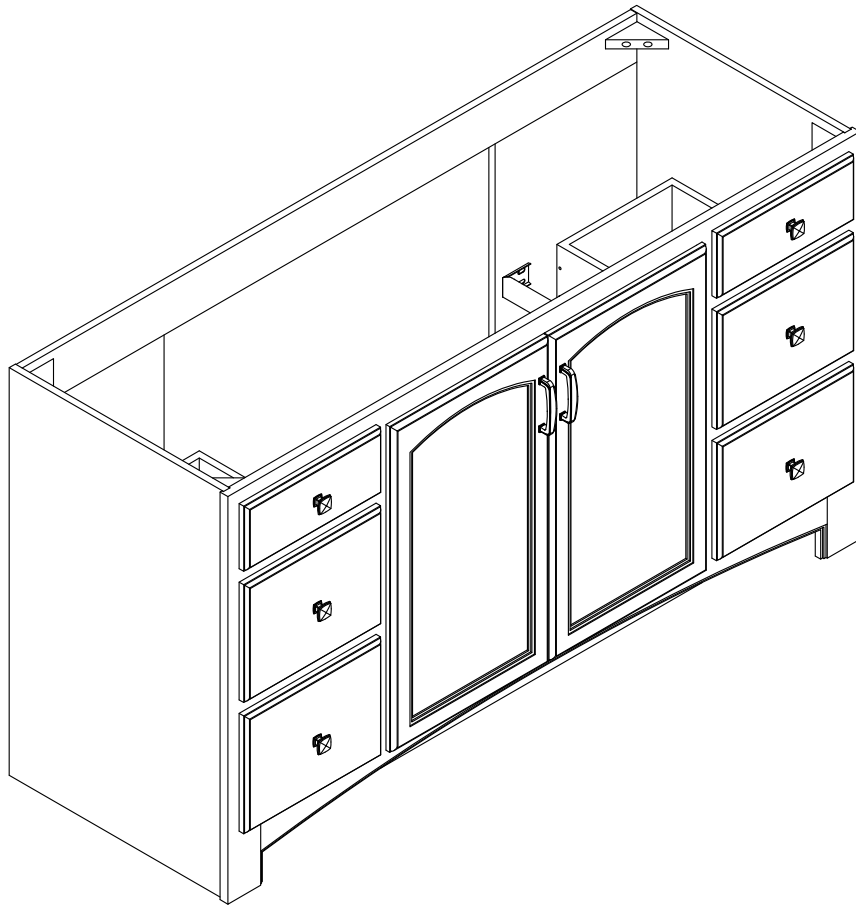




www.todaysdesignhouse.com

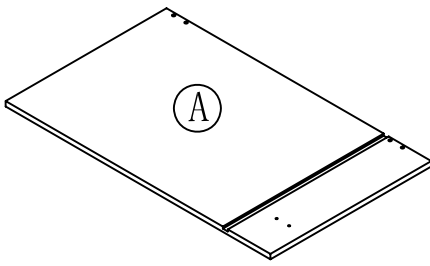


540831 • 540823

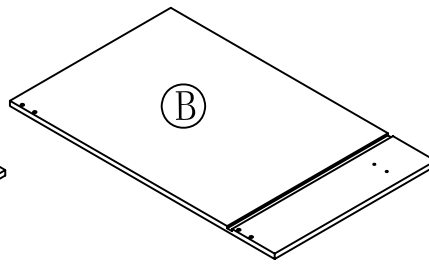
ASSEMBLY INSTRUCTIONS

DHI Corp. • 5205 W. Donges Bay Rd. • Mequon, WI 53092 • 800.558.8700

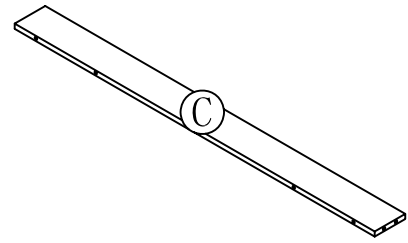
PARTS LIST:



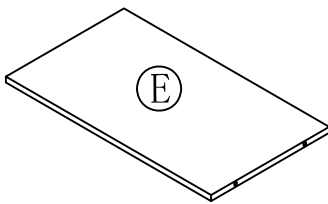
LEFT SIDE PANEL 1PC



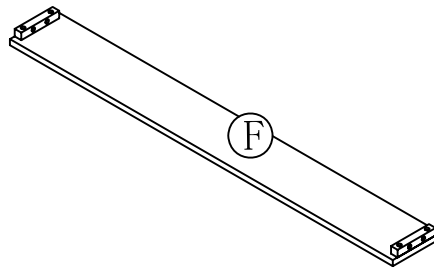
RIGHT SIDE PANEL 1PC



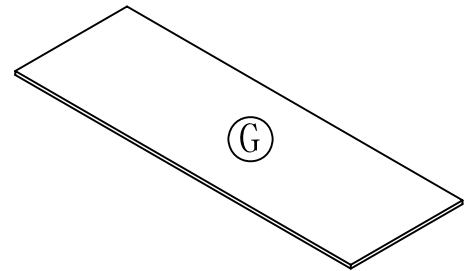
BACK CROSS BRACE 2PCS



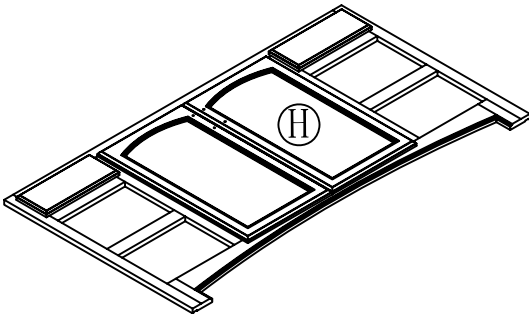
BACK PARTITION PANEL 2PCS



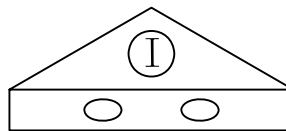
TOE KICK PANEL 1PC



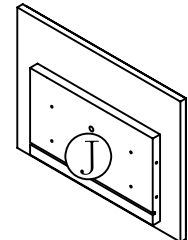
BOTTOM PANEL 1PC



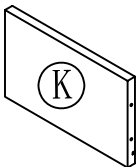
FRONT FRAME 1PC



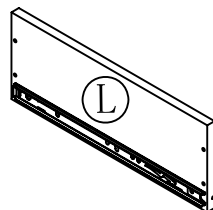
STRENGTH BLOCK 8PCS



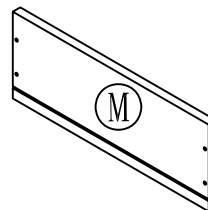
DRAWER FRONT PANEL 4PCS



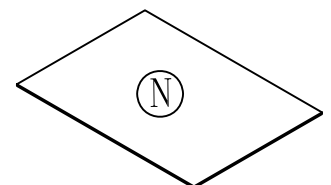
DRAWER BACK PANEL 4PCS



DRAWER LEFT SIDE PANEL 4PCS



DRAWER RIGHT SIDE PANEL 4PCS



DRAWER BOTTOM PANEL 4PCS

HARDWARE LIST:



a. WOOD DOWEL 16PCS



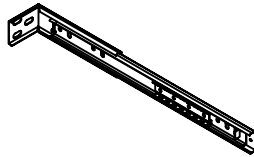
d. 1" FLAT HEAD
SCREW 20PCS



e. 1-1/2" FLAT HEAD
SCREW 32PCS



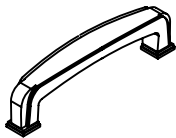
g. 1/2"L ROUND HEAD
SCREW 32PCS



i. DRAWER GUIDE 8PCS



l. KNOB 6PCS



m. HANDLE 2PCS

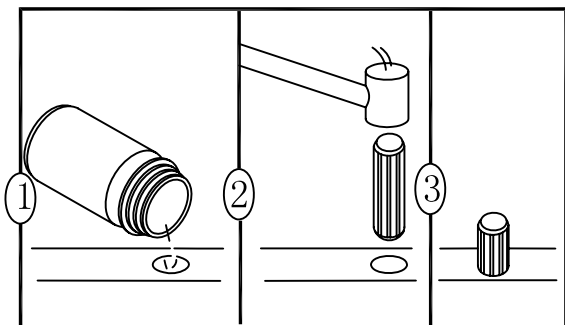
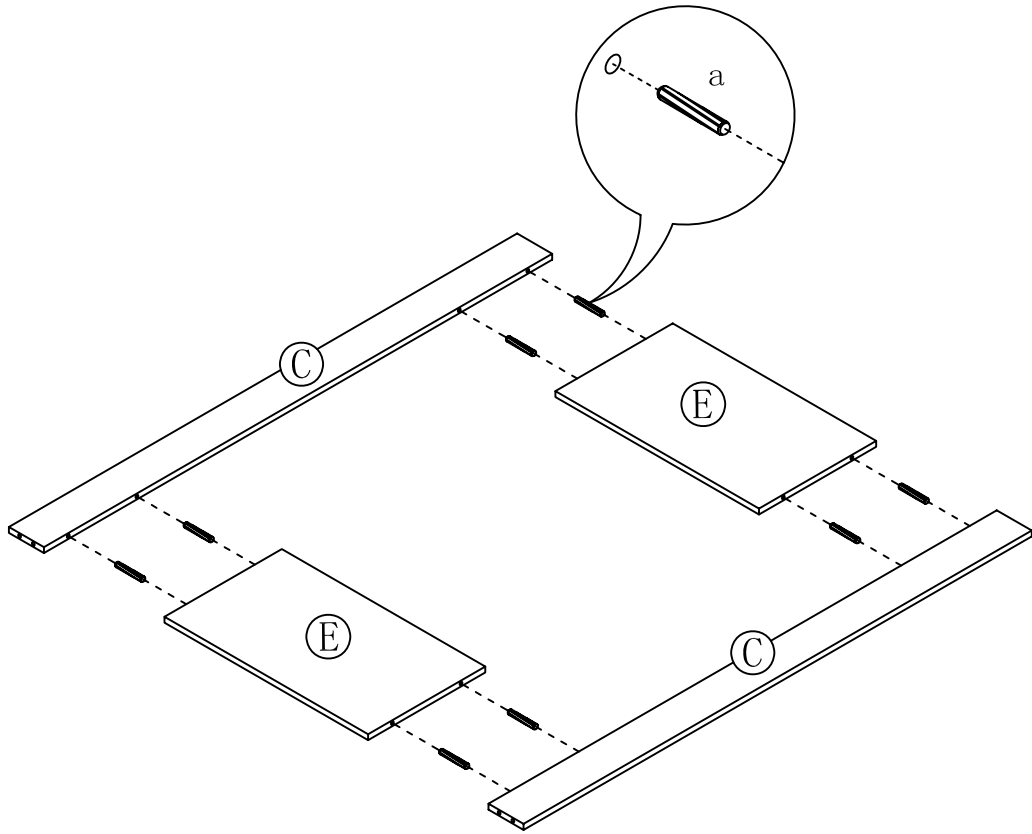


n. HANDLE (KNOB) BOLT 10PCS

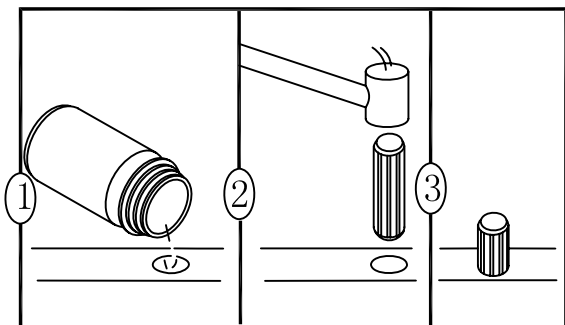
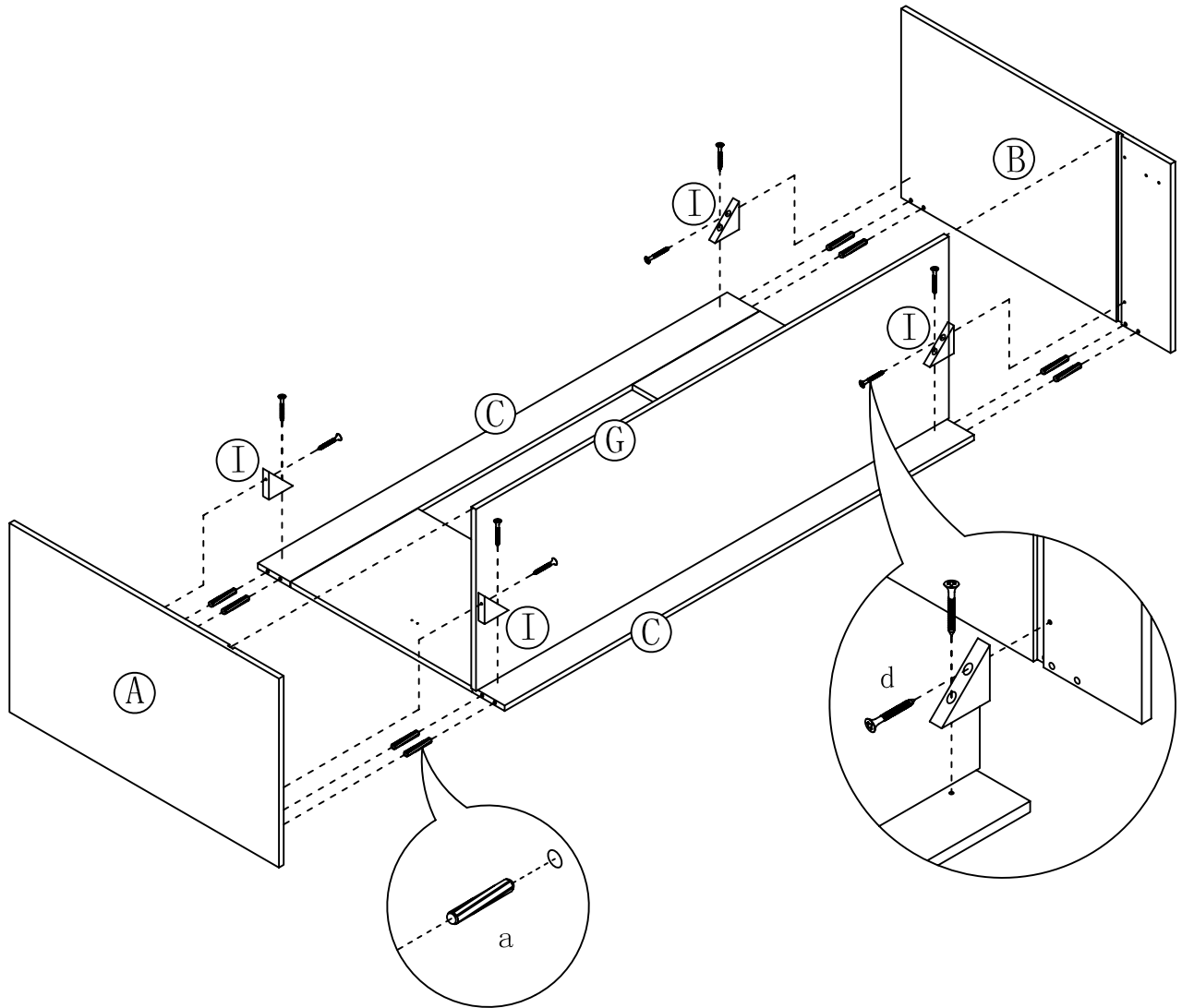


p. GLUE 1PC

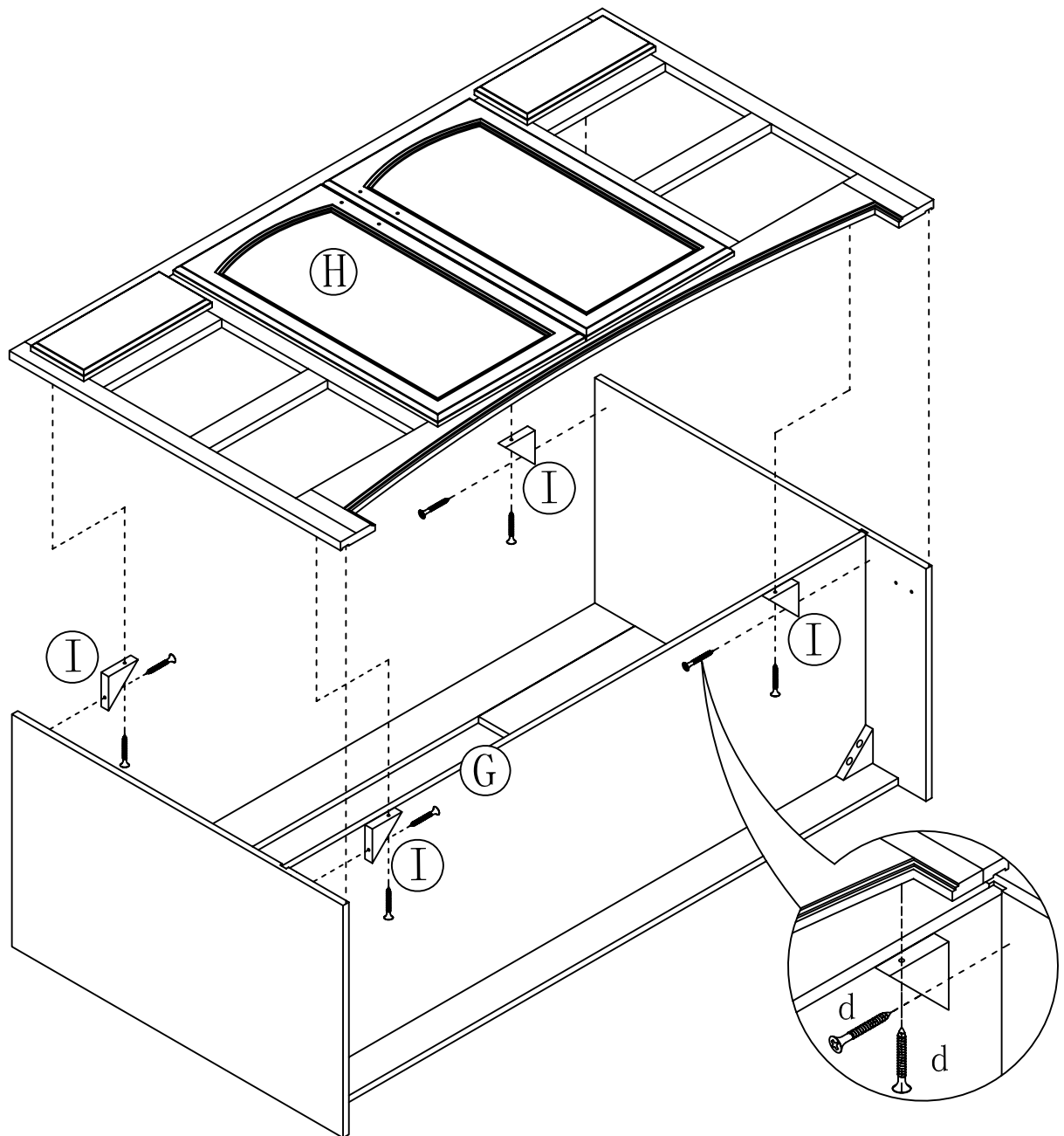
STEP 1



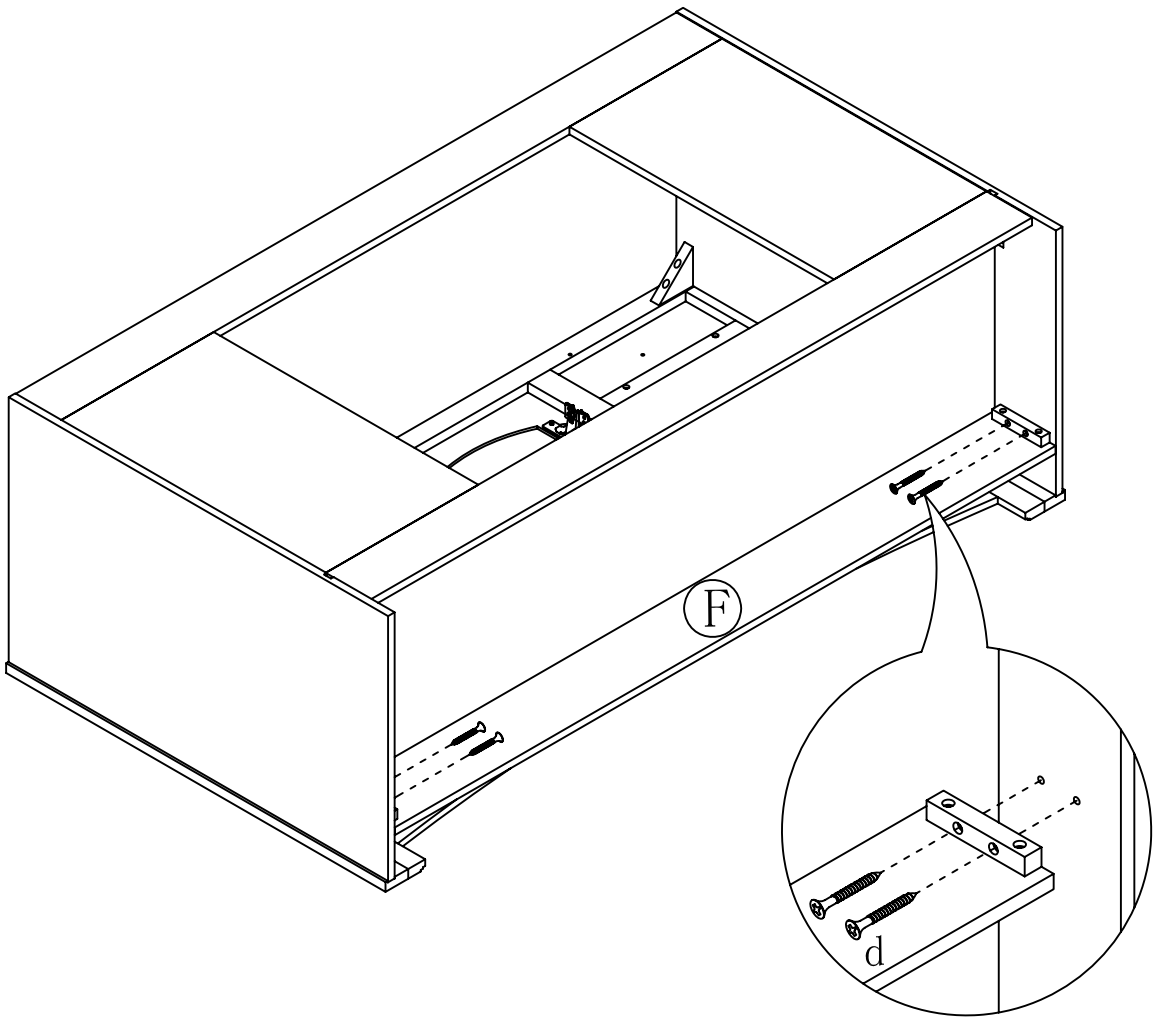
STEP 2



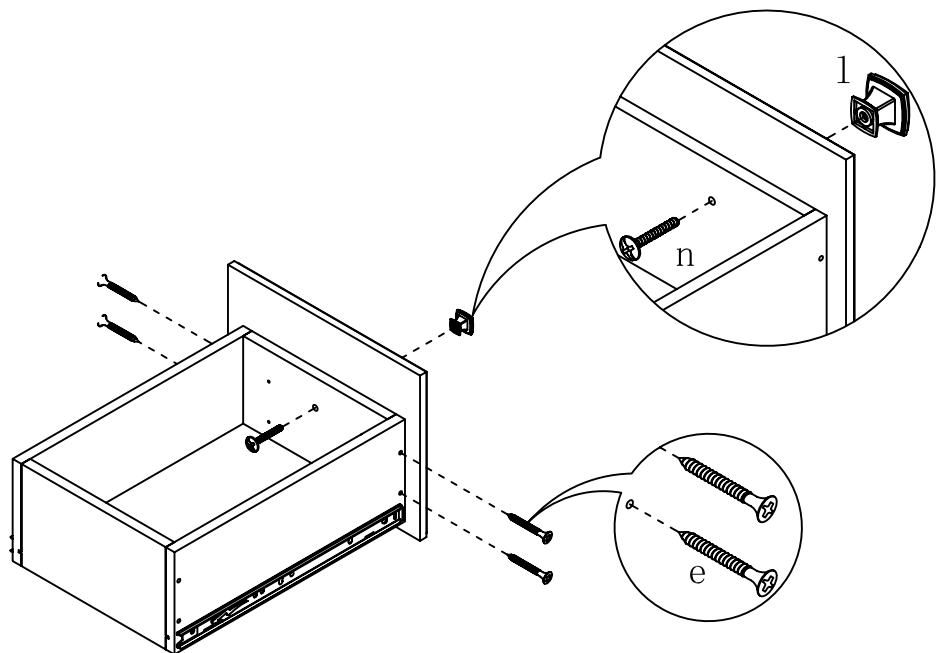
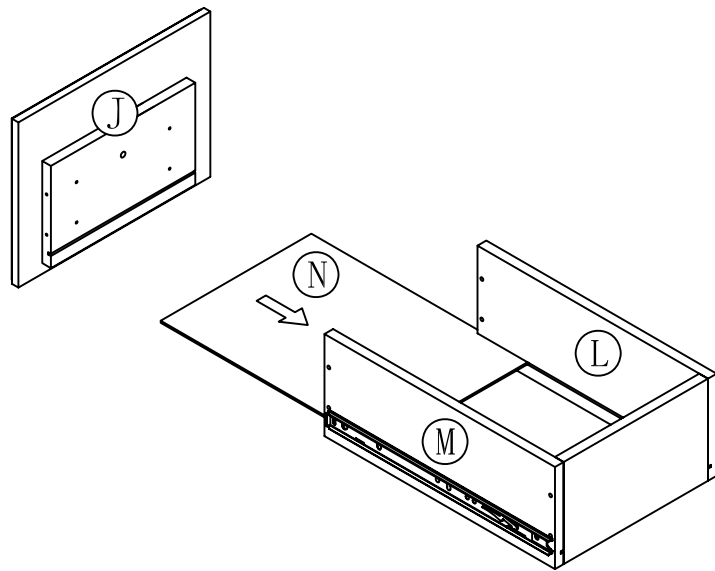
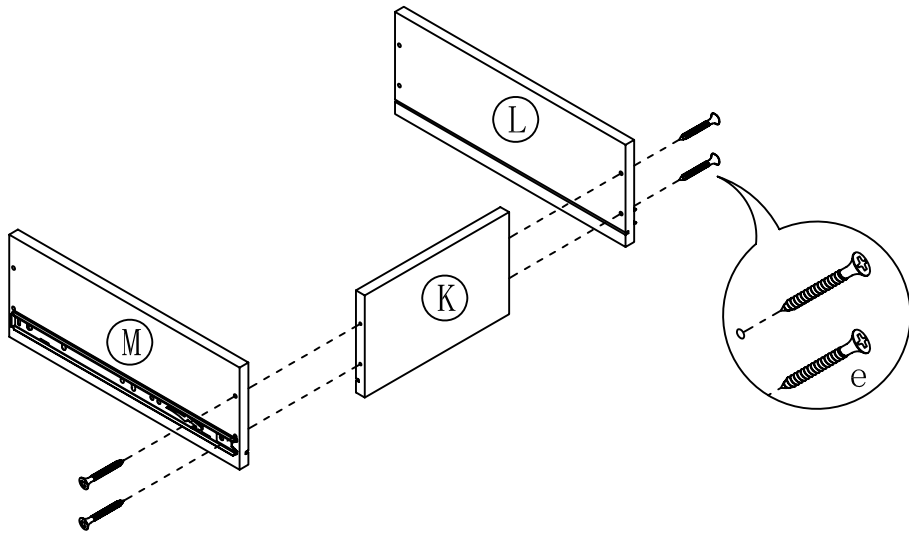
STEP 3



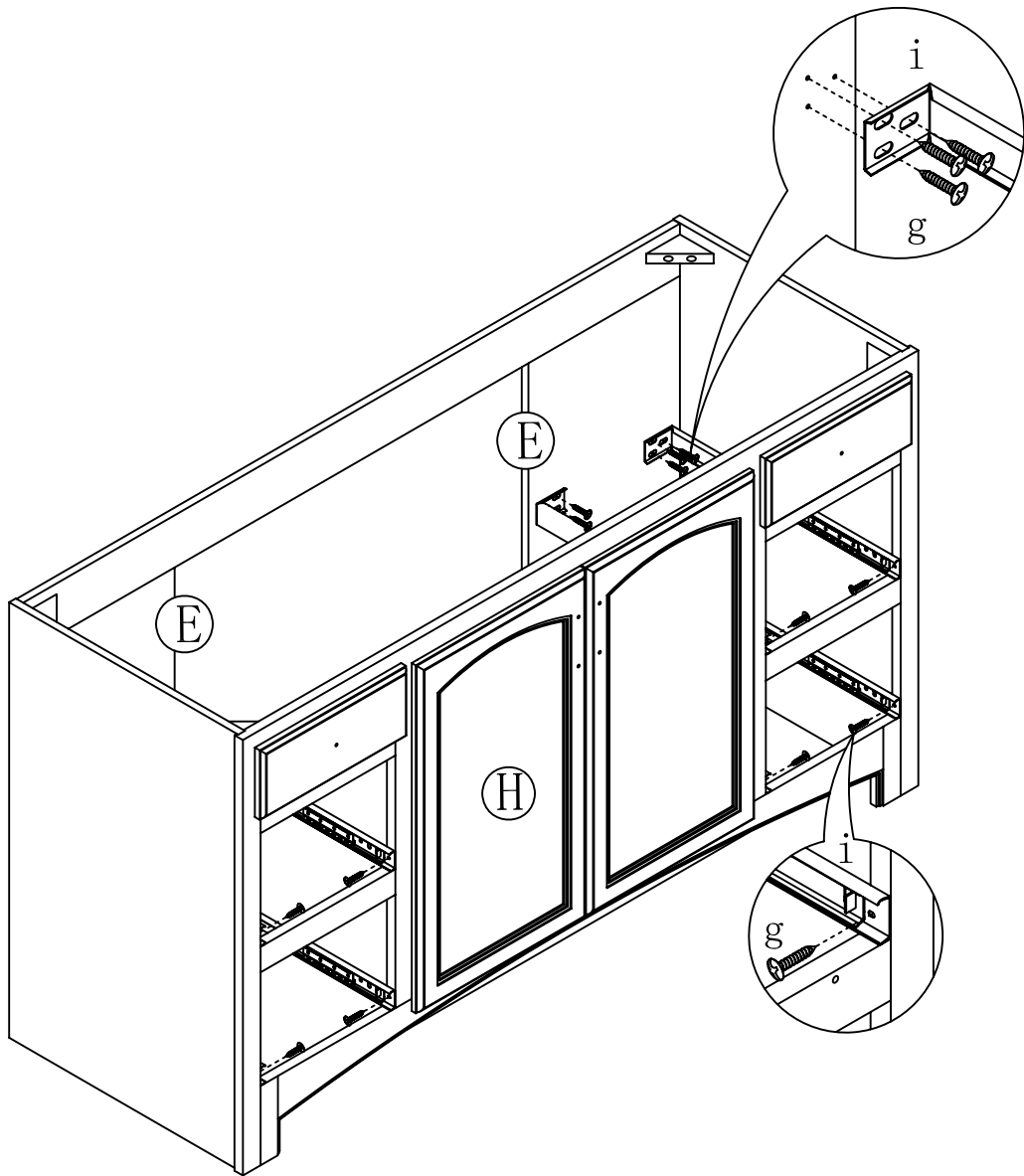
STEP 4



STEP 6



STEP 5



STEP 7

