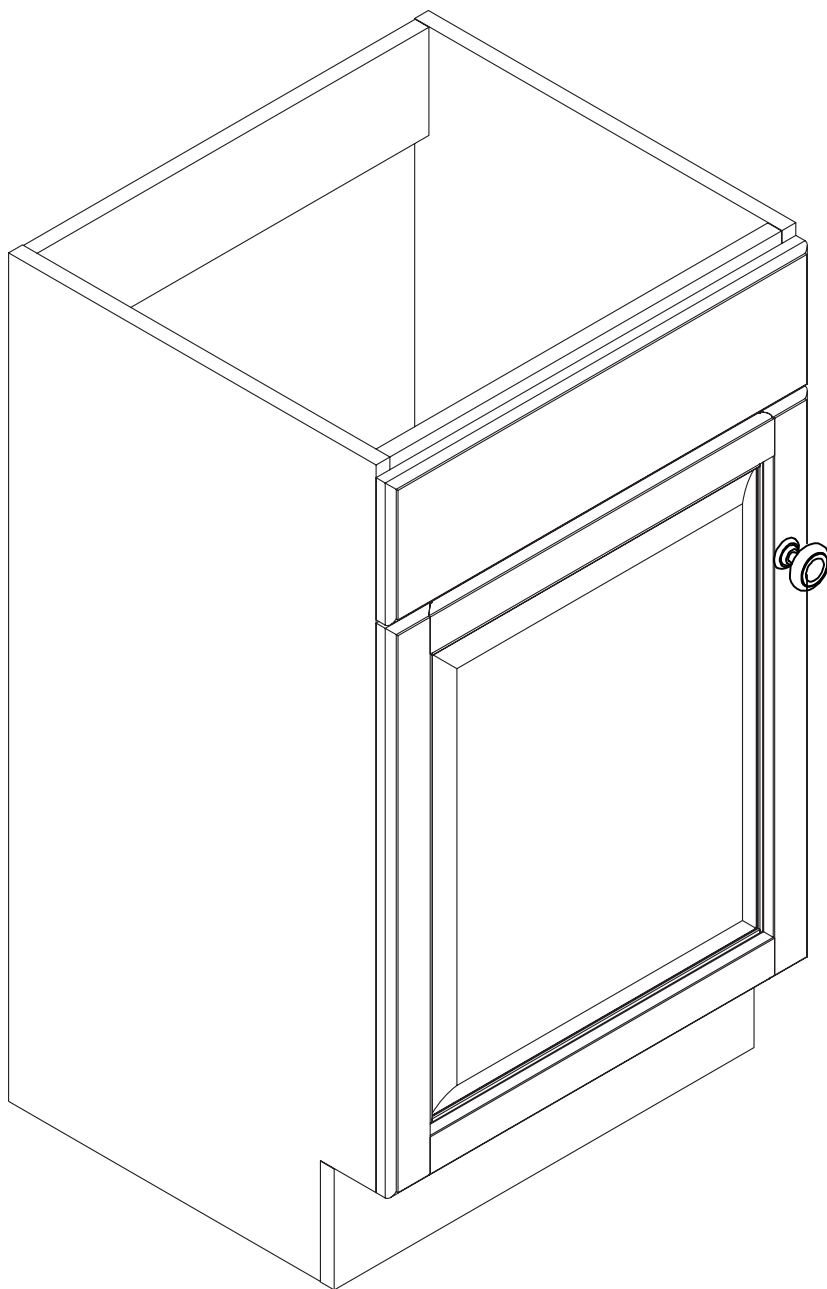




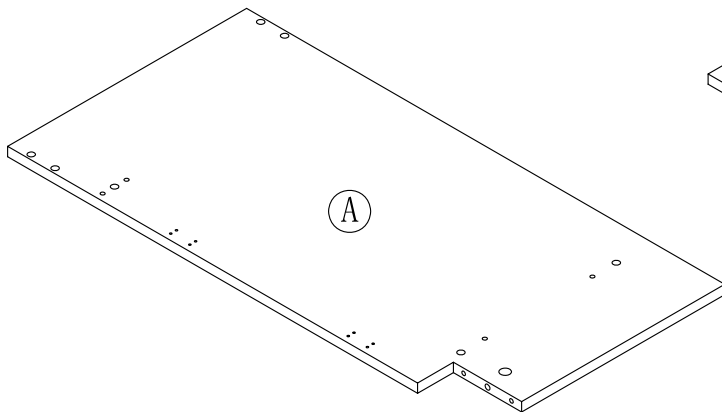
ADVANCED
GLOBAL COMMERCE



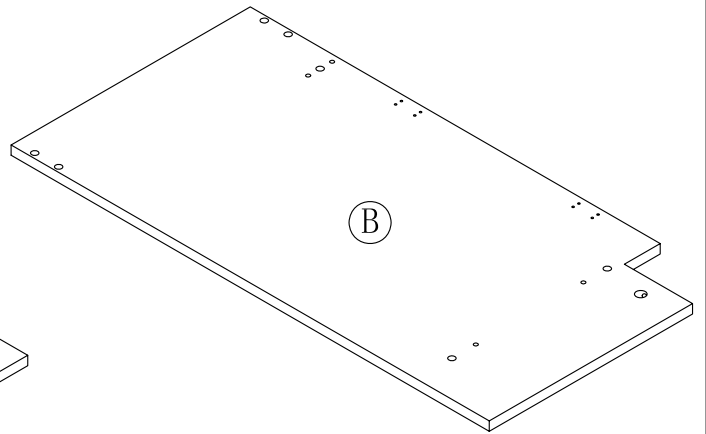
531970

ASSEMBLY INSTRUCTIONS

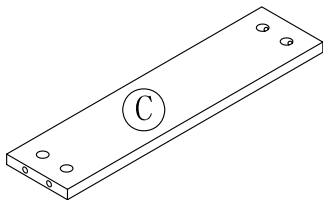
PARTS LIST:



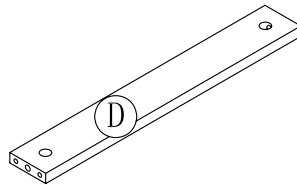
LEFT SIDE PANEL 1PC



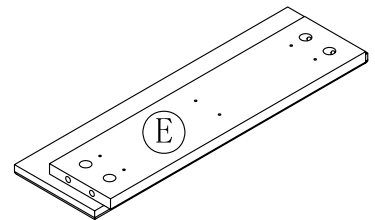
RIGHT SIDE PANEL 1PC



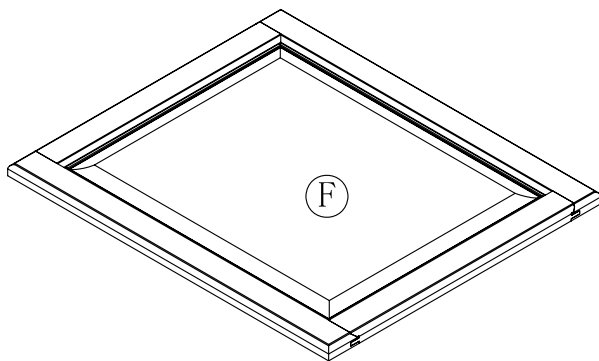
BACK CROSS BRACE 1PC



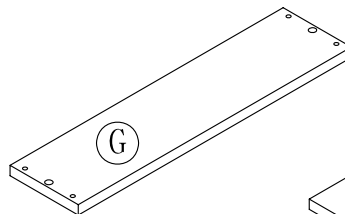
FRONT CROSS BRACE 1PC



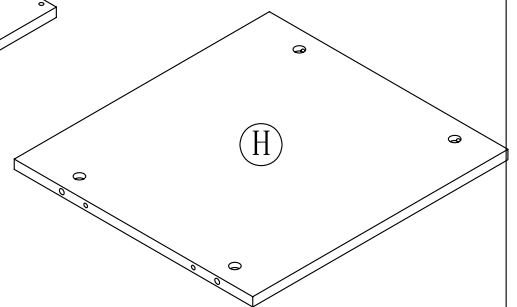
FALSE DRAWER FRONT 1PC



DOOR 1PC



TOE KICK PANEL 1PC

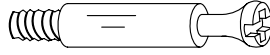


BOTTOM PANEL 1PC

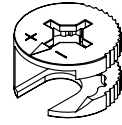
HARDWARE LIST:



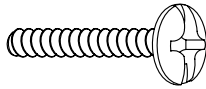
a. WOOD DOWEL 12PCS



b. CAM LOCK SCREW 16PCS



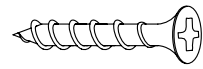
c. CAM LOCK 16PCS



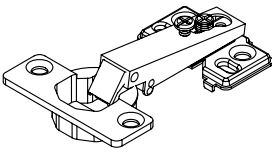
d. KNOB BOLT 1PC



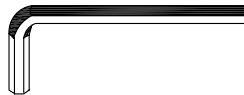
e. KNOB 1PC



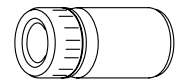
f. 5/8" L FLAT HEAD SCREW 12PCS



g. HINGE 2PCS

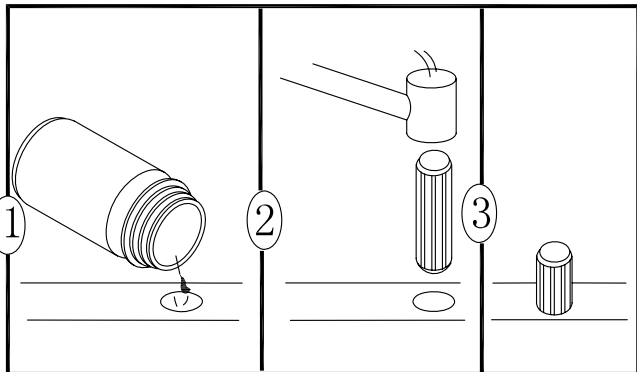
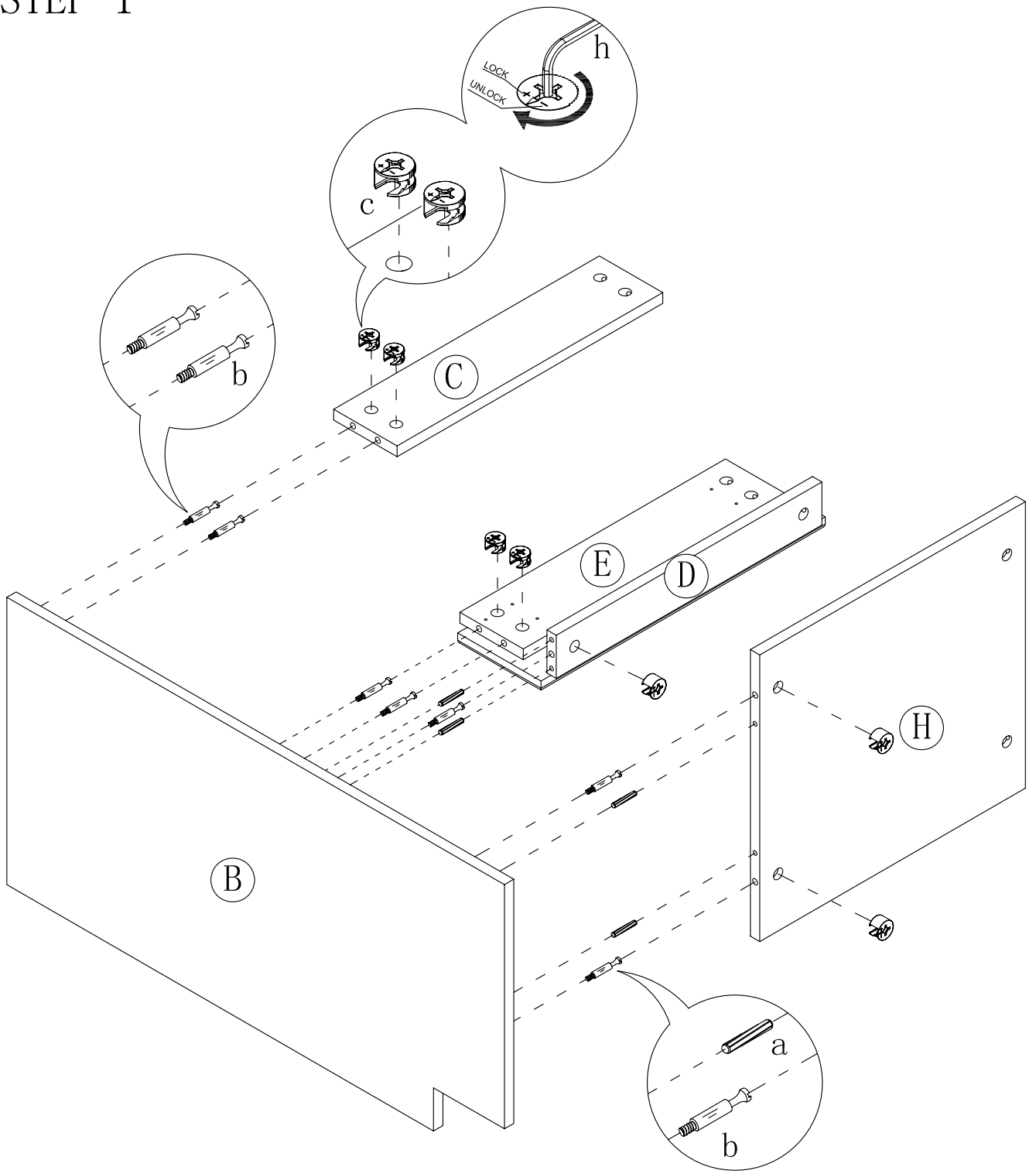


h. WRENCH 1PC

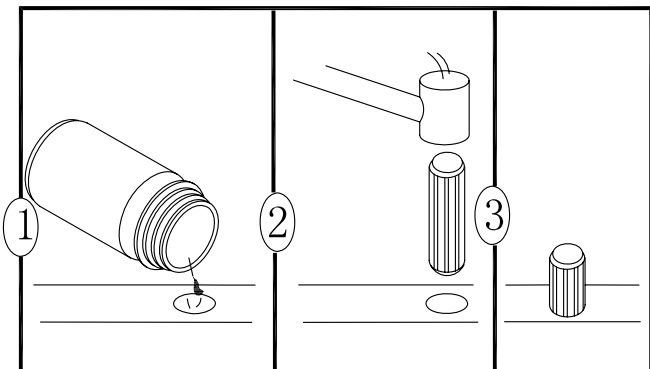
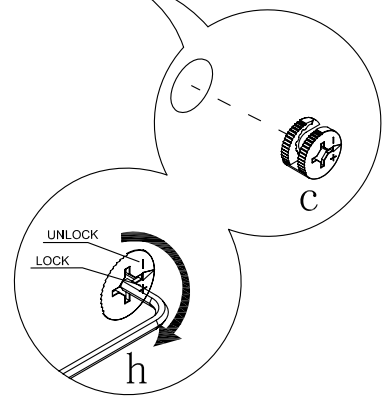
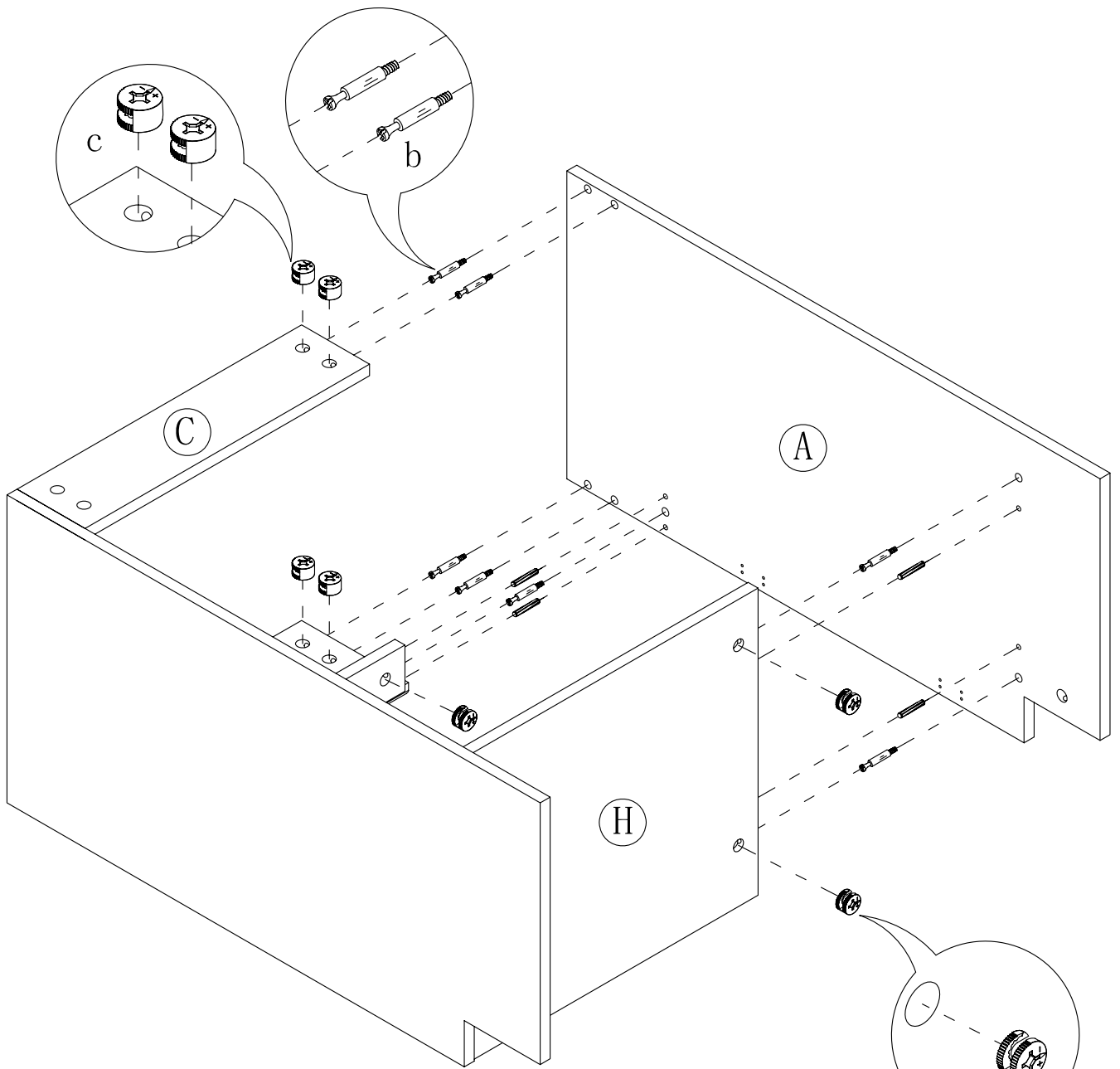


i. GLUE 1PC

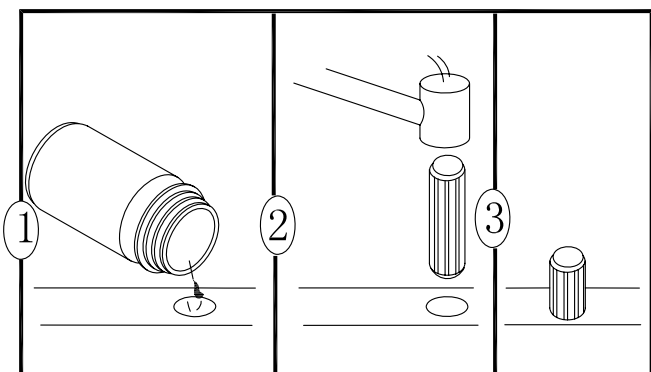
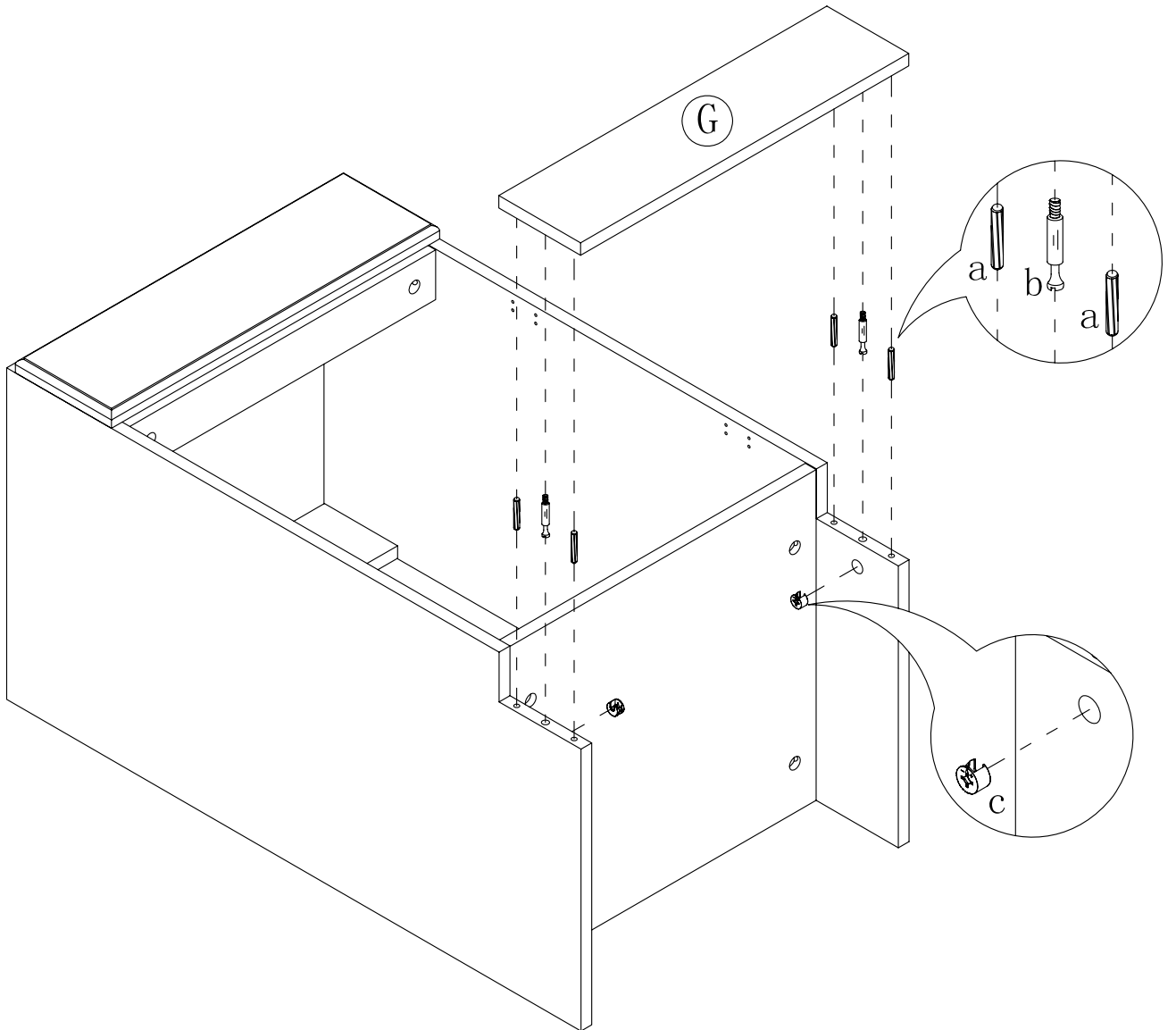
STEP 1



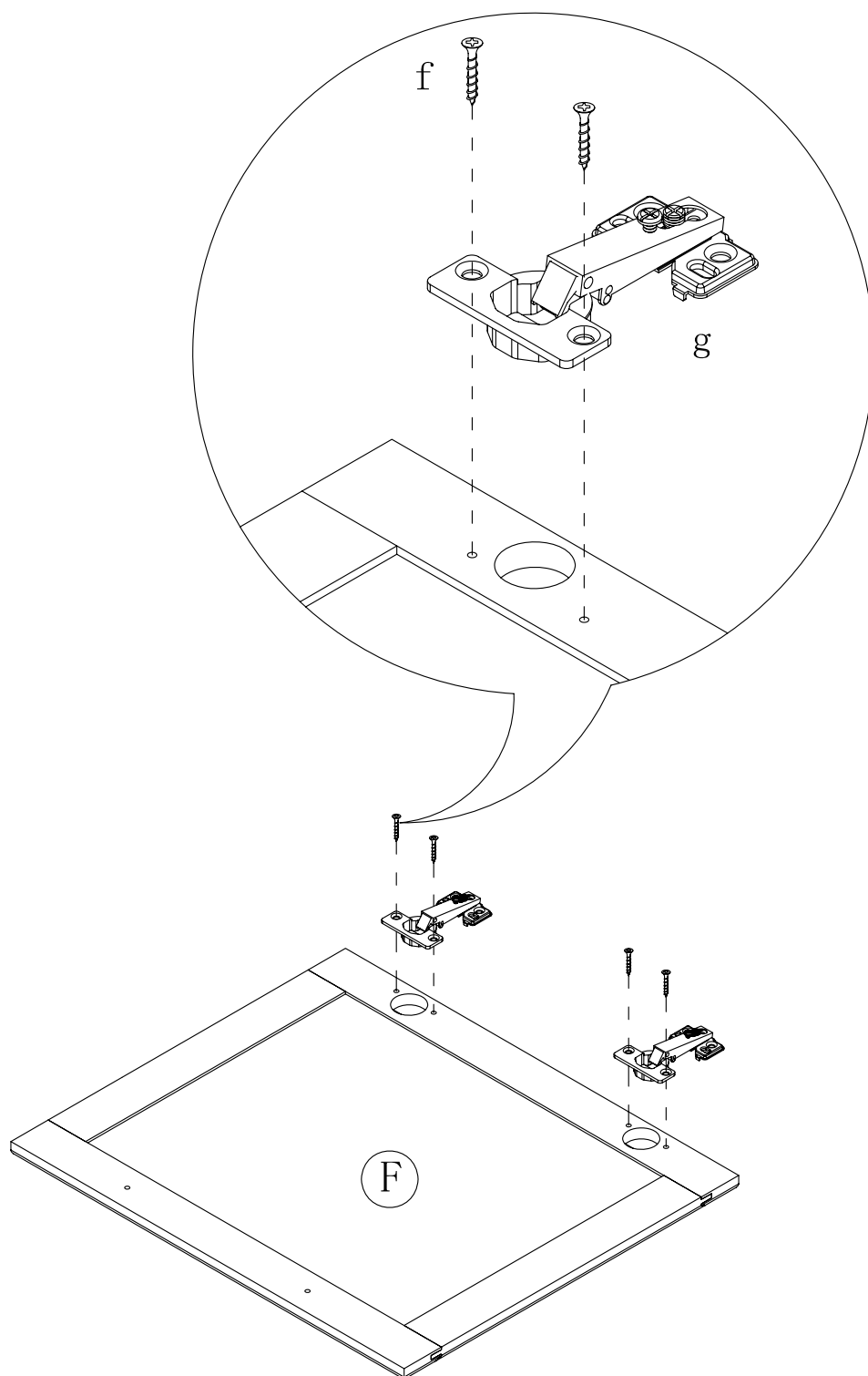
STEP 2



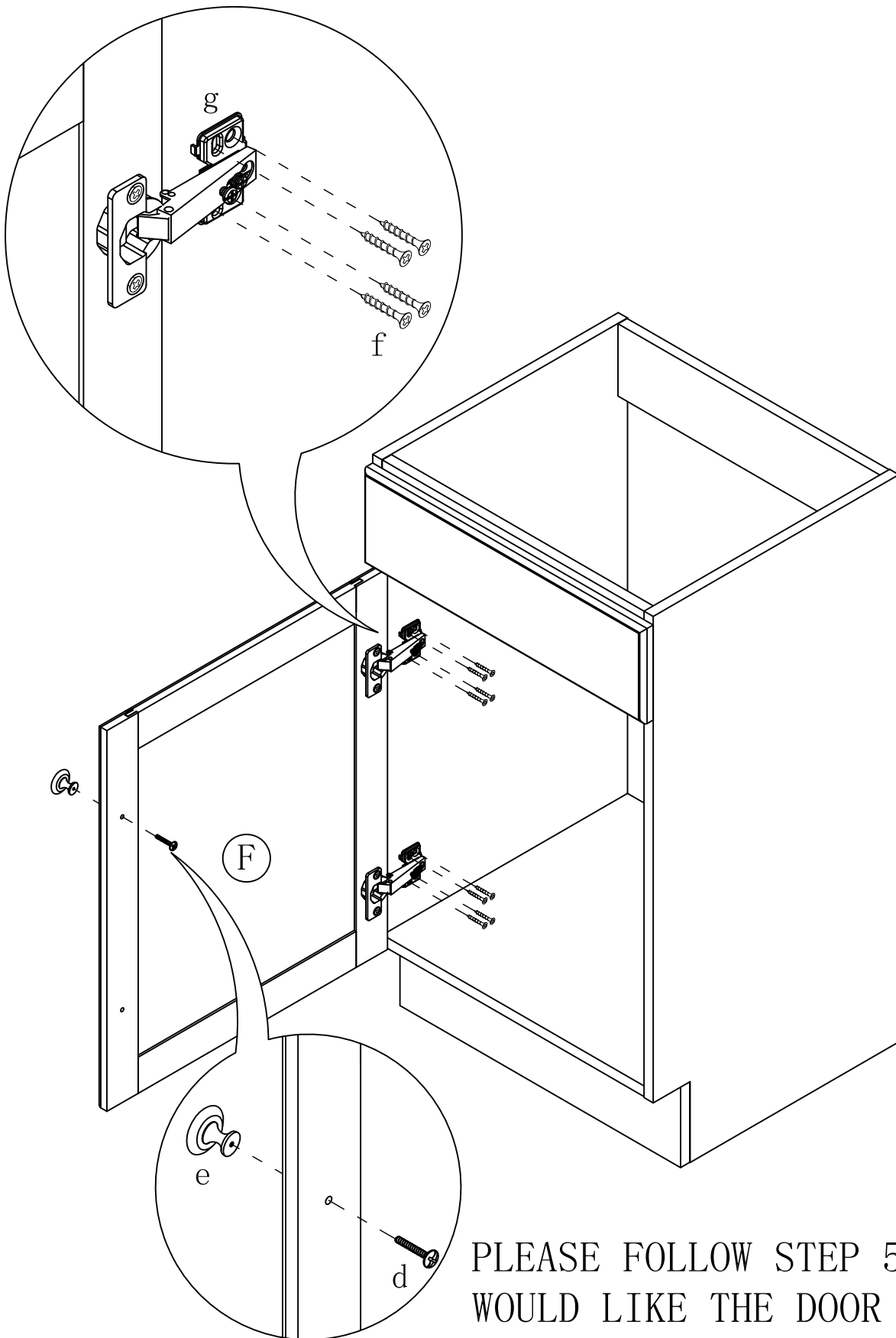
STEP 3



STEP 4

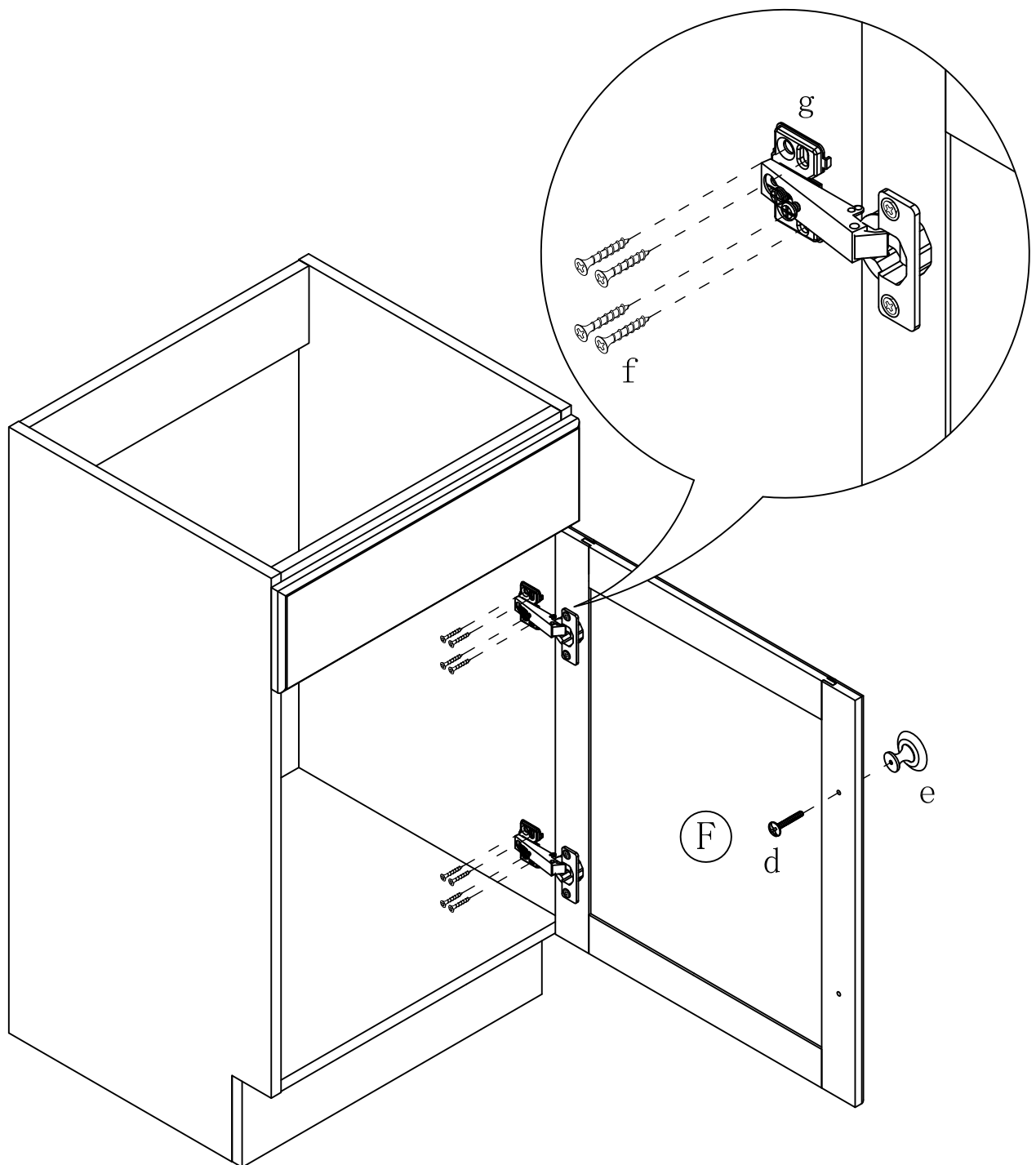


STEP 5



PLEASE FOLLOW STEP 5 IF YOU
WOULD LIKE THE DOOR OPEN
FROM THE LEFT

STEP 6



PLEASE FOLLOW STEP 6 IF YOU
WOULD LIKE THE DOOR OPEN
FROM THE RIGHT