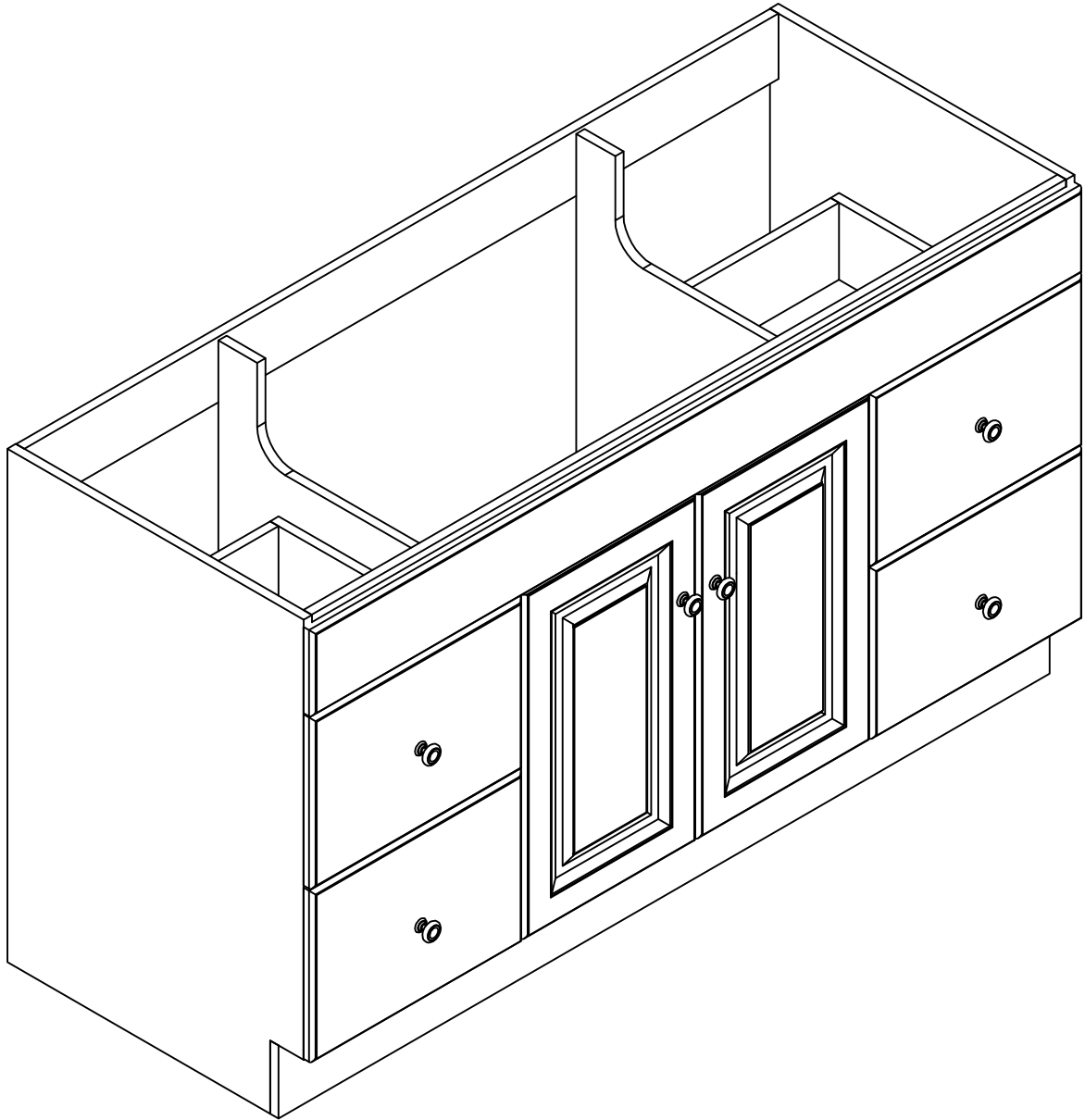




# ADVANCED

GLOBAL COMMERCE

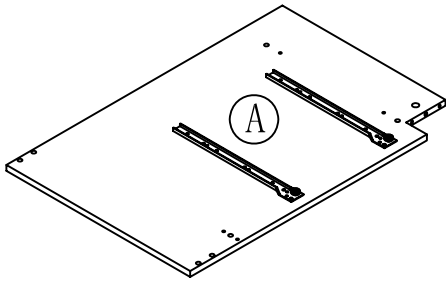
---



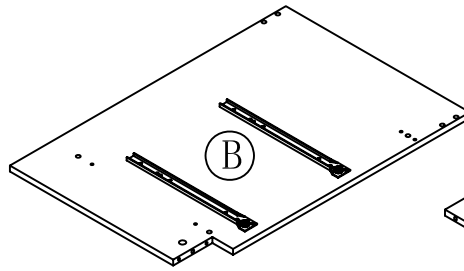
531491

# ASSEMBLY INSTRUCTIONS

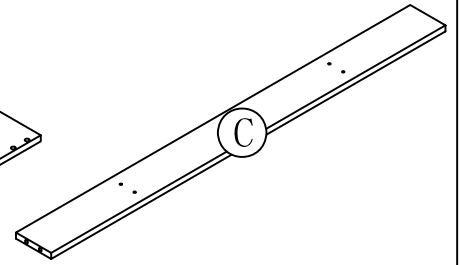
# PARTS LIST:



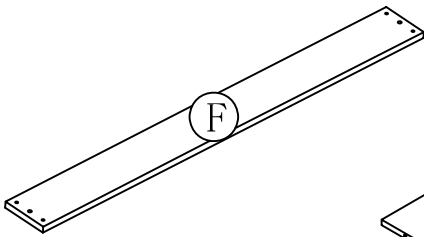
LEFT SIDE PANEL 1PC



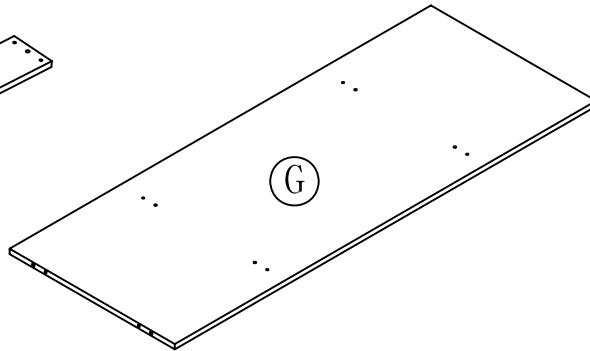
RIGHT SIDE PANEL 1PC



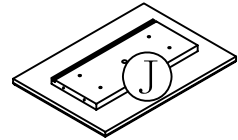
BACK CROSS BRACE 1PC



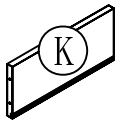
TOE KICK PANEL 1PC



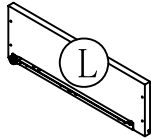
BOTTOM PANEL 1PC



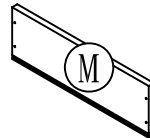
DRAWER FRONT 4PCS



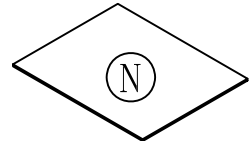
DRAWER BACK PANEL  
4PCS



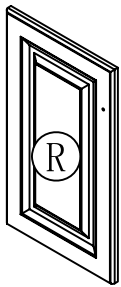
DRAWER LEFT SIDE  
PANEL 4PCS



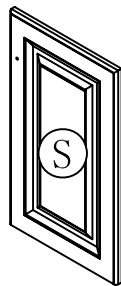
DRAWER RIGHT SIDE  
PANEL 4PCS



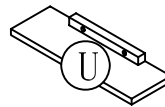
DRAWER BOTTOM  
PANEL 4PCS



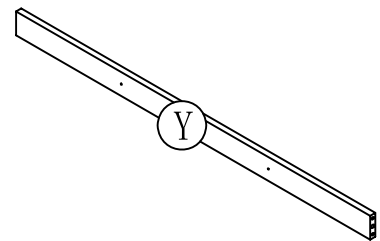
LEFT SIDE DOOR 1PC



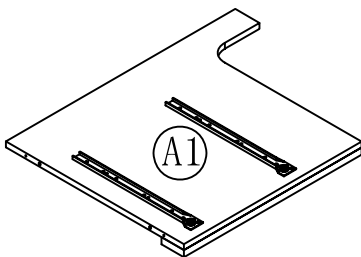
RIGHT SIDE DOOR 1PC



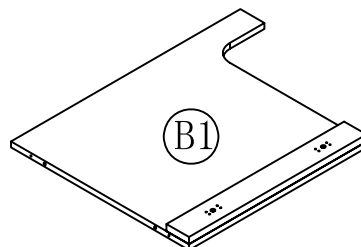
FIXED PANEL 1PC



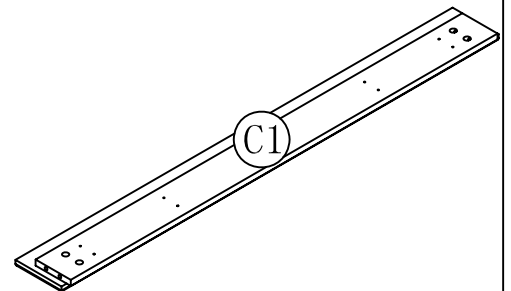
FRONT CROSS BRACE 1PC



LEFT BIG PARTITION 1PC



RIGHT BIG PARTITION 1PC

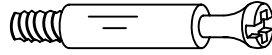


FALSE DRAWER FRONT 1PC

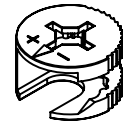
# HARDWARE LIST:



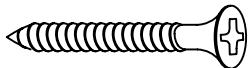
a. WOOD DOWEL 18PCS



b. CAM LOCK SCREW  
16PCS



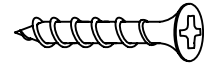
c. CAM LOCK 16PCS



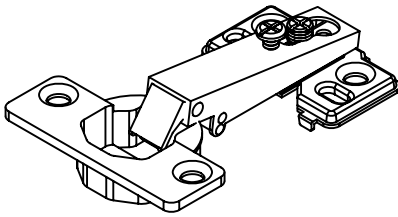
d. 1" L WOOD SCREW 6PCS



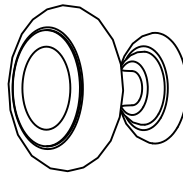
e. 1-1/2" L WOOD  
SCREW 38PCS



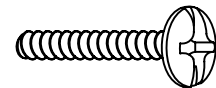
f. 5/8" L FLAT HEAD  
SCREW 24PCS



h. HINGE 4PCS



l. KNOB 6PCS



n. KNOB BOLT 6PCS

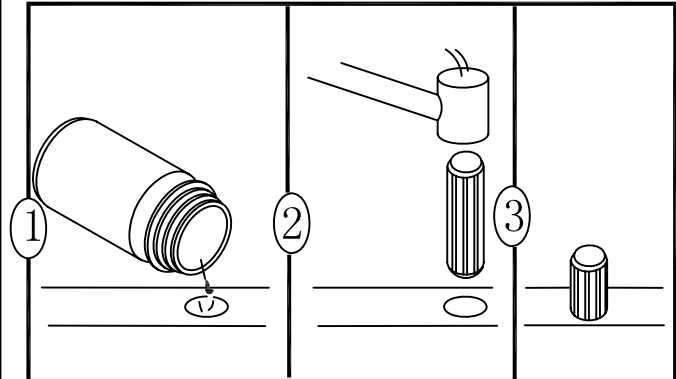
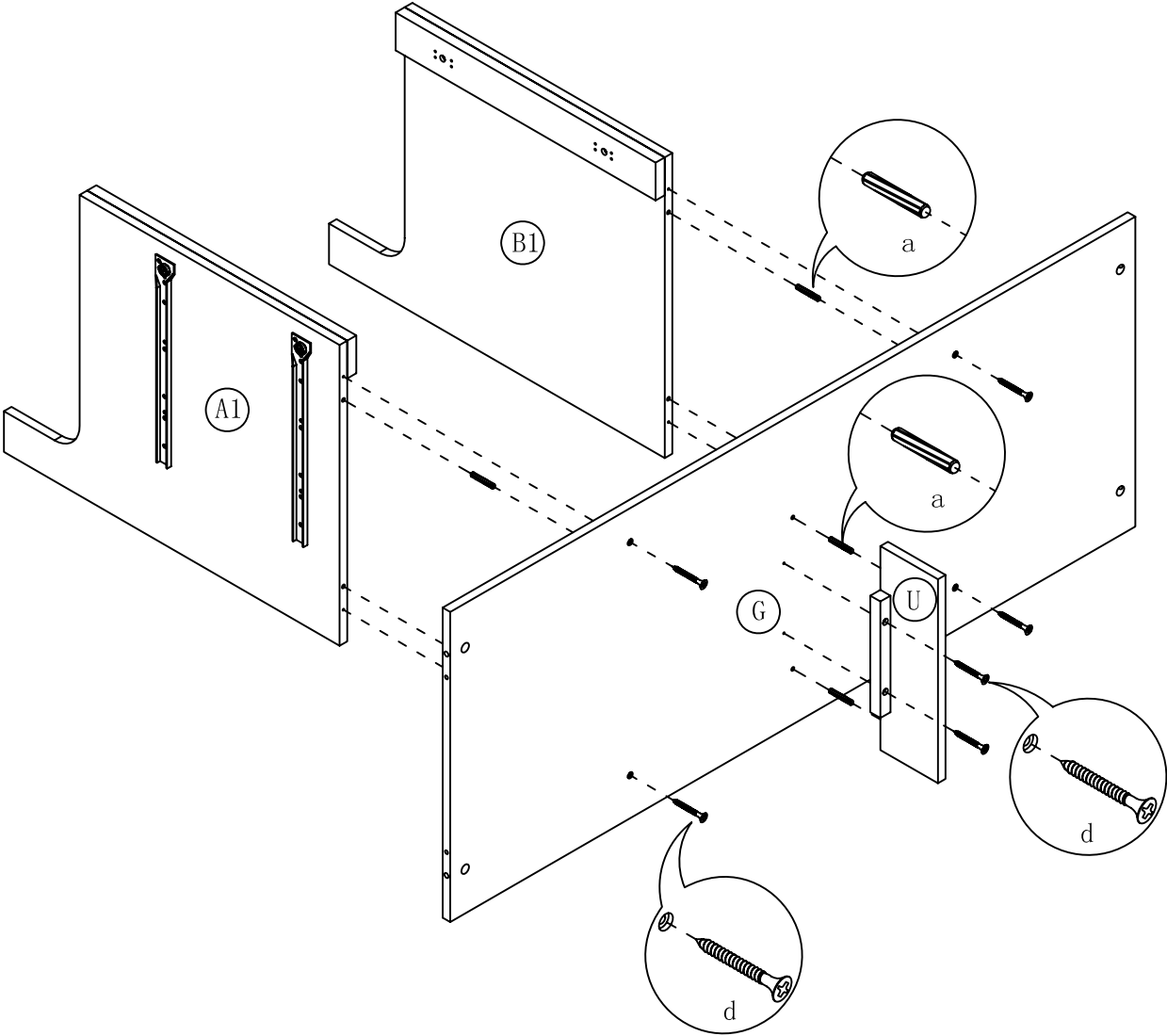


o. WRENCH 1PC

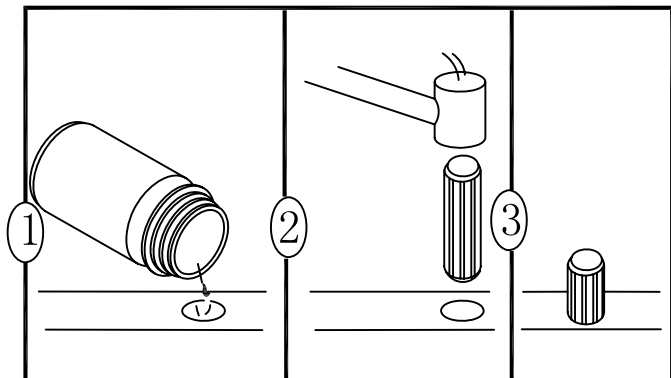
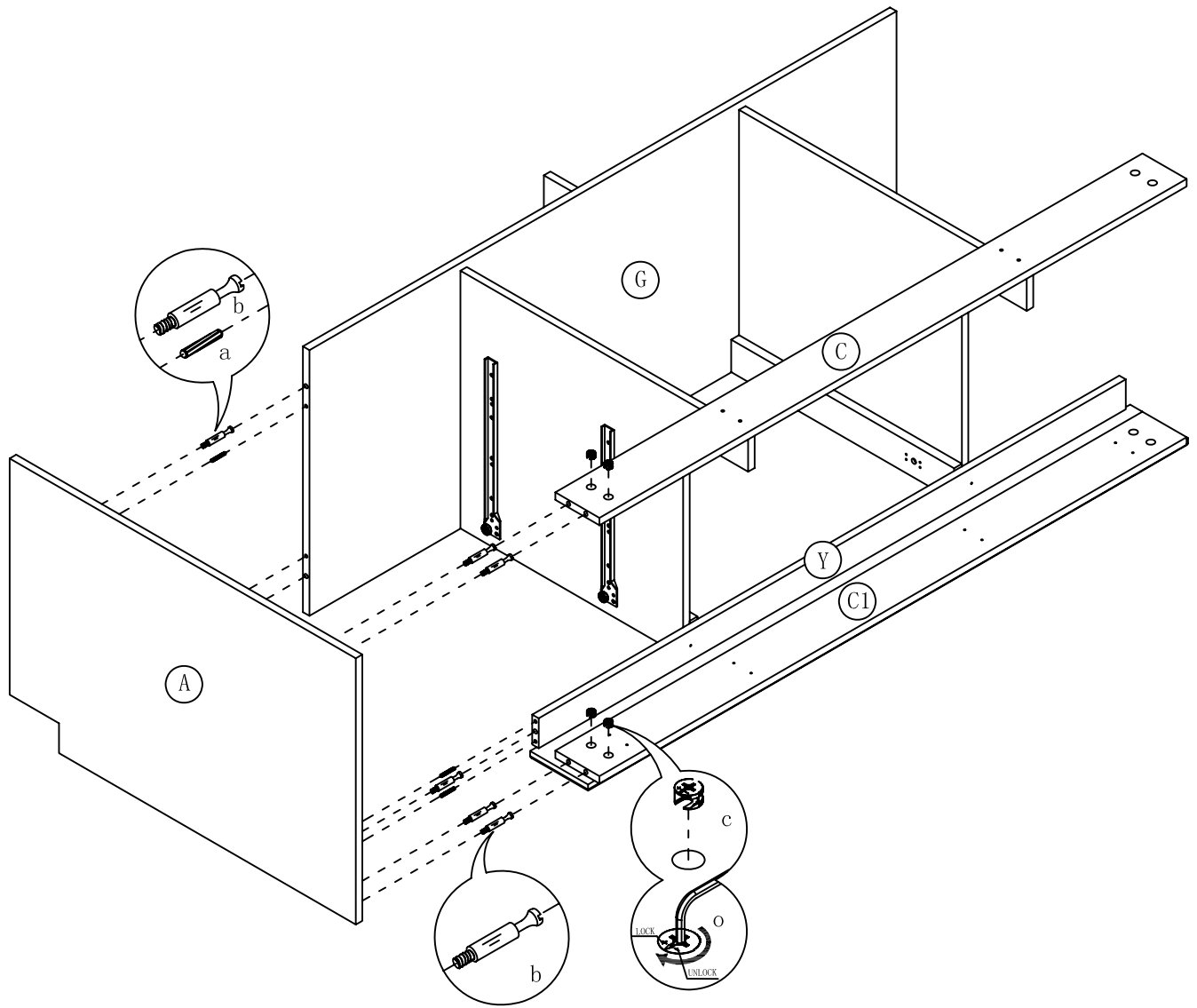


p. GLUE 1PC

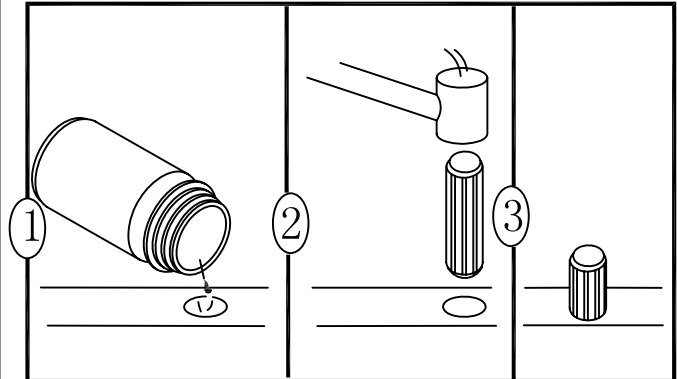
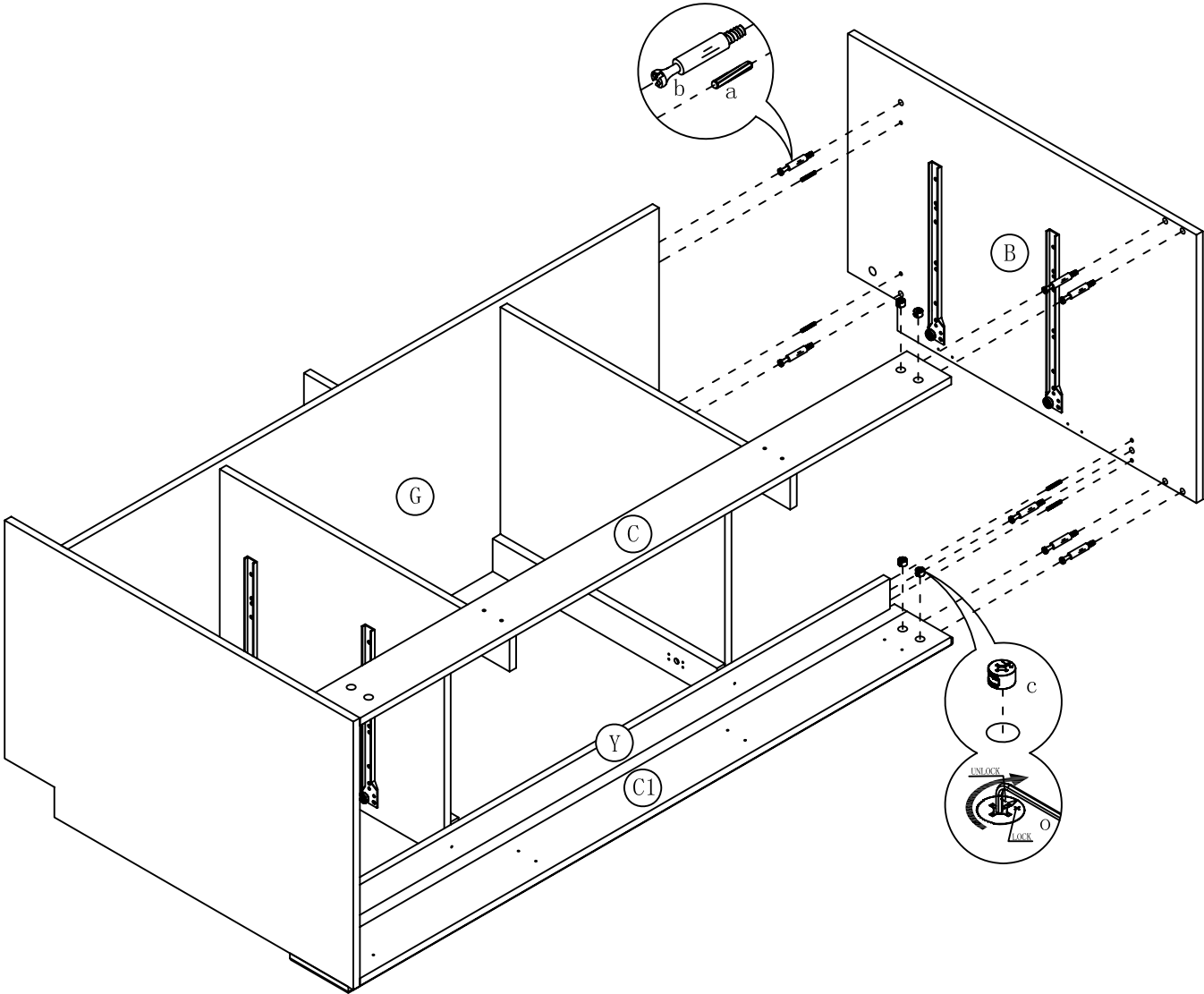
STEP 1



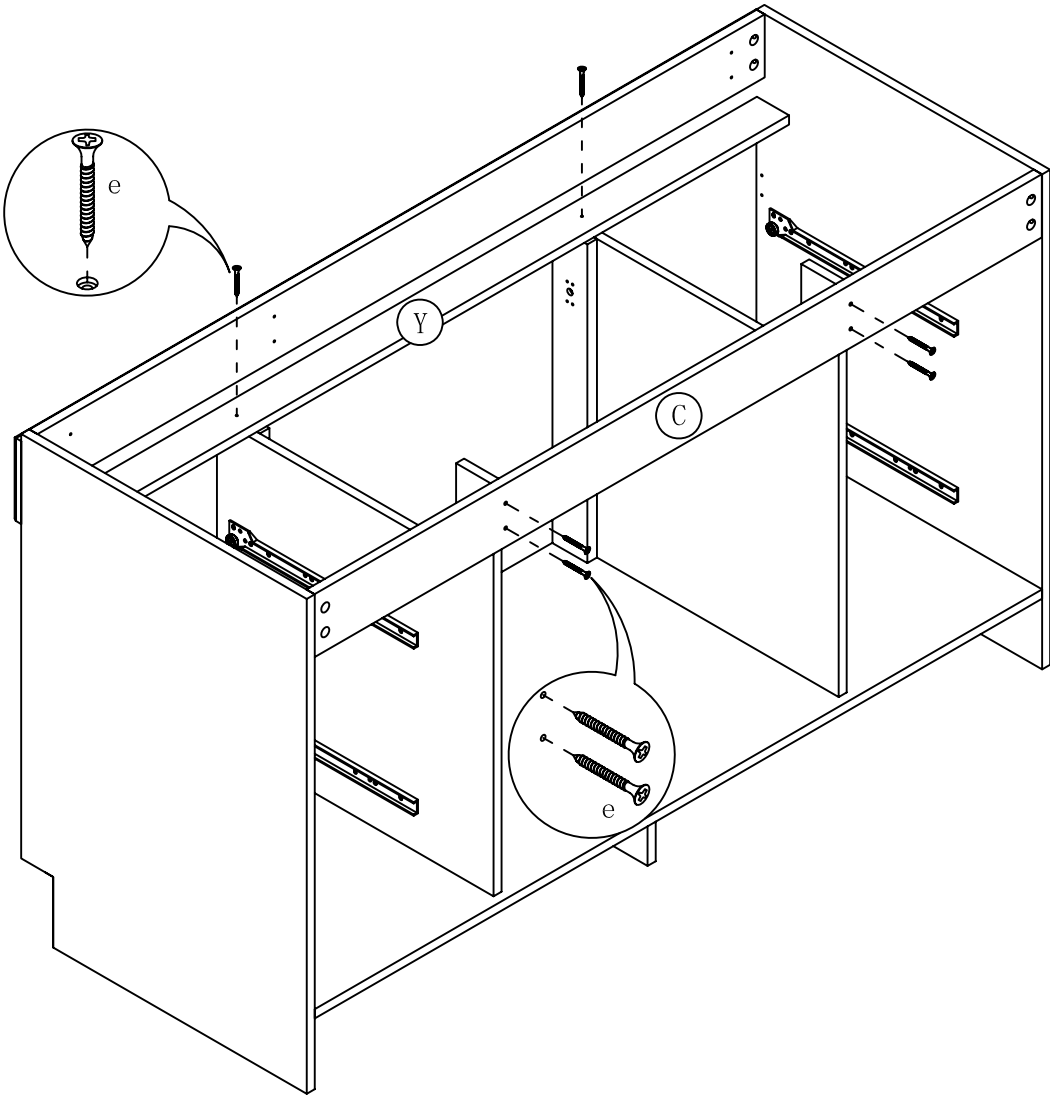
# STEP 2



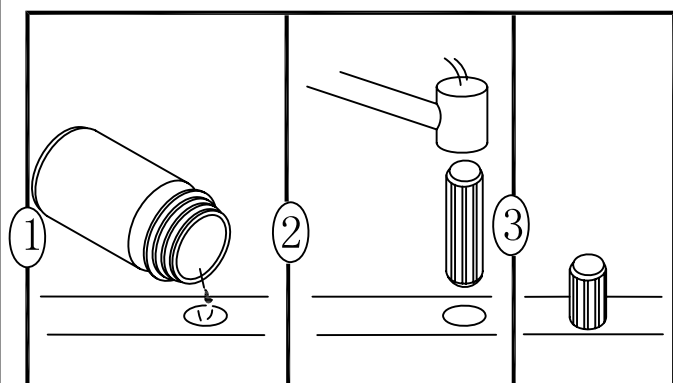
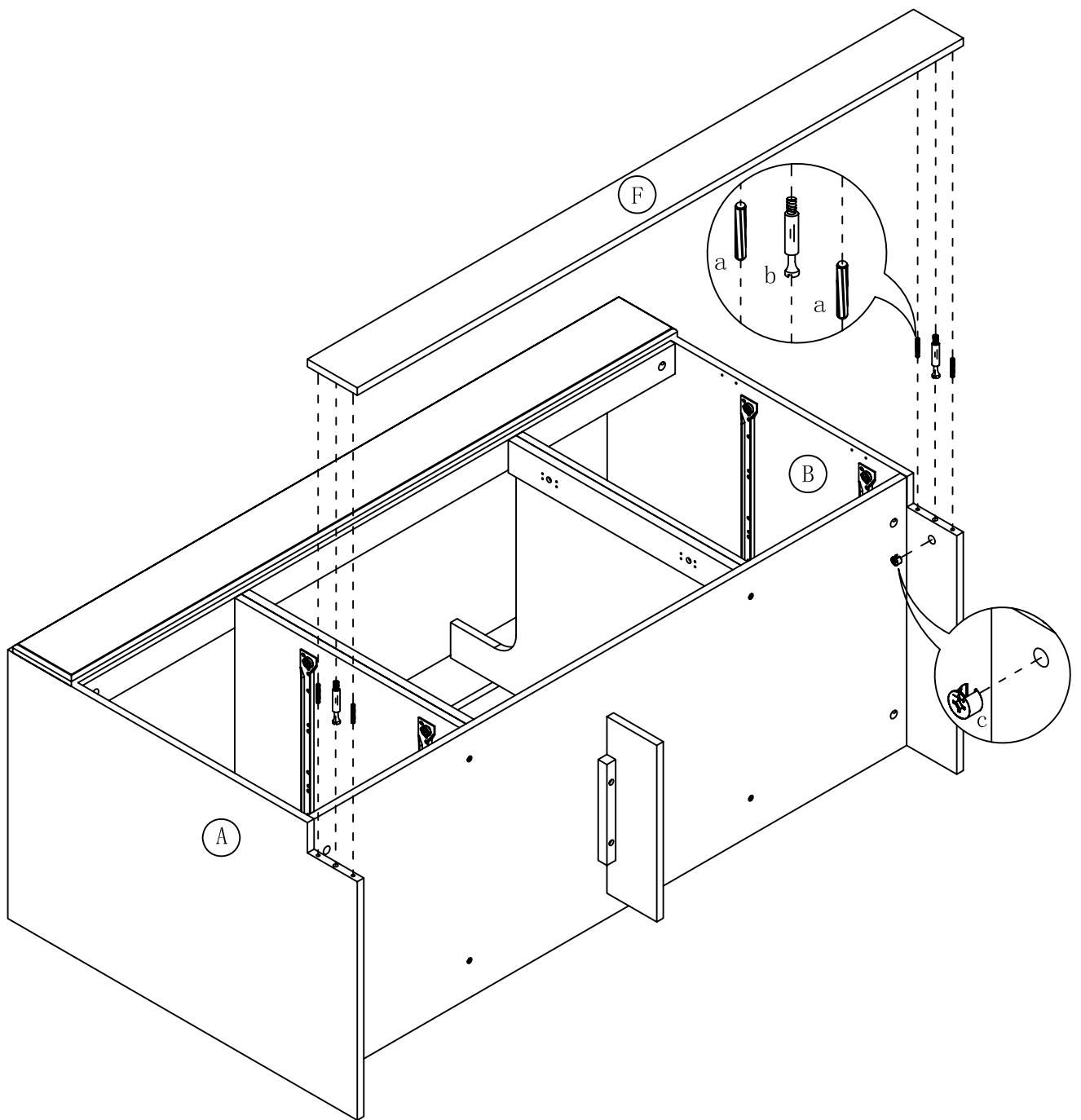
# STEP 3



STEP 4

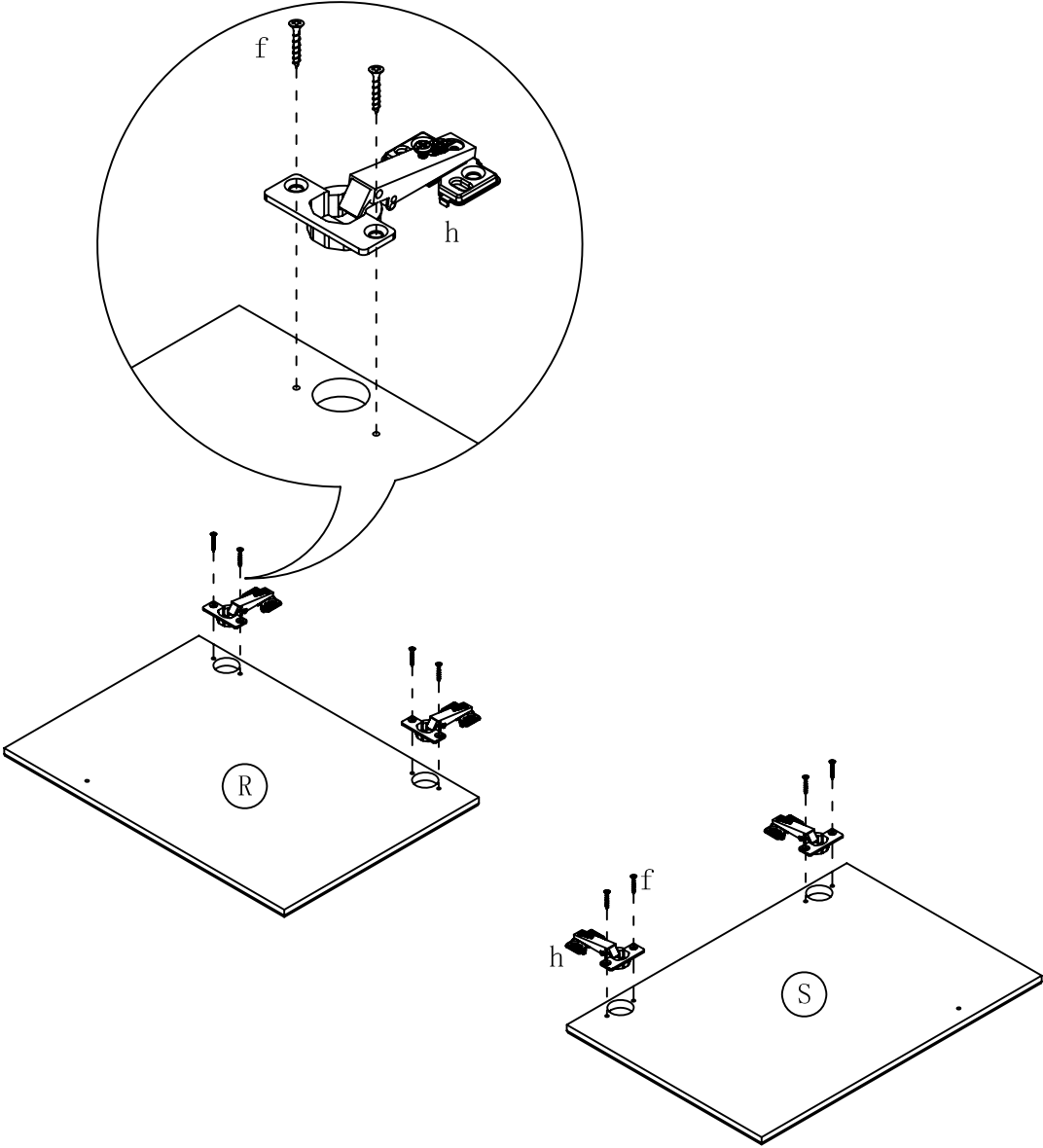


# STEP 5

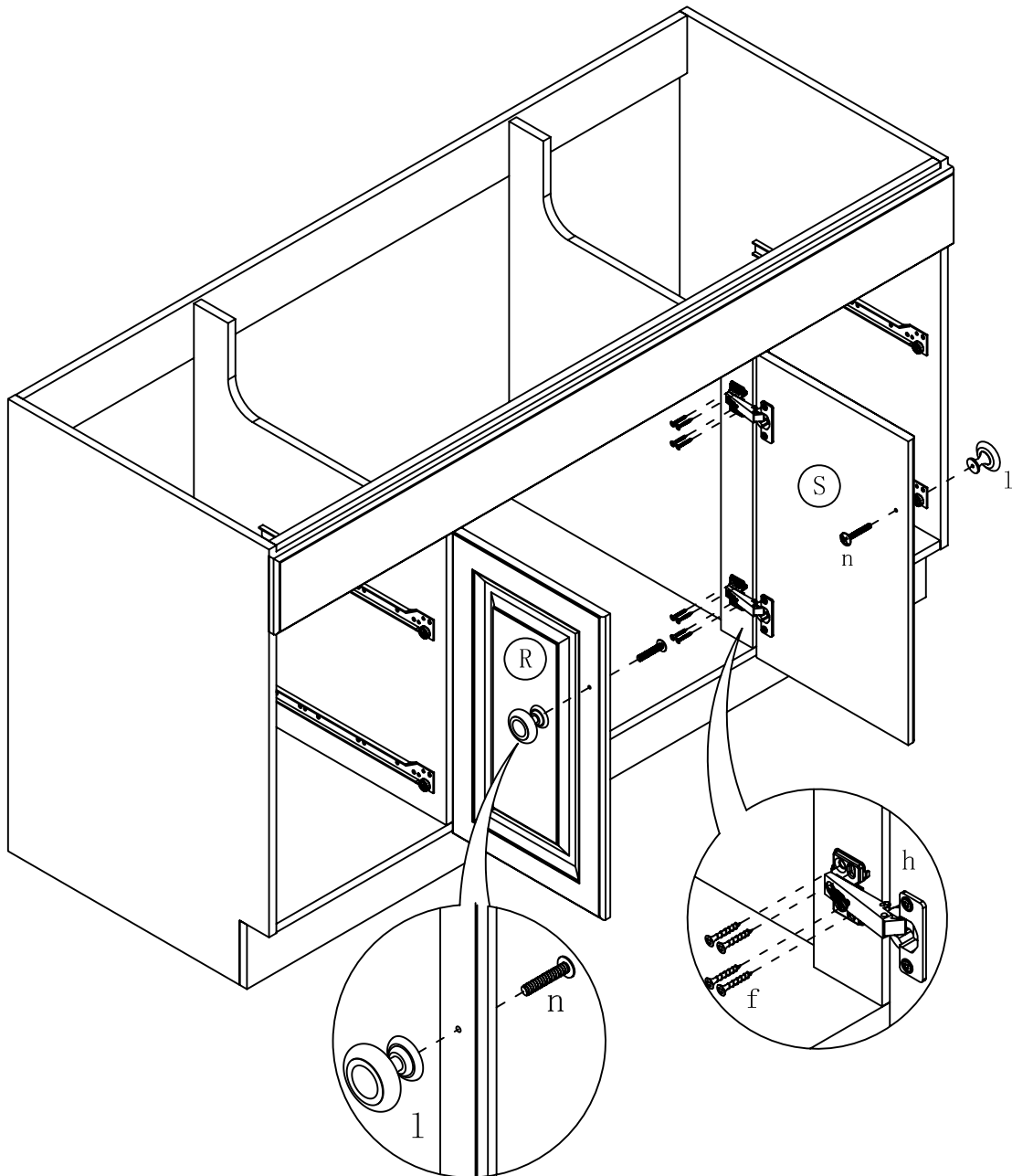




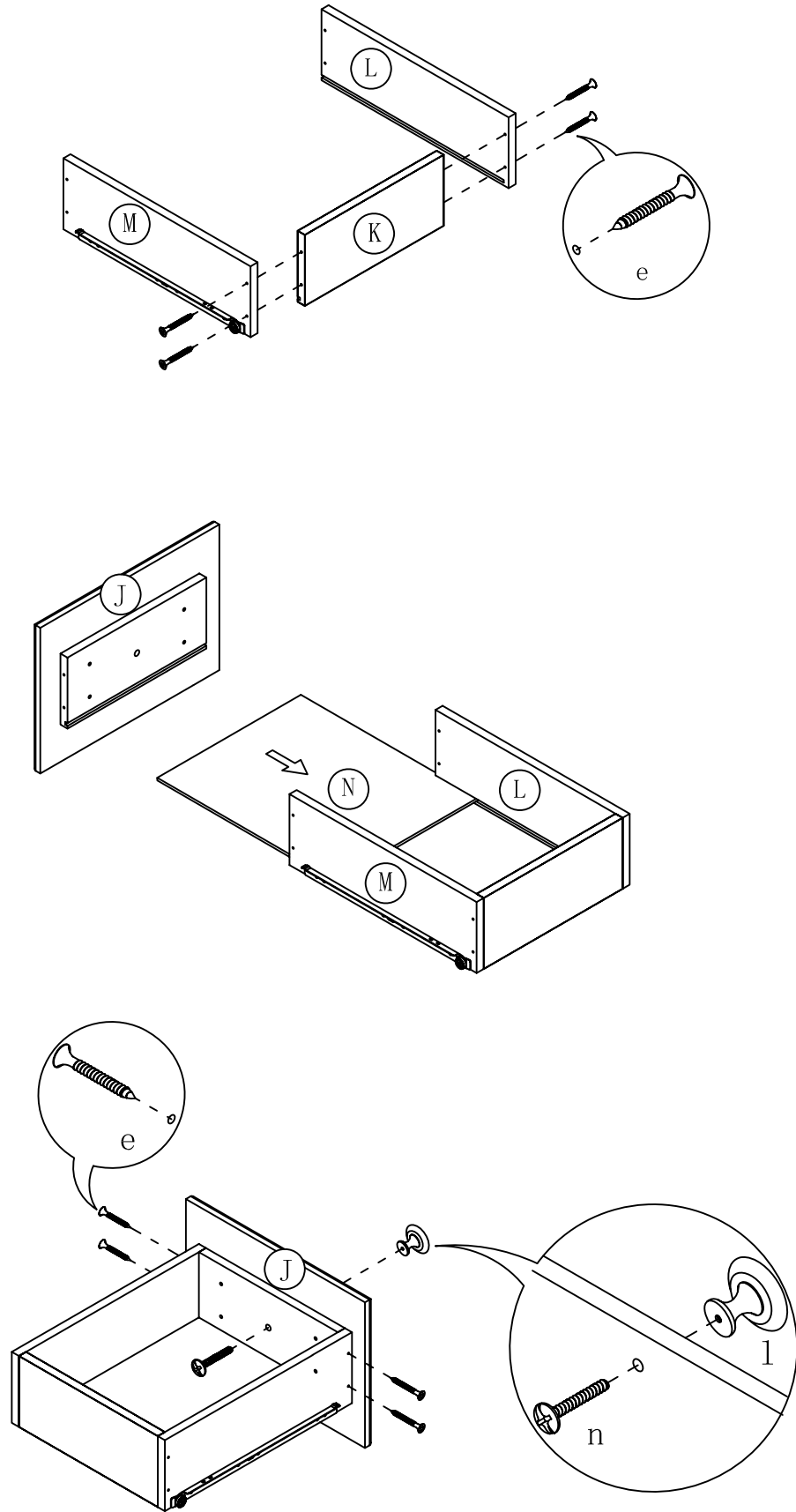
STEP 6



# STEP 7



# STEP 8



# STEP 9

