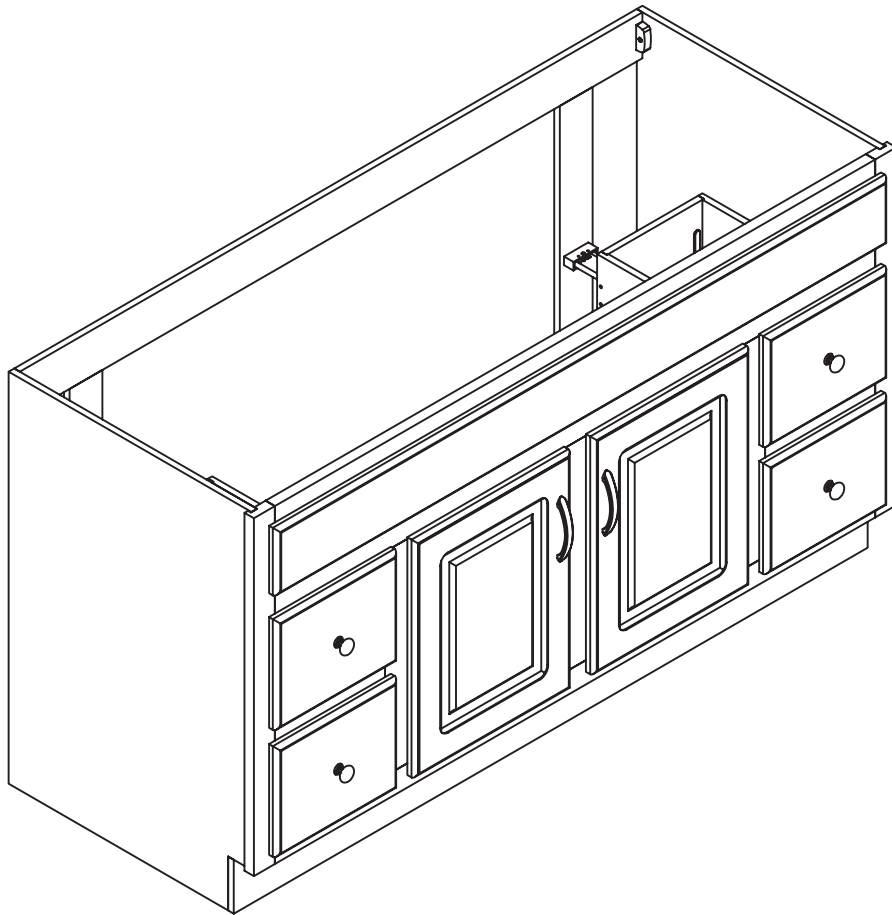




**ADVANCED**  
GLOBAL COMMERCE

---

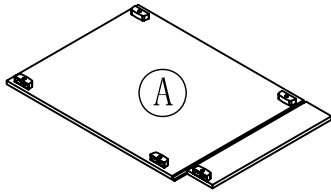


531301 541060

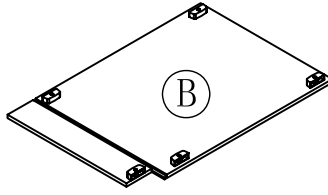
# ASSEMBLY INSTRUCTIONS

---

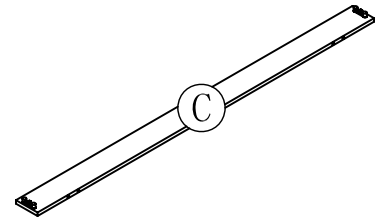
# PARTS LIST:



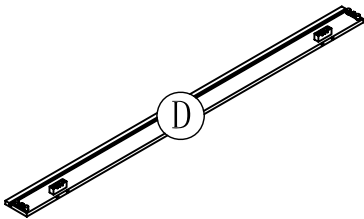
LEFT SIDE PANEL 1PC



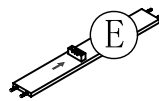
RIGHT SIDE PANEL 1PC



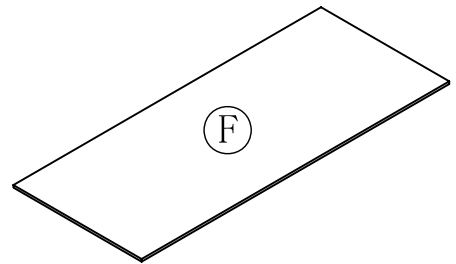
BACK UP CROSS  
BRACE 1PC



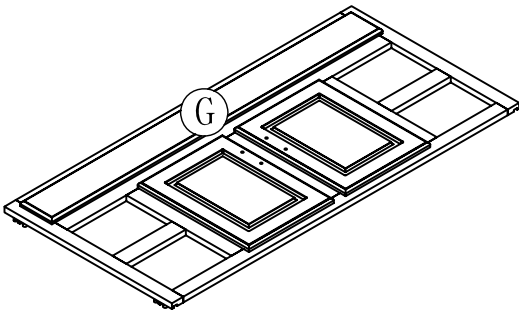
BACK DOWN CROSS  
BRACE 1PC



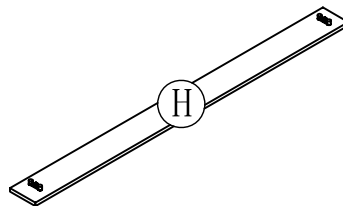
BACK PARTITION  
PANEL 2PCS



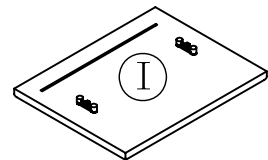
BOTTOM PANEL 1PC



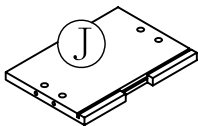
FRONT FRAME 1PC



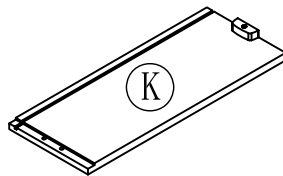
TOE KICK PANEL 1PC



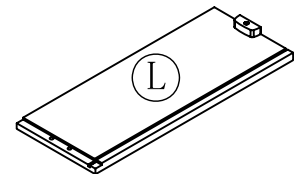
DRAWER FRONT  
PANEL 4PCS



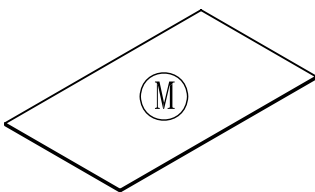
DRAWER BACK  
PANEL 4PCS



DRAWER LEFT  
SIDE PANEL 4PCS

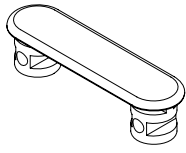


DRAWER RIGHT  
SIDE PANEL 4PCS

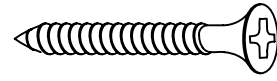


DRAWER BOTTOM  
PANEL 4PCS

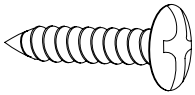
# HARDWARE LIST:



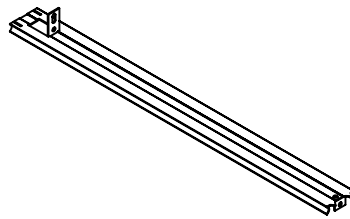
b. PLASTIC ANCHORS 8PCS



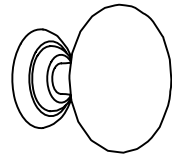
e. 1-1/4" L FLAT HEAD  
SCREW 16PCS



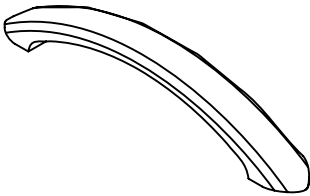
g. ROUND HEAD SCREW  
(FOR DRAWER GUIDE) 12PCS



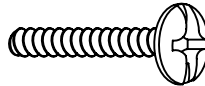
i. DRAWER GUIDE (1) 4PCS



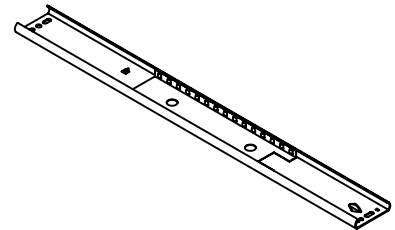
l. KNOB 4PCS



m. HANDLE 2PCS

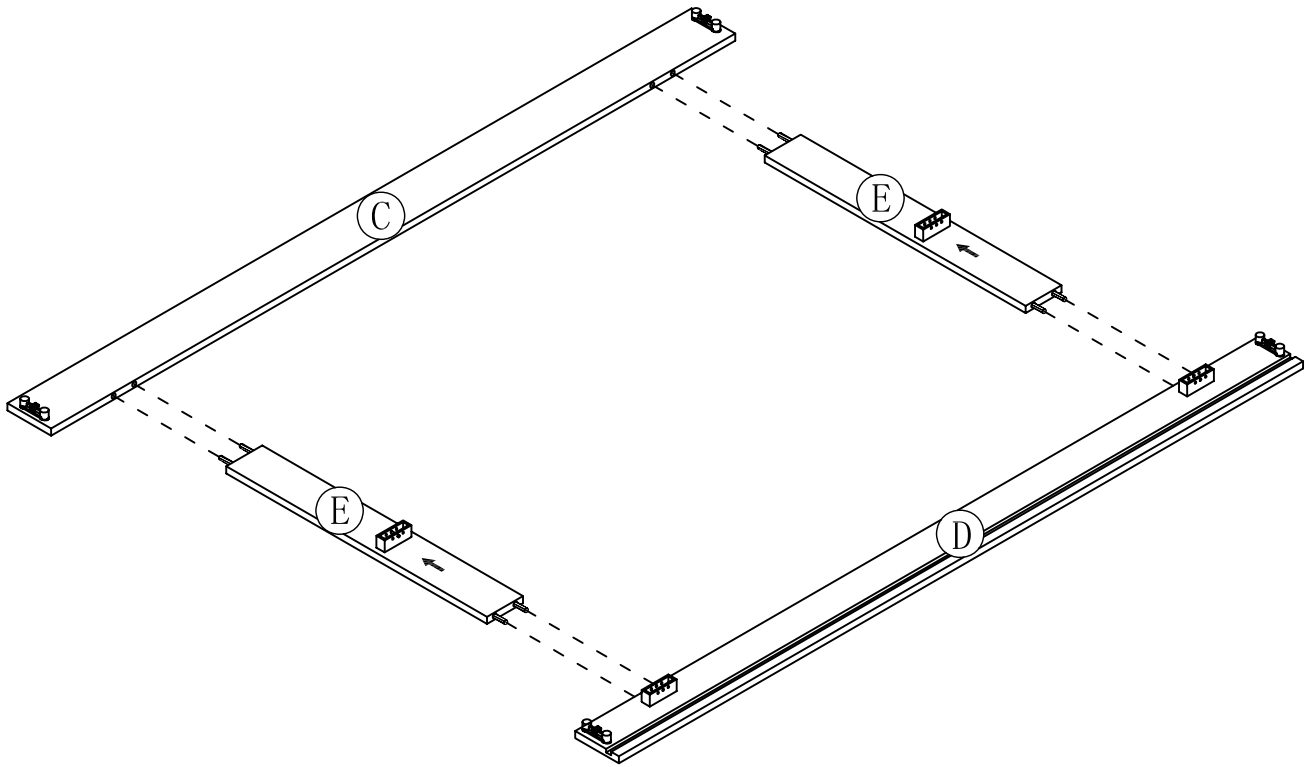


n. HANDLE (KNOB)  
BOLT 8PCS

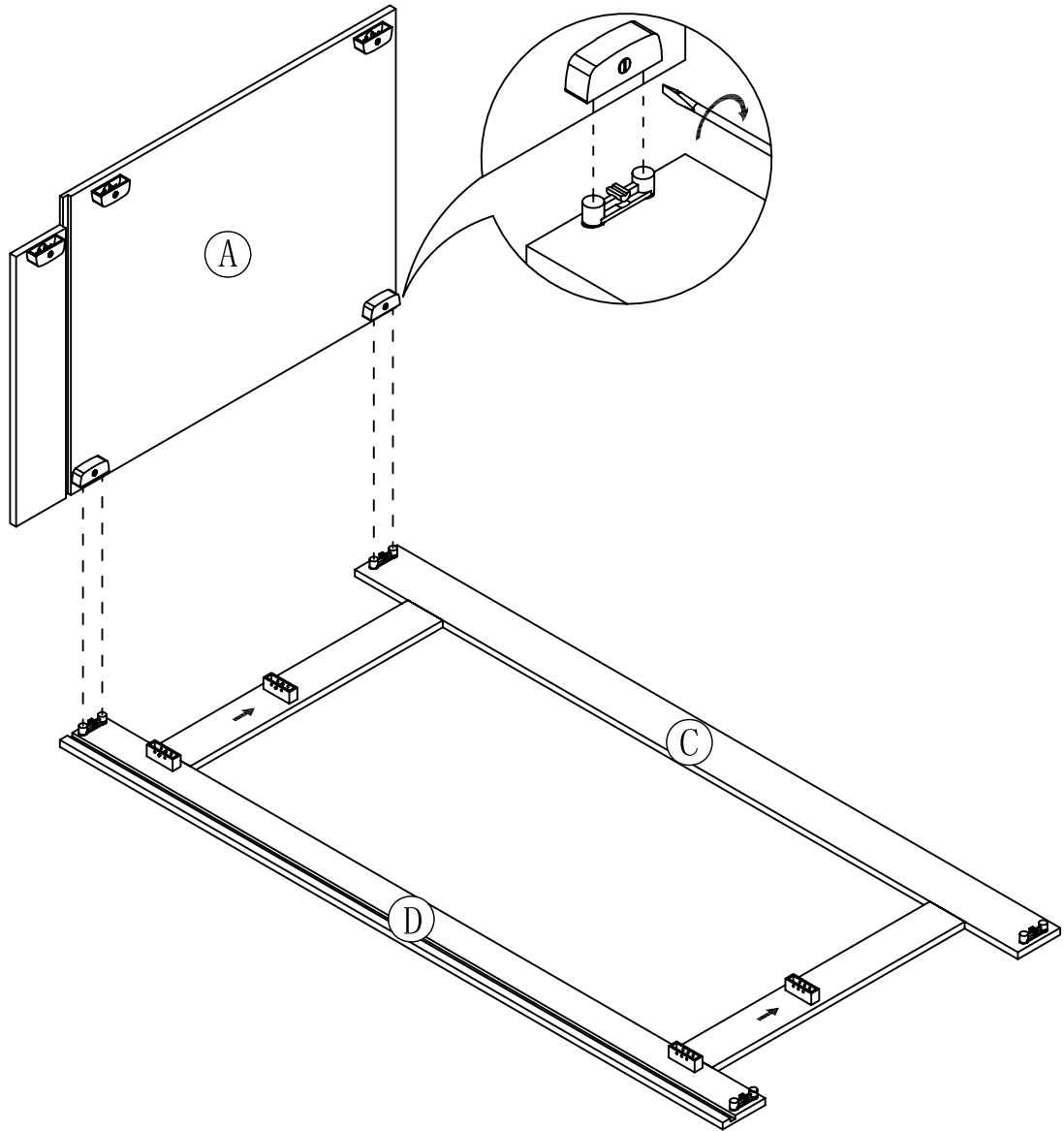


y. DRAWER GUIDE (2) 4PCS

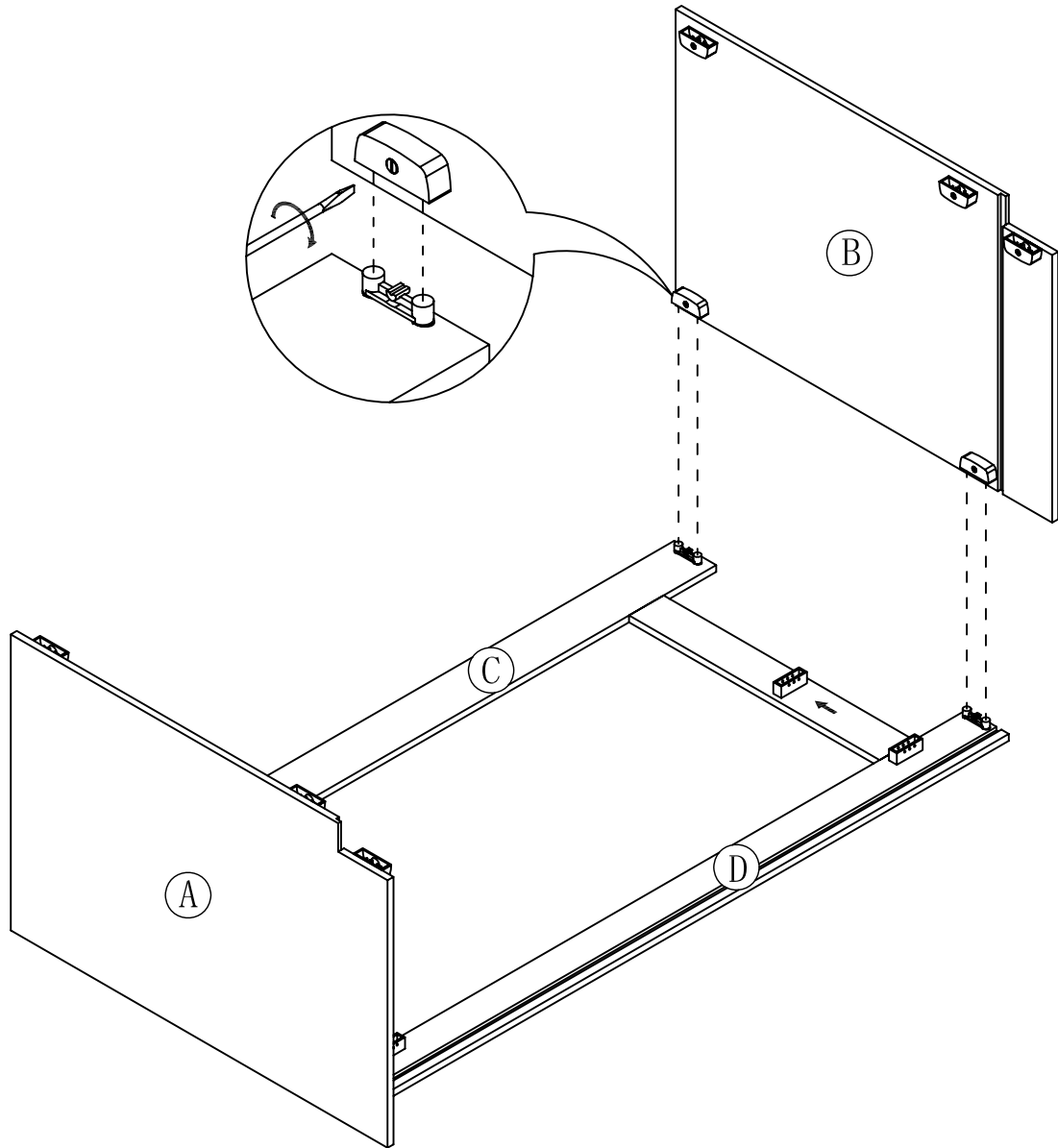
# STEP 1



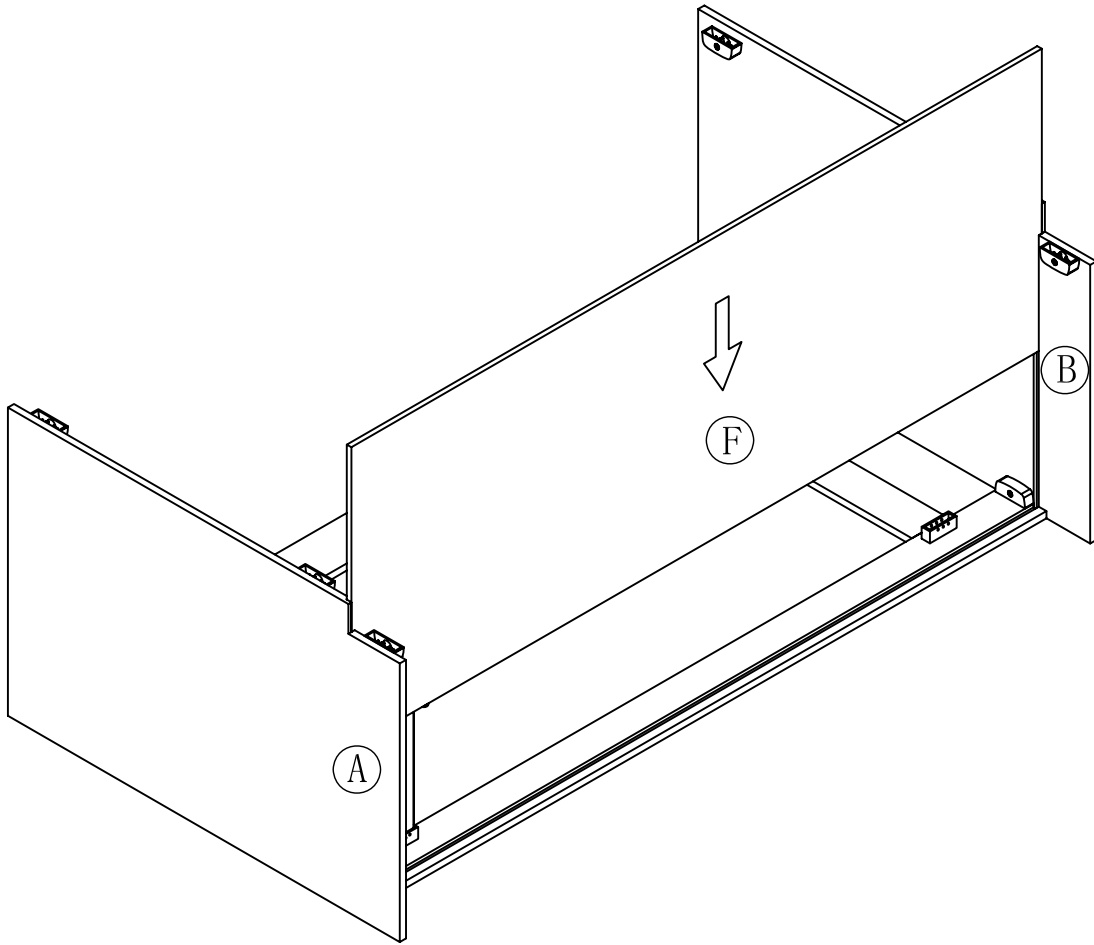
# STEP 2



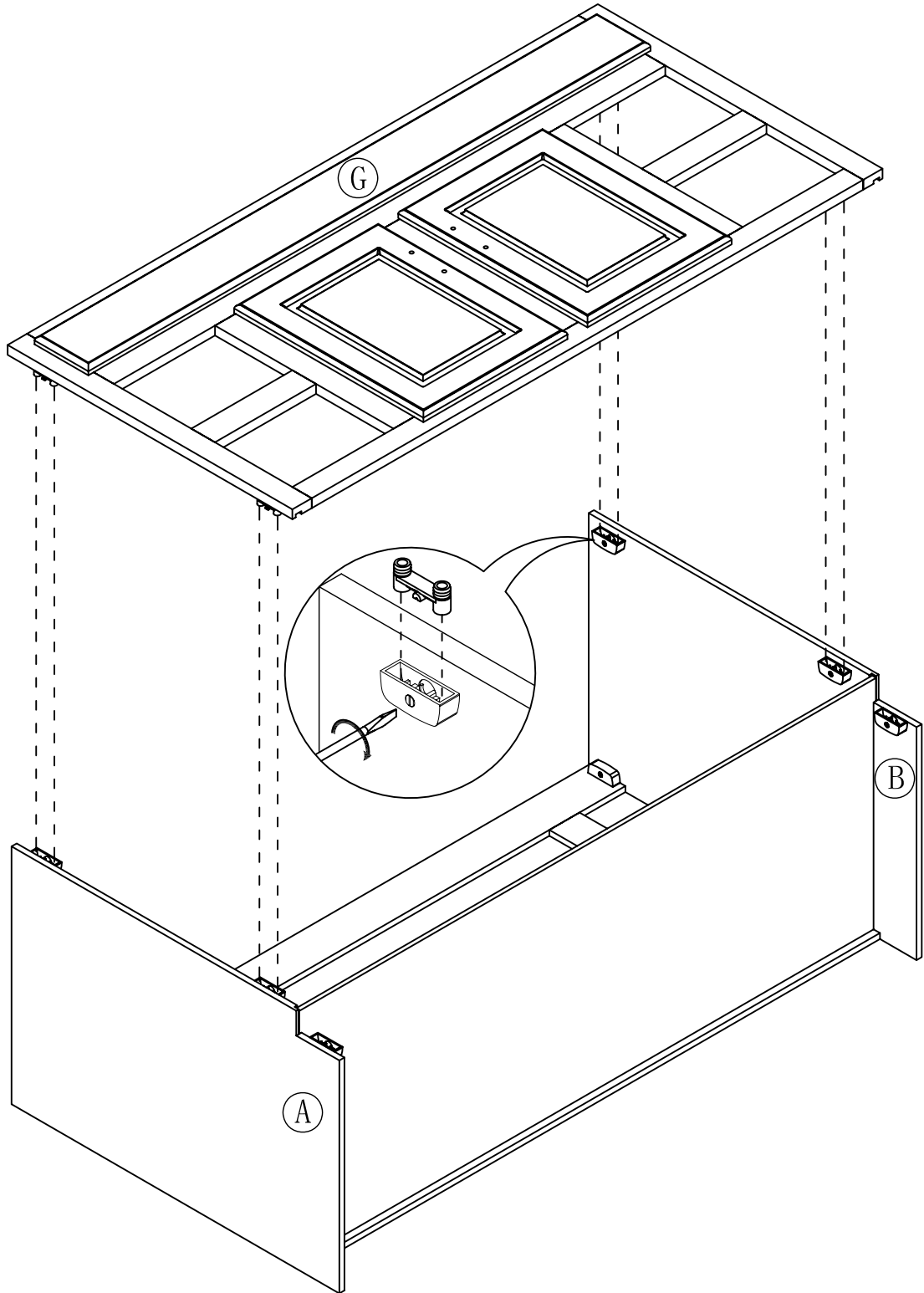
# STEP 3



# STEP 4

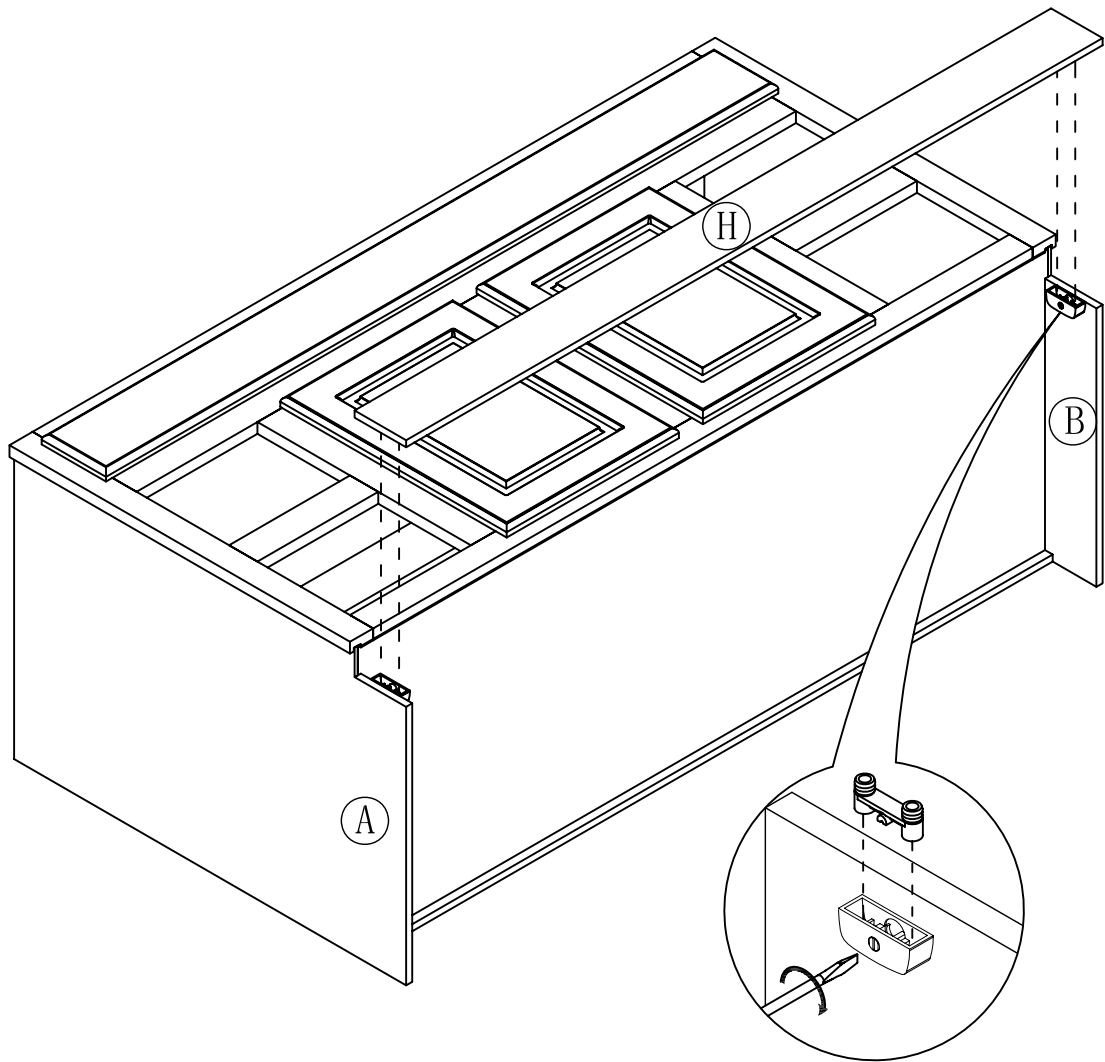


# STEP 5

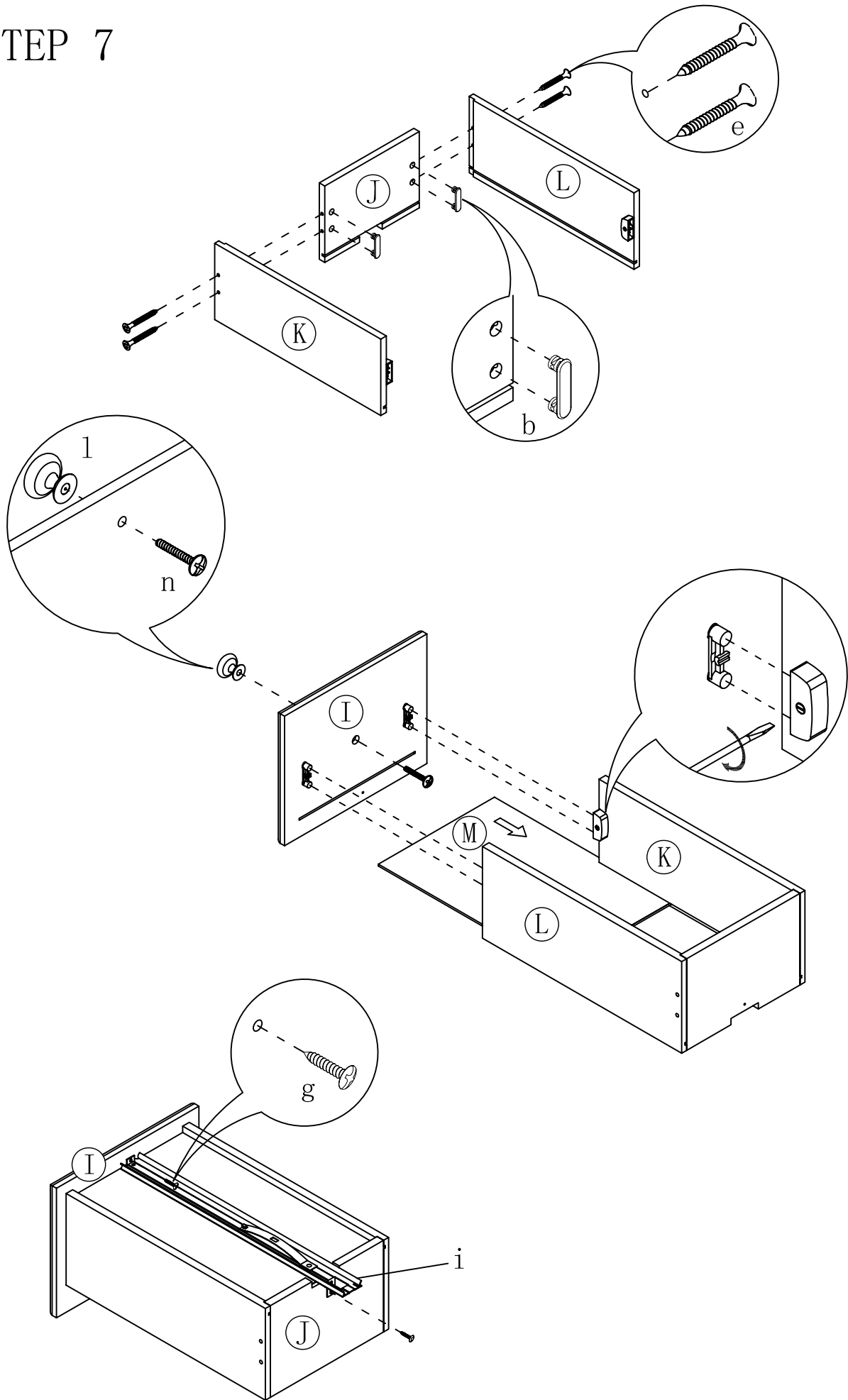




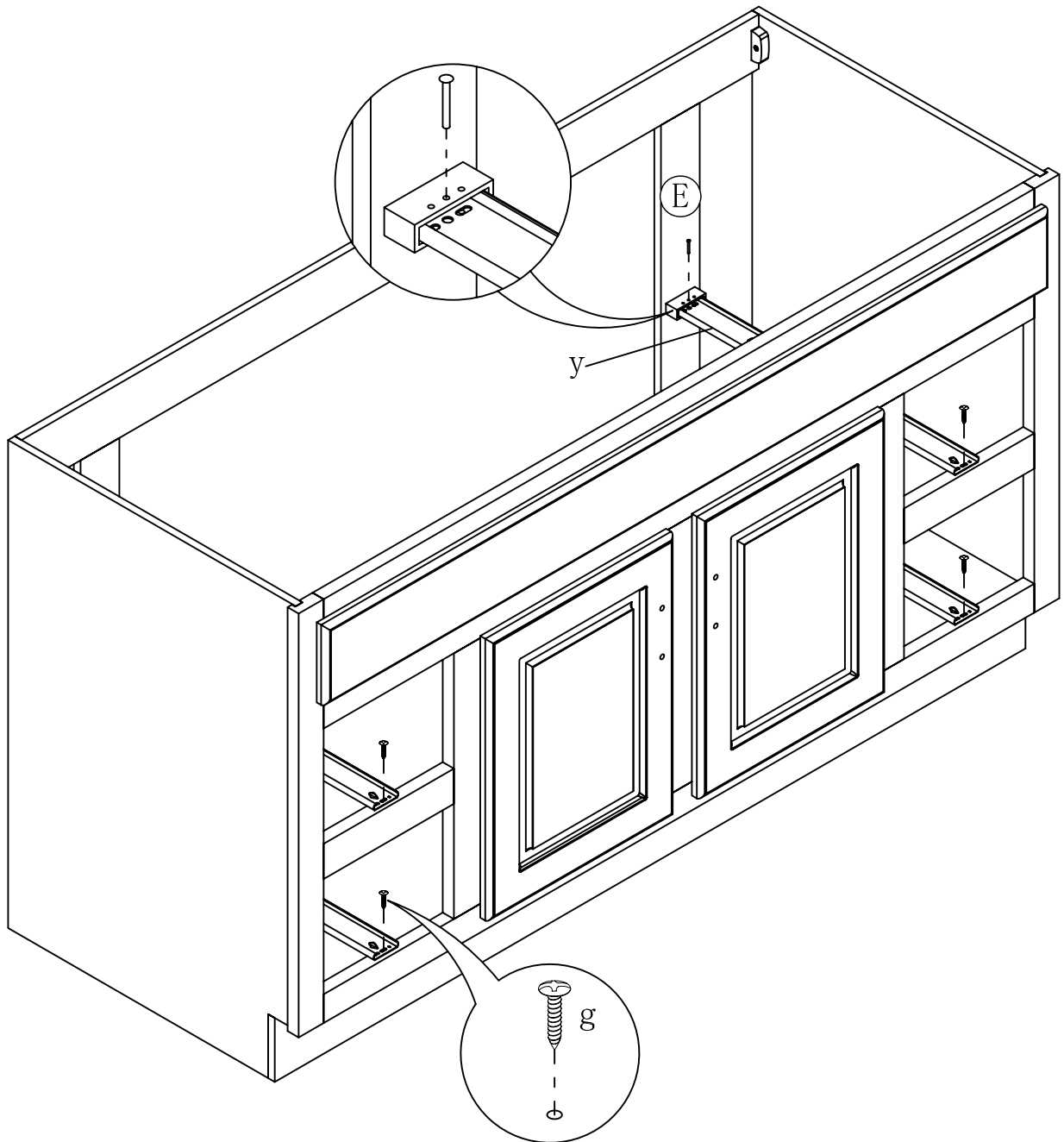
# STEP 6



# STEP 7



# STEP 8



# STEP 9

