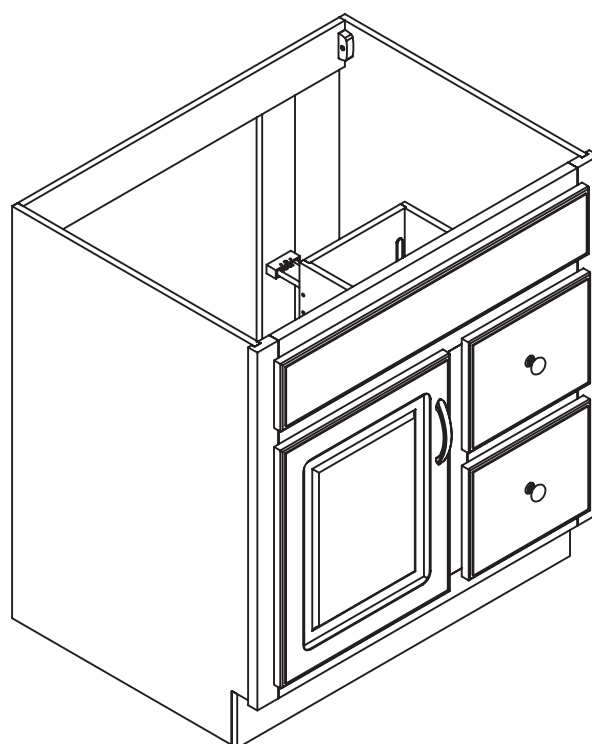




**ADVANCED**  
GLOBAL COMMERCE

---

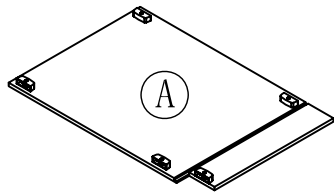


531269 541011 531285 541037

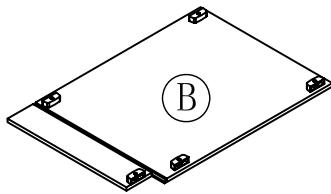
# ASSEMBLY INSTRUCTIONS

---

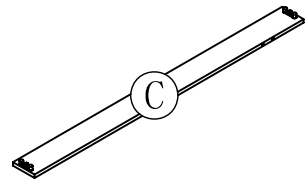
# PARTS LIST:



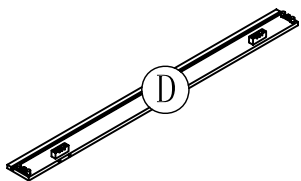
LEFT SIDE PANEL 1PC



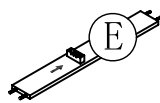
RIGHT SIDE PANEL 1PC



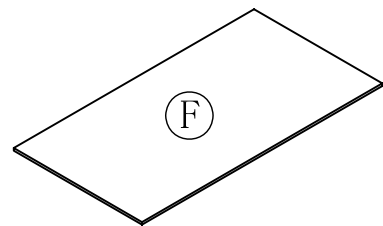
BACK UP CROSS  
BRACE 1PC



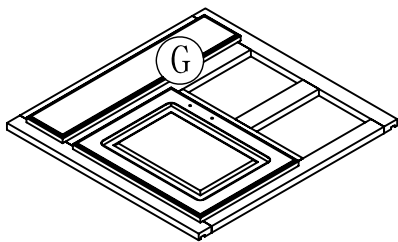
BACK DOWN CROSS  
BRACE 1PC



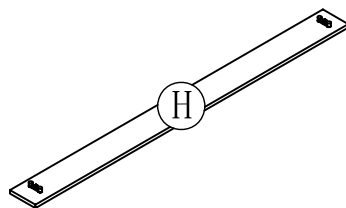
BACK PARTITION  
PANEL 1PC



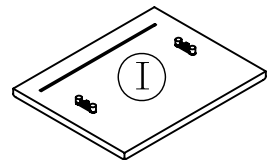
BOTTOM PANEL 1PC



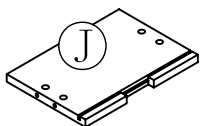
FRONT FRAME 1PC



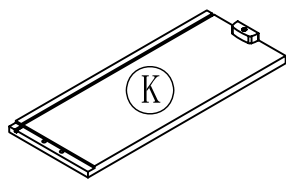
TOE KICK PANEL 1PC



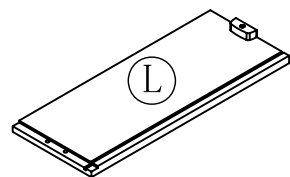
DRAWER FRONT  
PANEL 2PCS



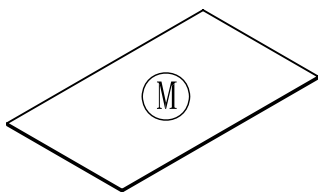
DRAWER BACK  
PANEL 2PCS



DRAWER LEFT  
SIDE PANEL 2PCS

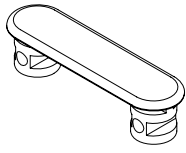


DRAWER RIGHT  
SIDE PANEL 2PCS

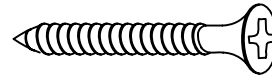


DRAWER BOTTOM  
PANEL 2PCS

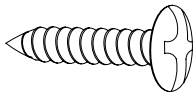
# HARDWARE LIST:



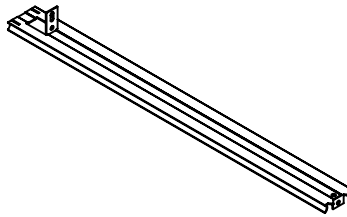
b. PLASTIC ANCHORS 4PCS



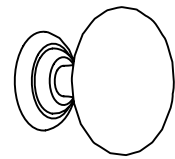
e. 1-1/4" L FLAT HEAD  
SCREW 8PCS



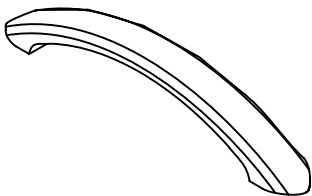
g. ROUND HEAD SCREW  
(FOR DRAWER GUIDE) 6PCS



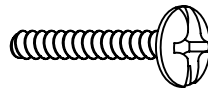
i. DRAWER GUIDE (1) 2PCS



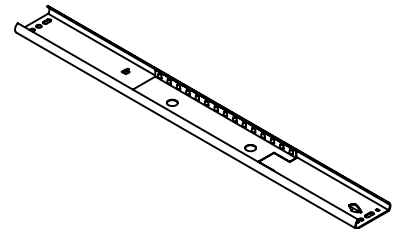
l. KNOB 2PCS



m. HANDLE 1PC

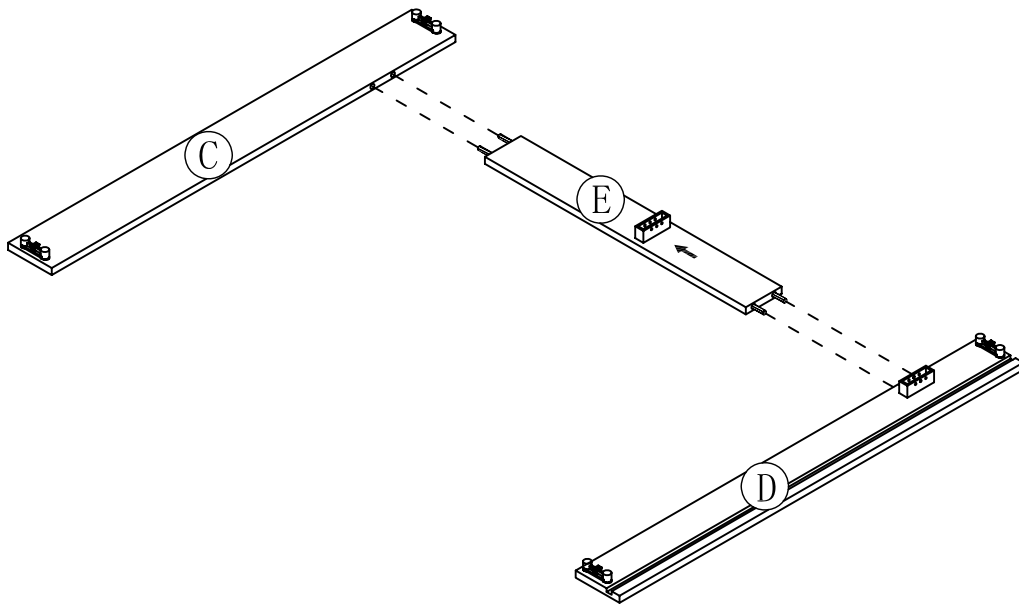


n. HANDLE (KNOB)  
BOLT 4PCS

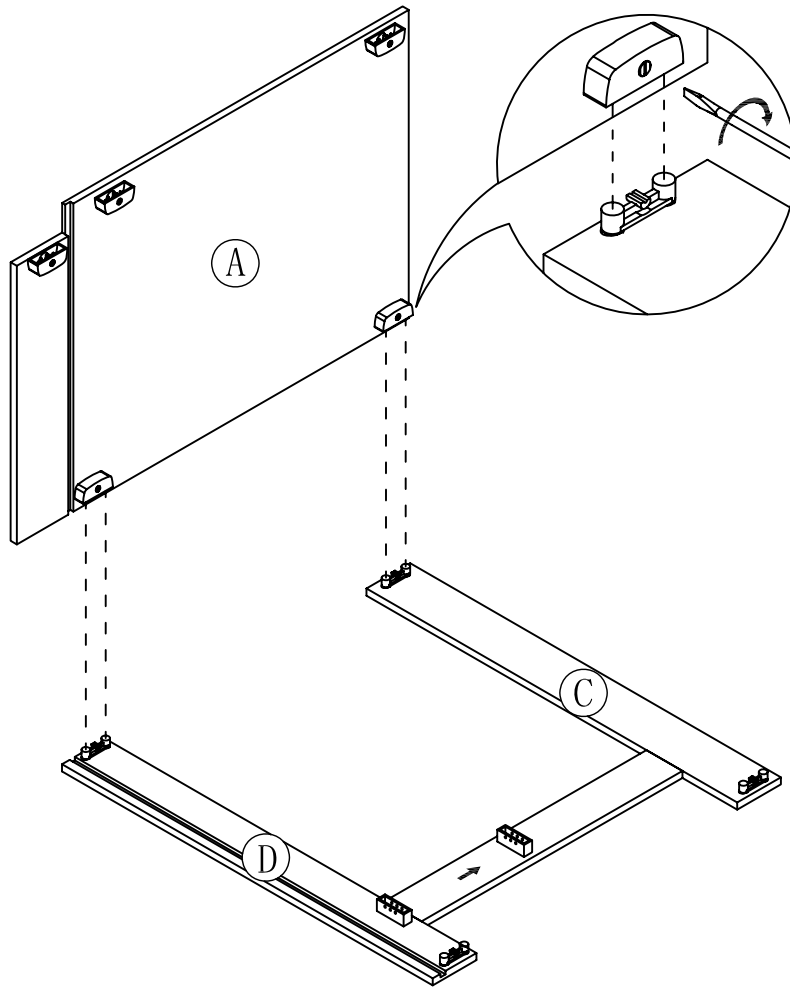


y. DRAWER GUIDE (2) 2PCS

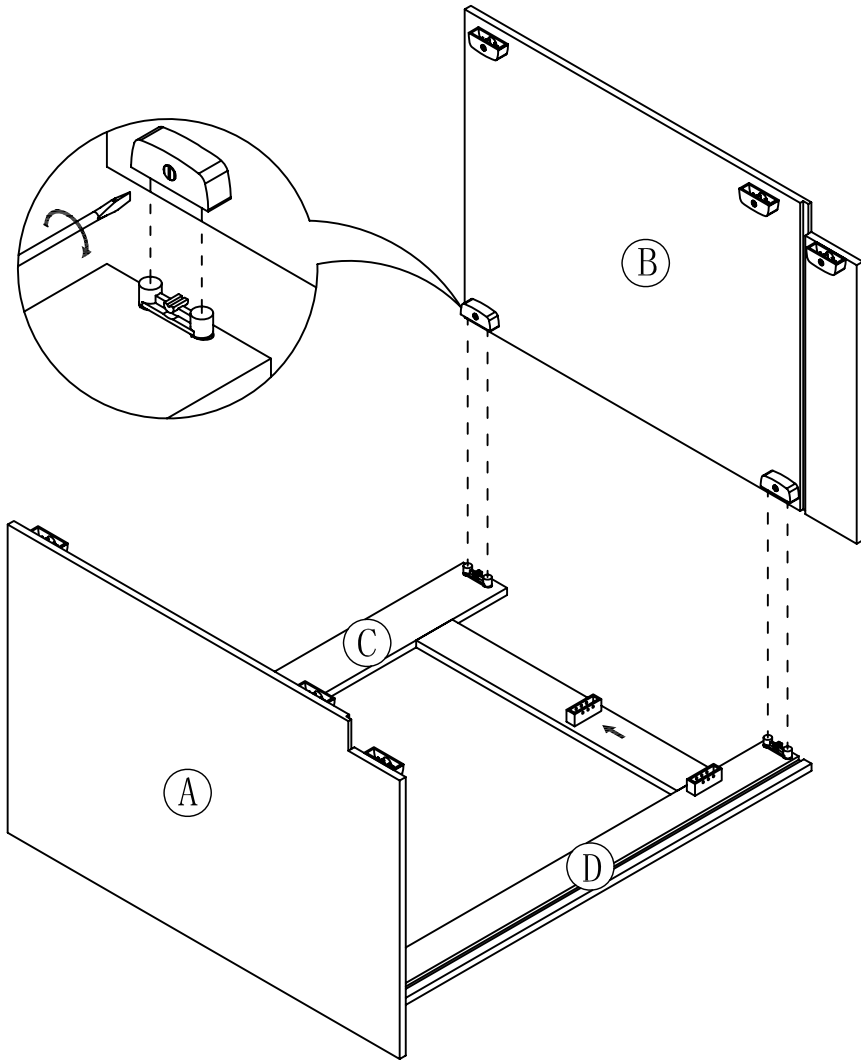
# STEP 1



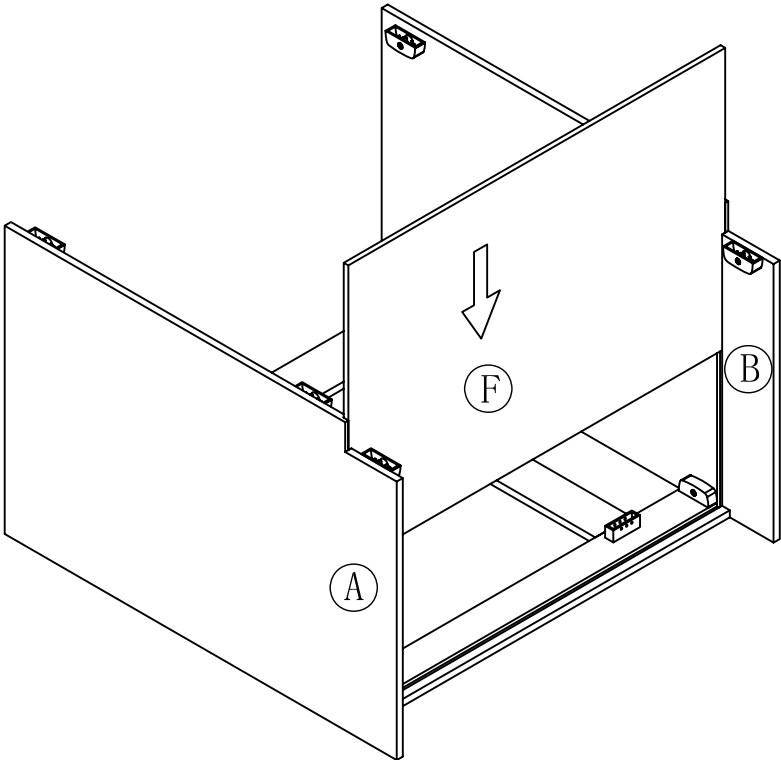
# STEP 2



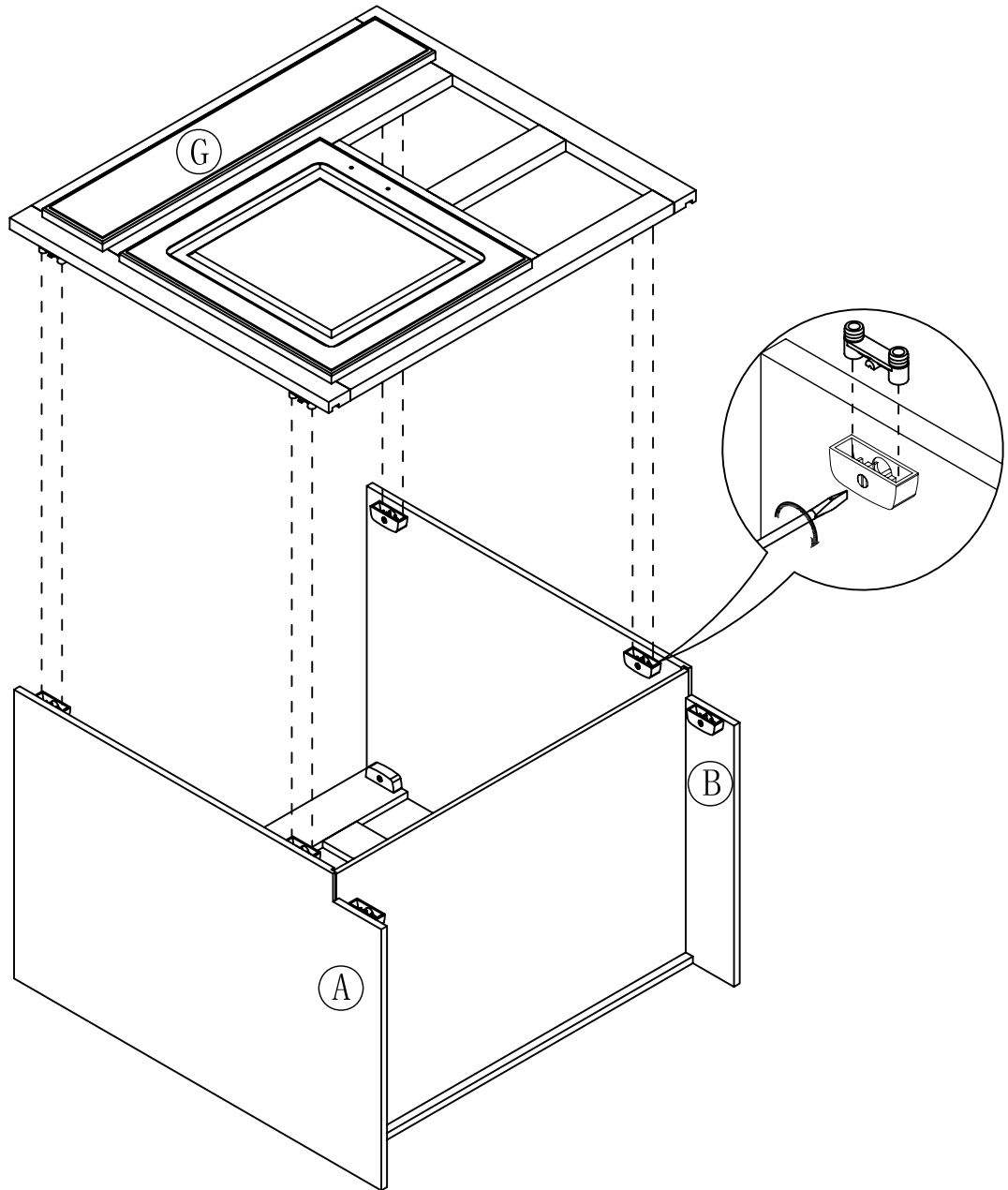
# STEP 3



STEP 4

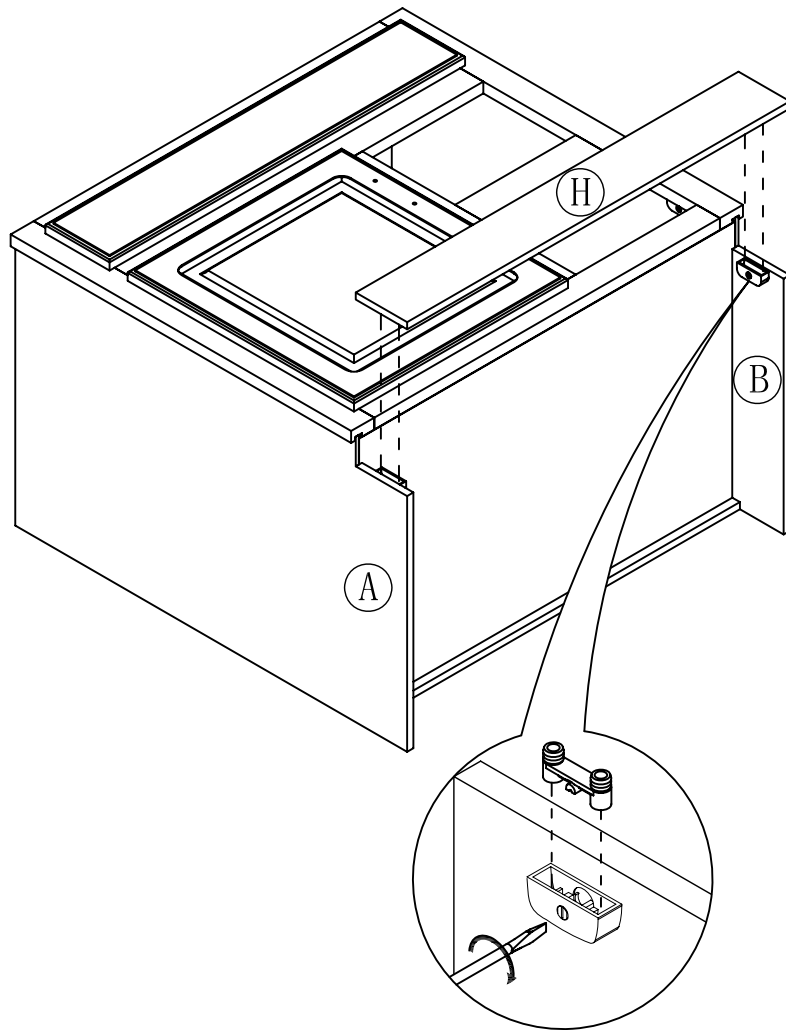


# STEP 5

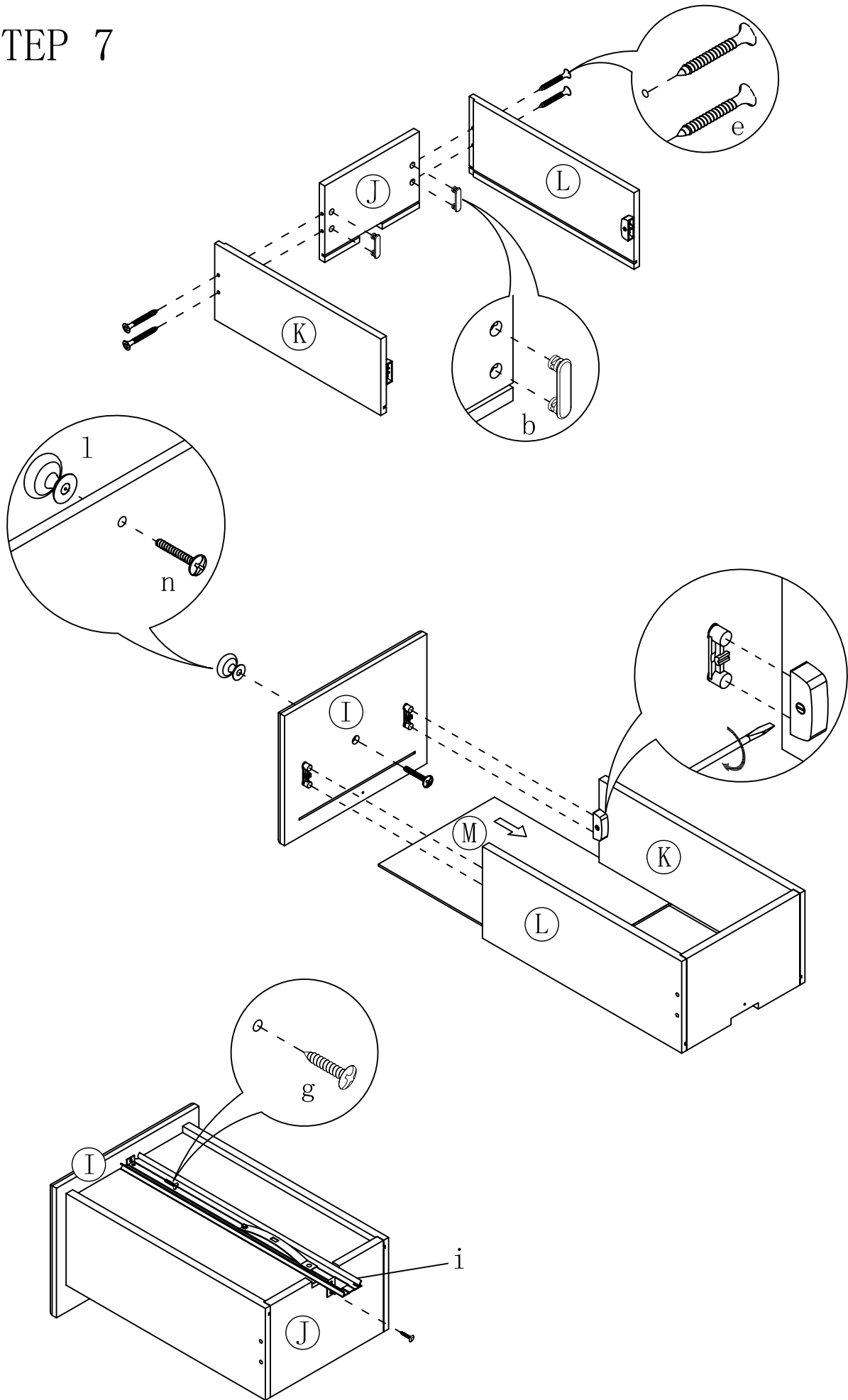




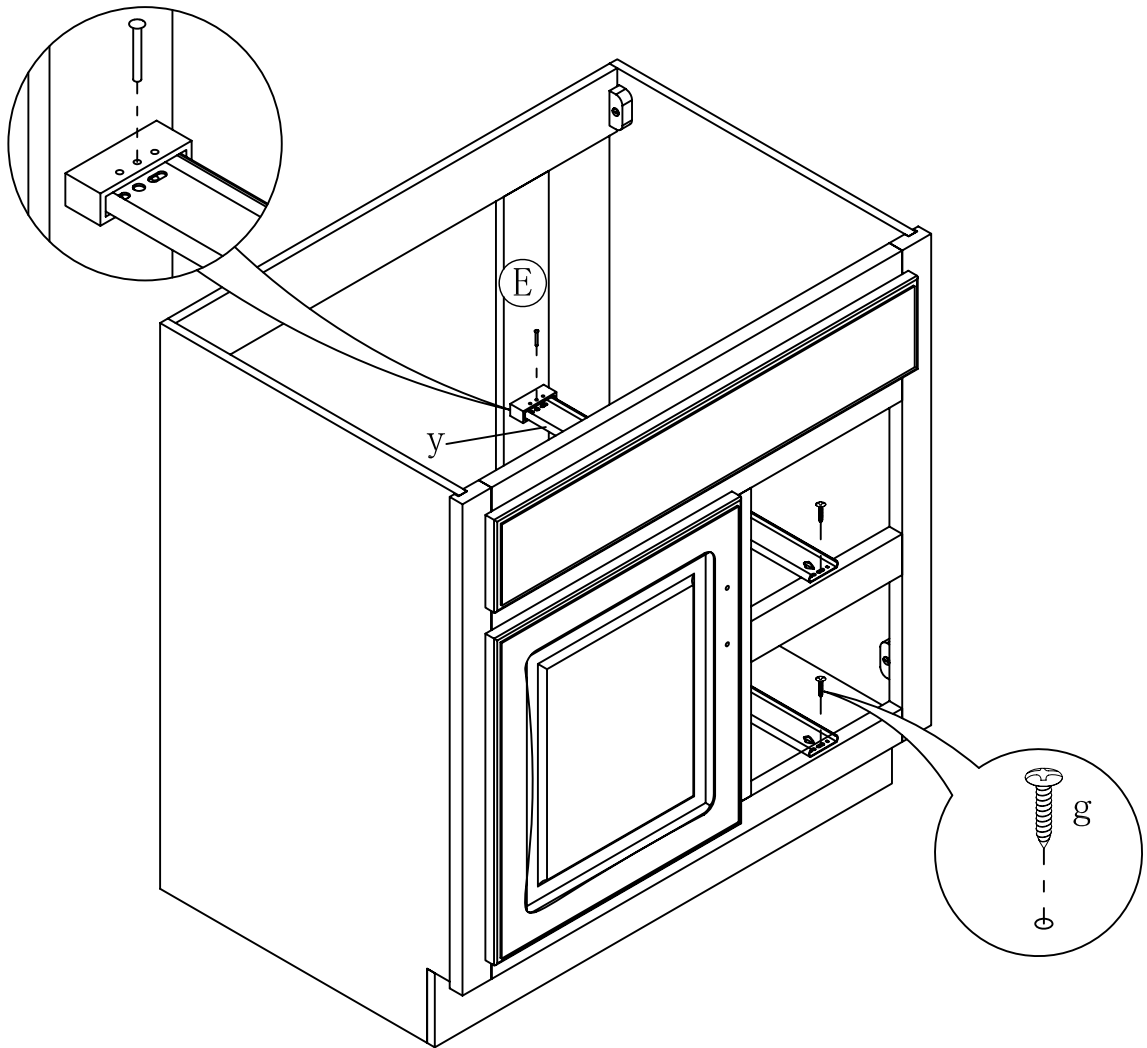
# STEP 6



# STEP 7



# STEP 8



# STEP 9

