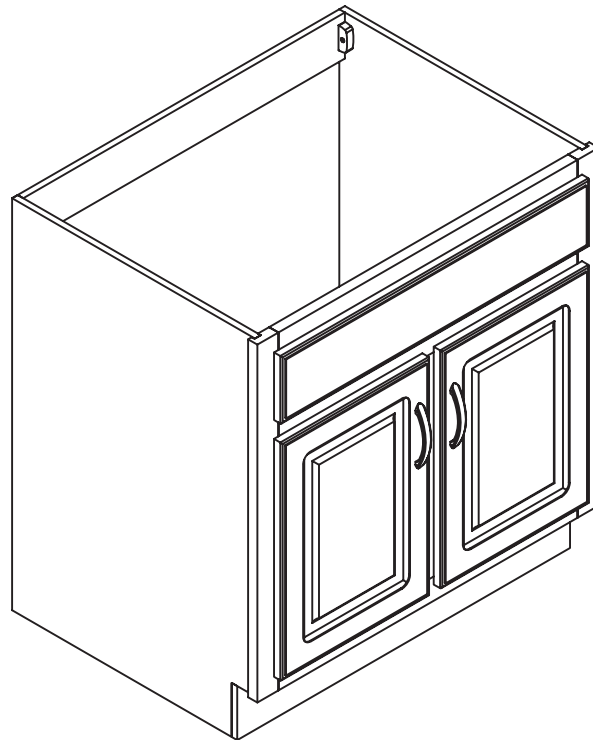




**ADVANCED**  
GLOBAL COMMERCE

---

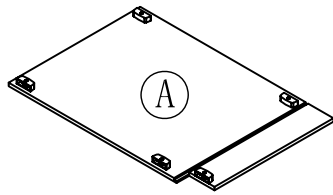


531251 541029 531277 541045

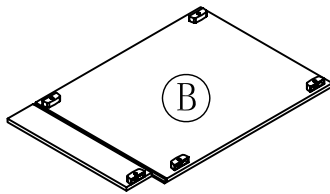
# ASSEMBLY INSTRUCTIONS

---

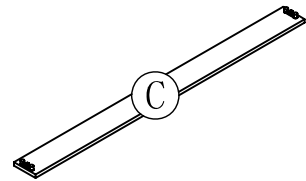
## PARTS LIST:



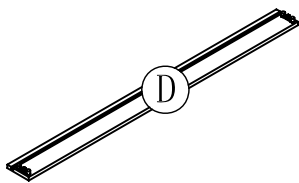
LEFT SIDE PANEL 1PC



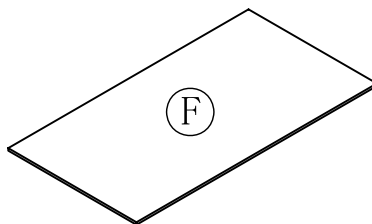
RIGHT SIDE PANEL 1PC



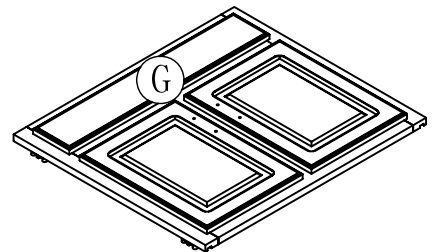
BACK UP CROSS  
BRACE 1PC



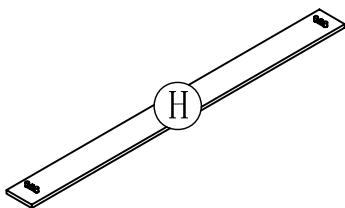
BACK DOWN CROSS  
BRACE 1PC



BOTTOM PANEL 1PC

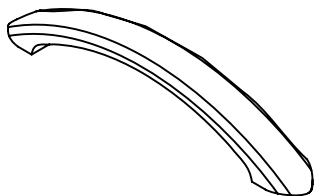


FRONT FRAME 1PC

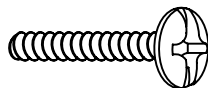


TOE KICK PANEL 1PC

## HARDWARE LIST:

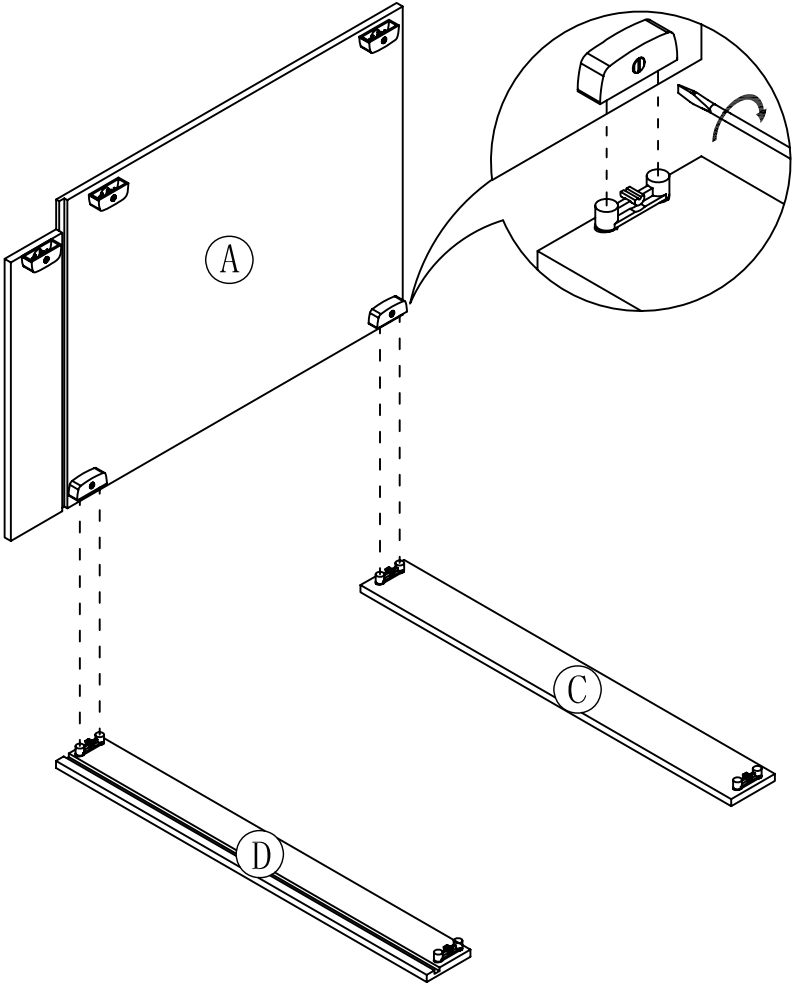


m. HANDLE 2PCS

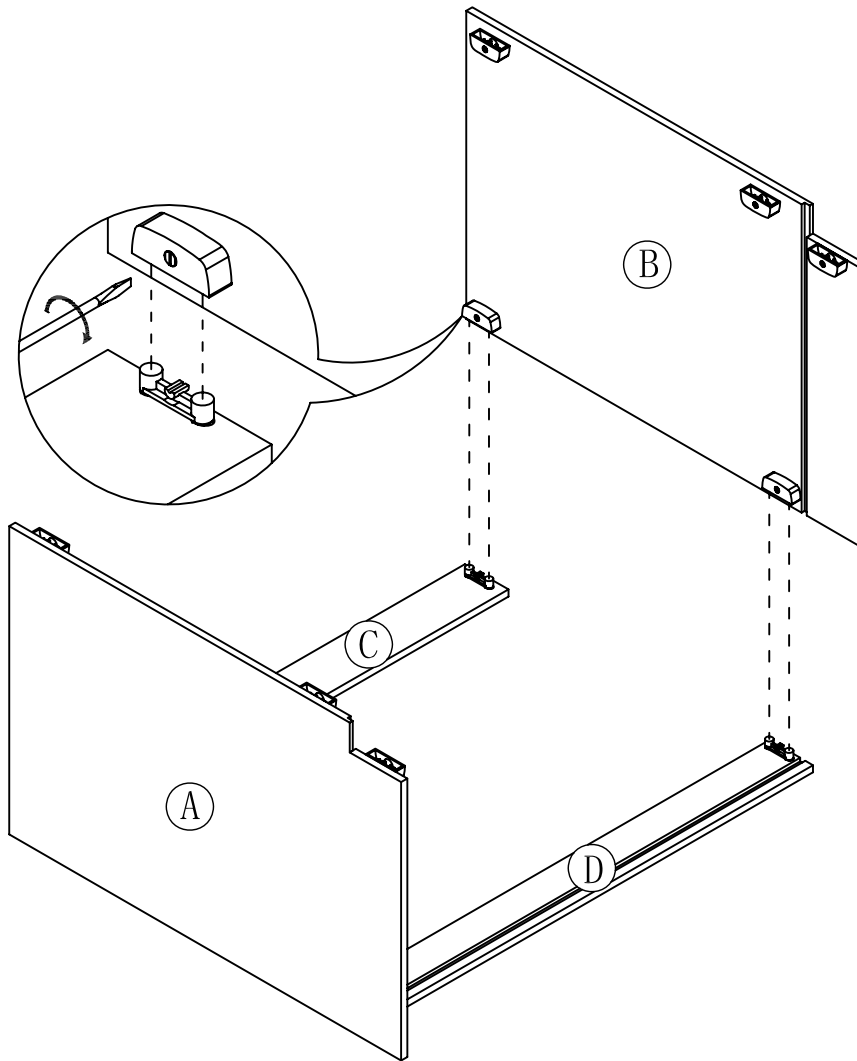


n. HANDLE BOLT 4PCS

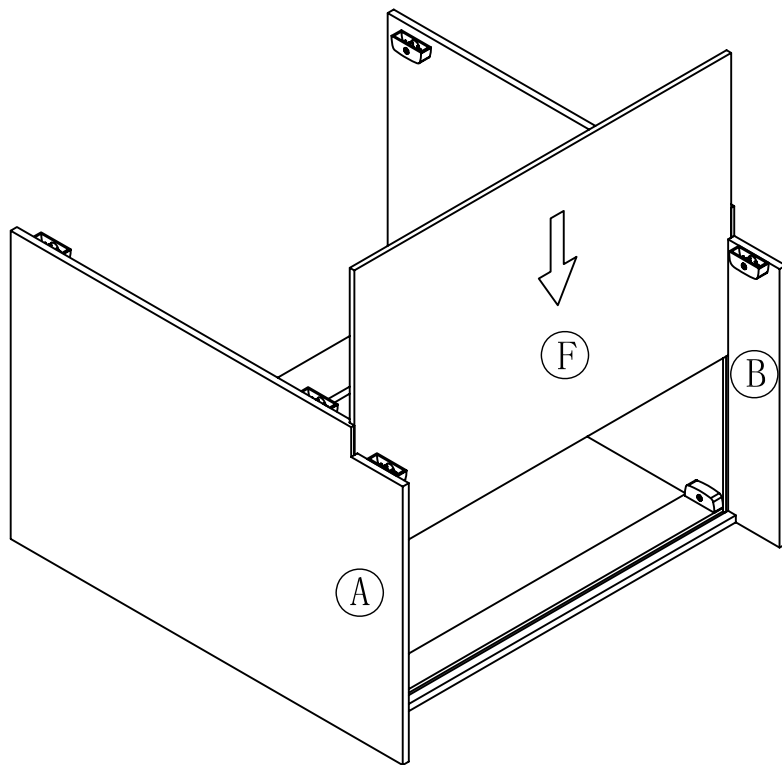
STEP 1



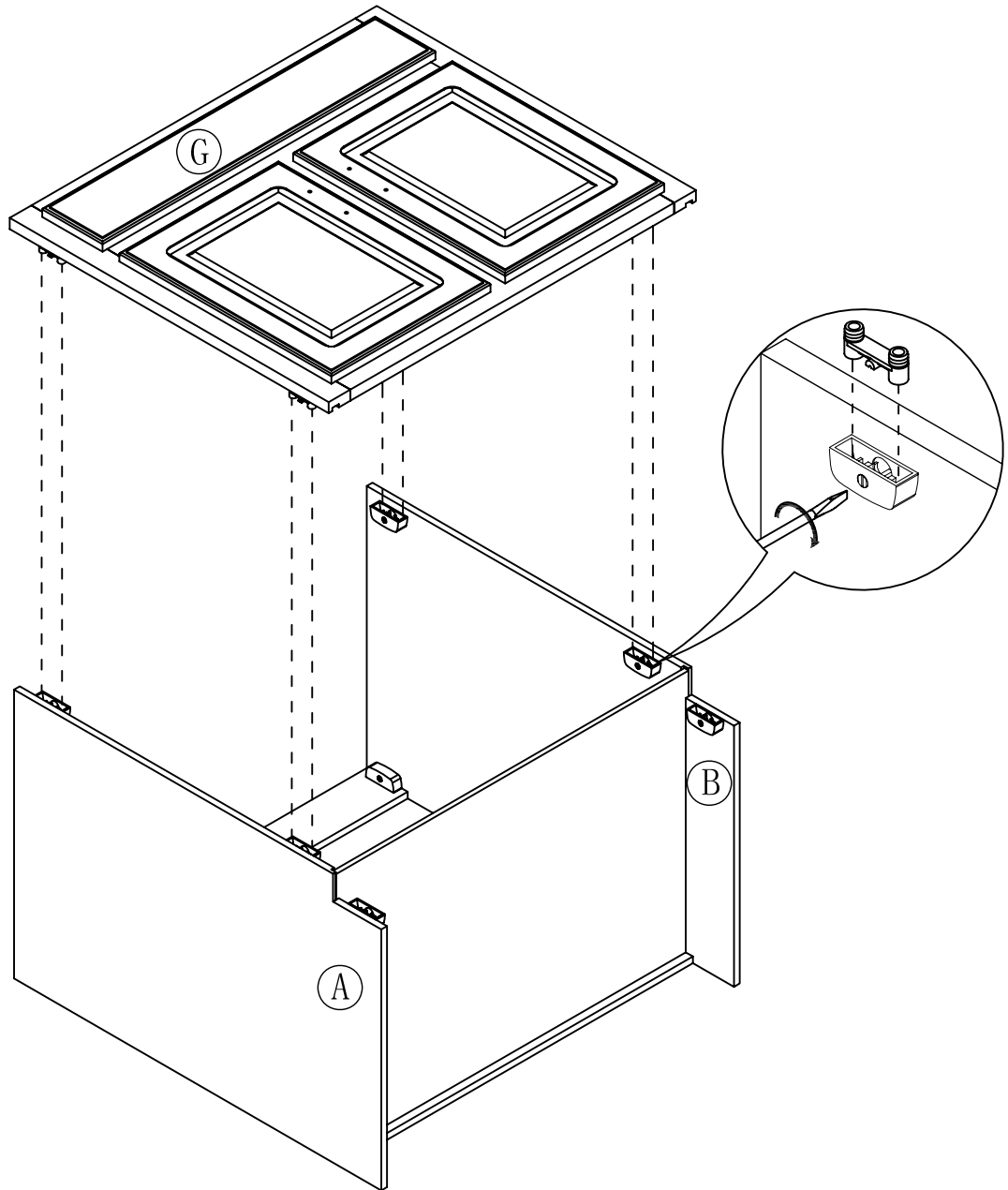
# STEP 2



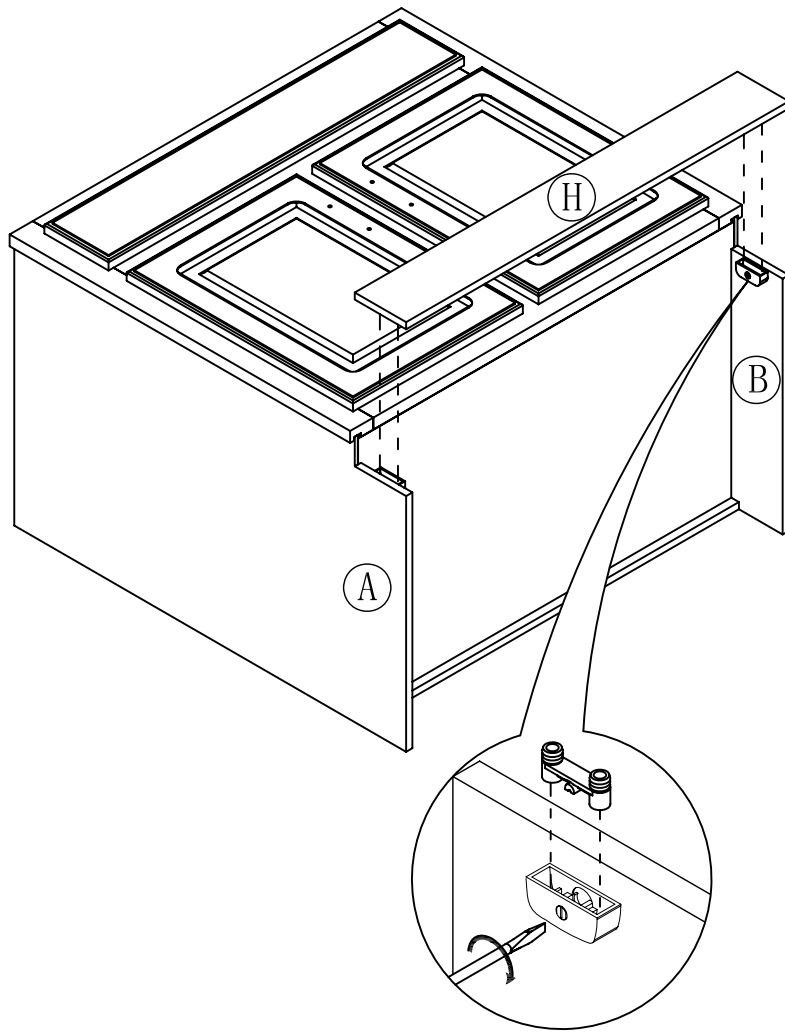
# STEP 3



# STEP 4



# STEP 5



# STEP 6

