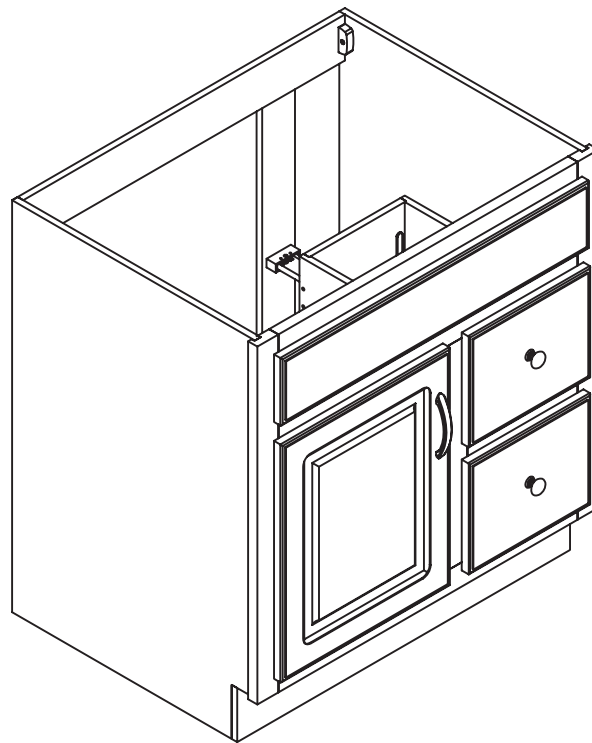




**ADVANCED**  
GLOBAL COMMERCE

---

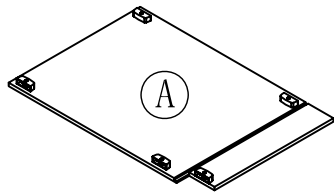


531269 541011 531285 541037

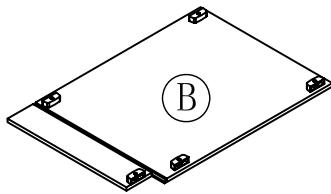
# ASSEMBLY INSTRUCTIONS

---

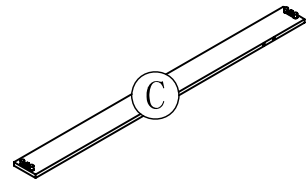
# PARTS LIST:



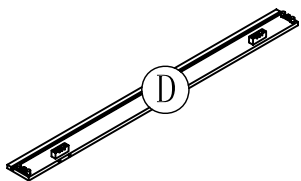
LEFT SIDE PANEL 1PC



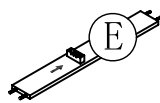
RIGHT SIDE PANEL 1PC



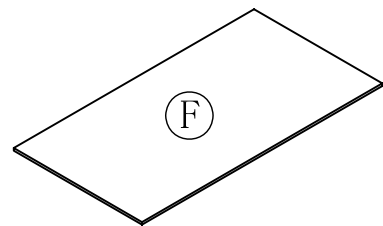
BACK UP CROSS BRACE 1PC



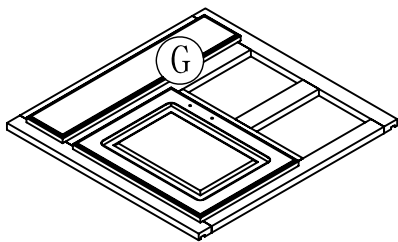
BACK DOWN CROSS BRACE 1PC



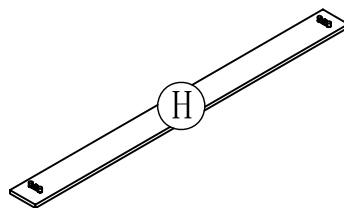
BACK PARTITION PANEL 1PC



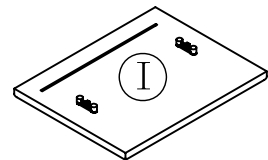
BOTTOM PANEL 1PC



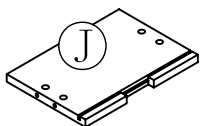
FRONT FRAME 1PC



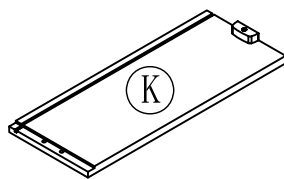
TOE KICK PANEL 1PC



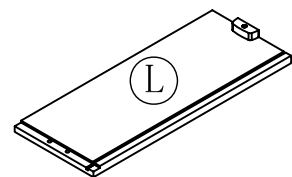
DRAWER FRONT PANEL 2PCS



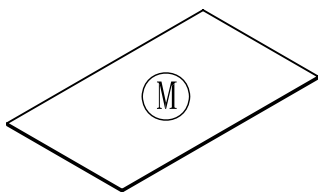
DRAWER BACK PANEL 2PCS



DRAWER LEFT SIDE PANEL 2PCS

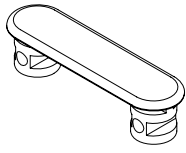


DRAWER RIGHT SIDE PANEL 2PCS

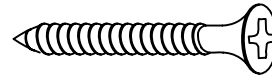


DRAWER BOTTOM PANEL 2PCS

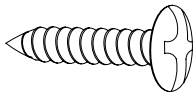
# HARDWARE LIST:



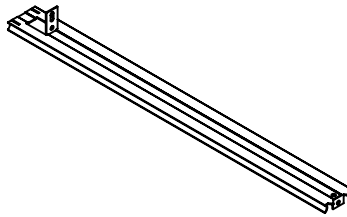
b. PLASTIC ANCHORS 4PCS



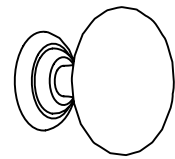
e. 1-1/4" L FLAT HEAD  
SCREW 8PCS



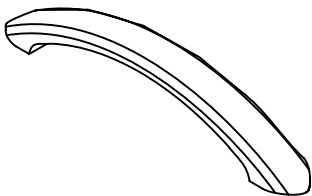
g. ROUND HEAD SCREW  
(FOR DRAWER GUIDE) 6PCS



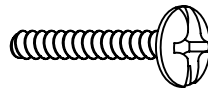
i. DRAWER GUIDE (1) 2PCS



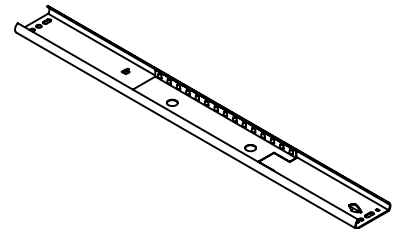
l. KNOB 2PCS



m. HANDLE 1PC

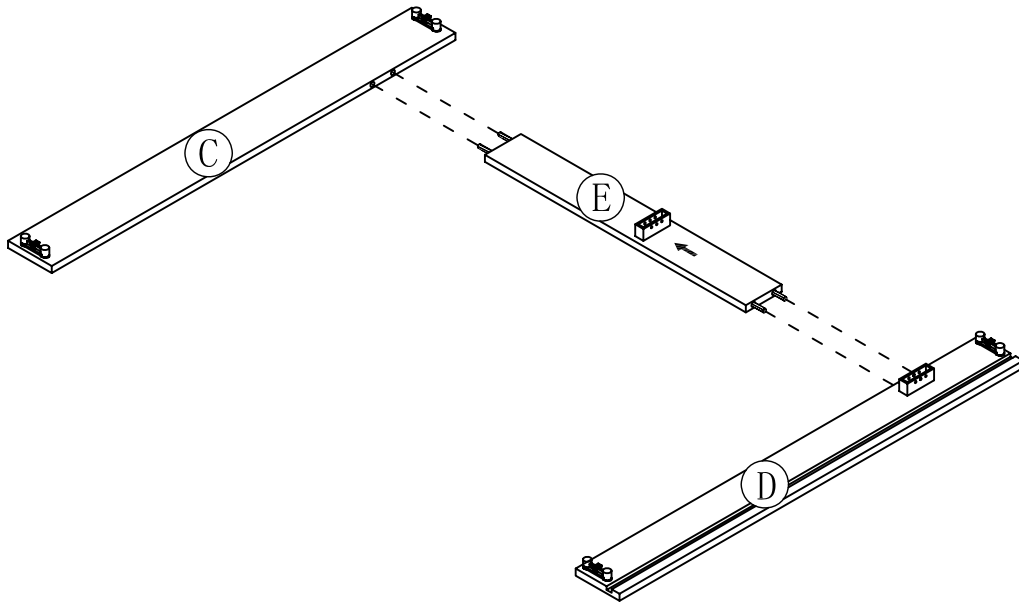


n. HANDLE (KNOB)  
BOLT 4PCS

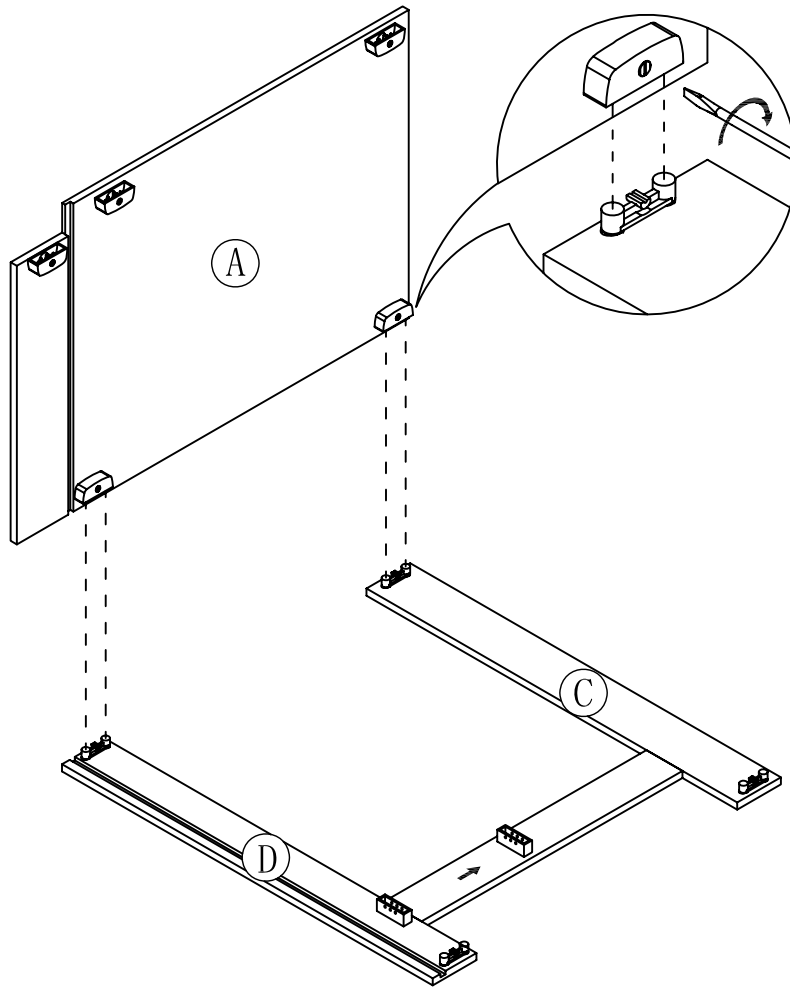


y. DRAWER GUIDE (2) 2PCS

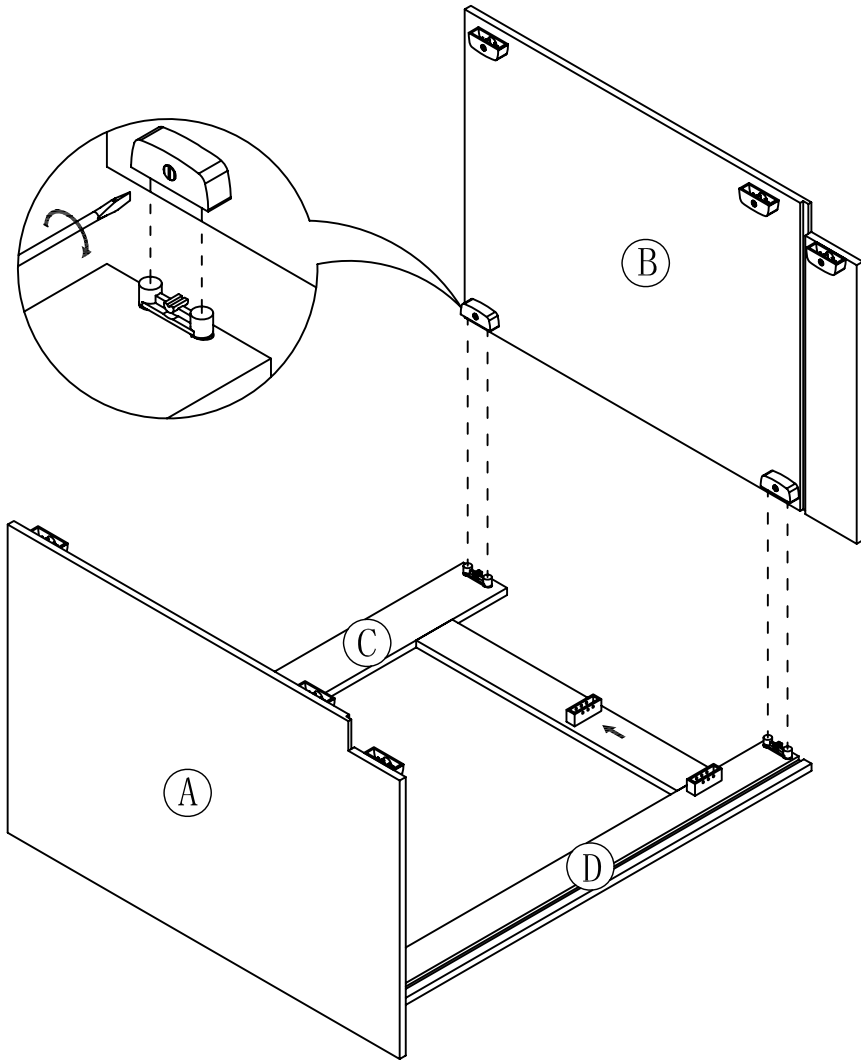
# STEP 1



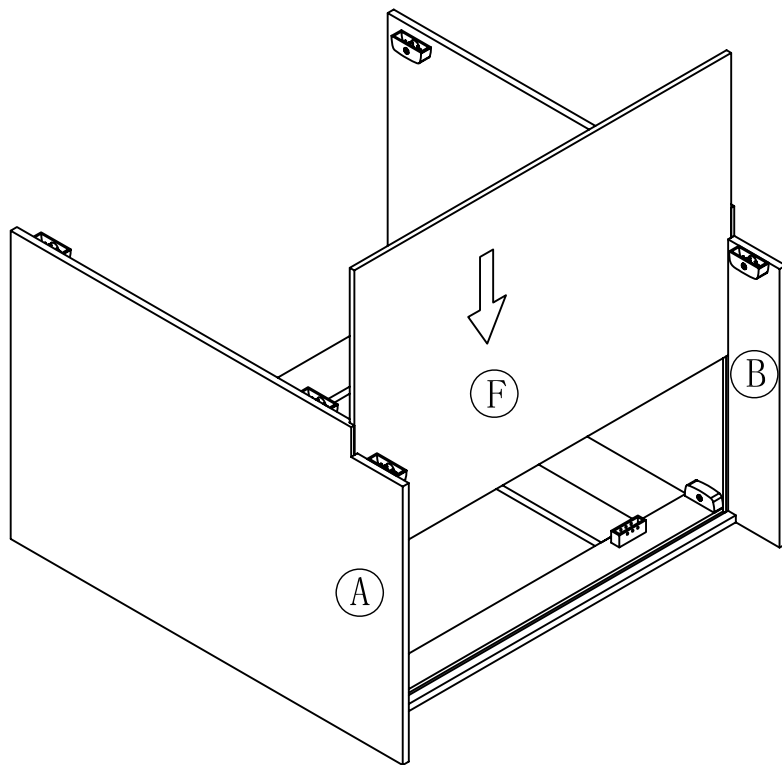
# STEP 2



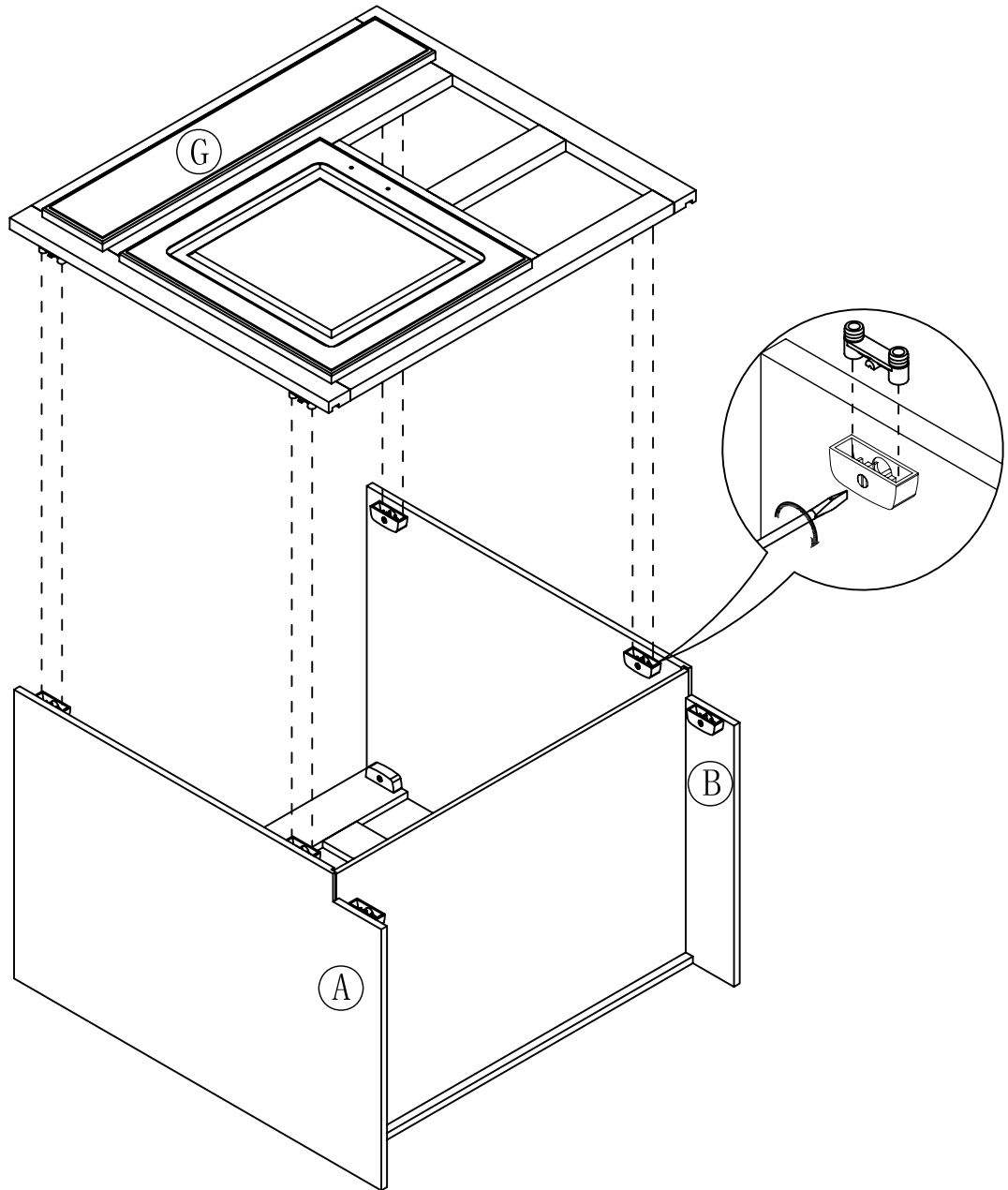
# STEP 3



# STEP 4

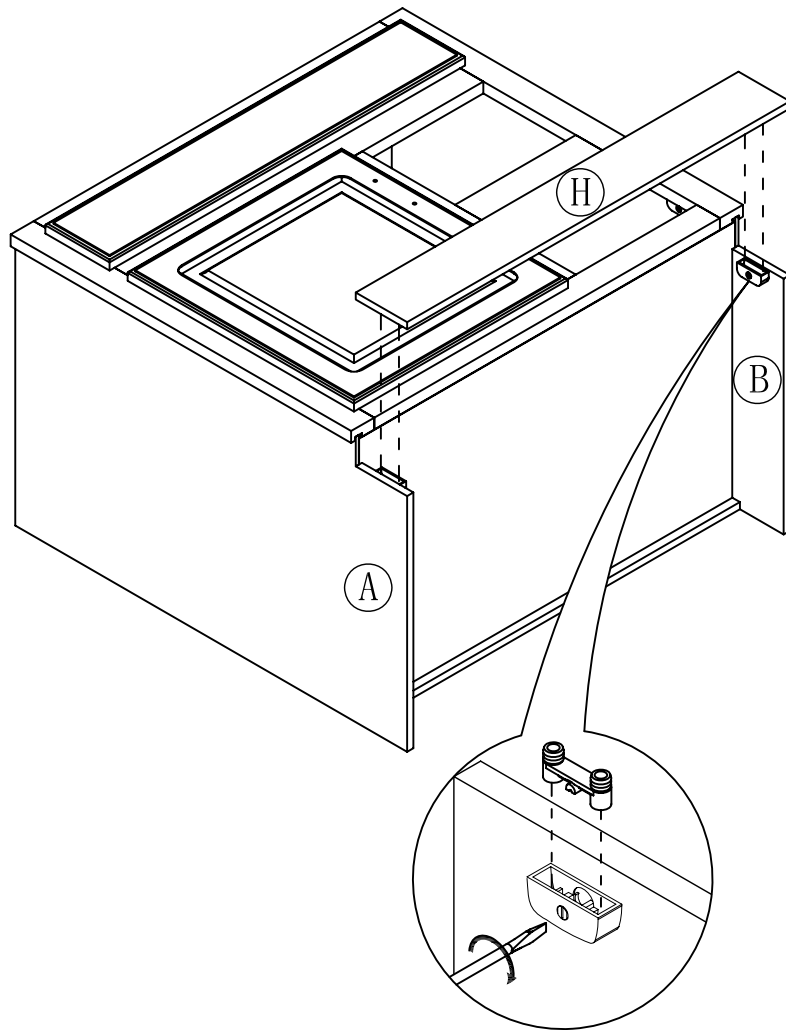


# STEP 5

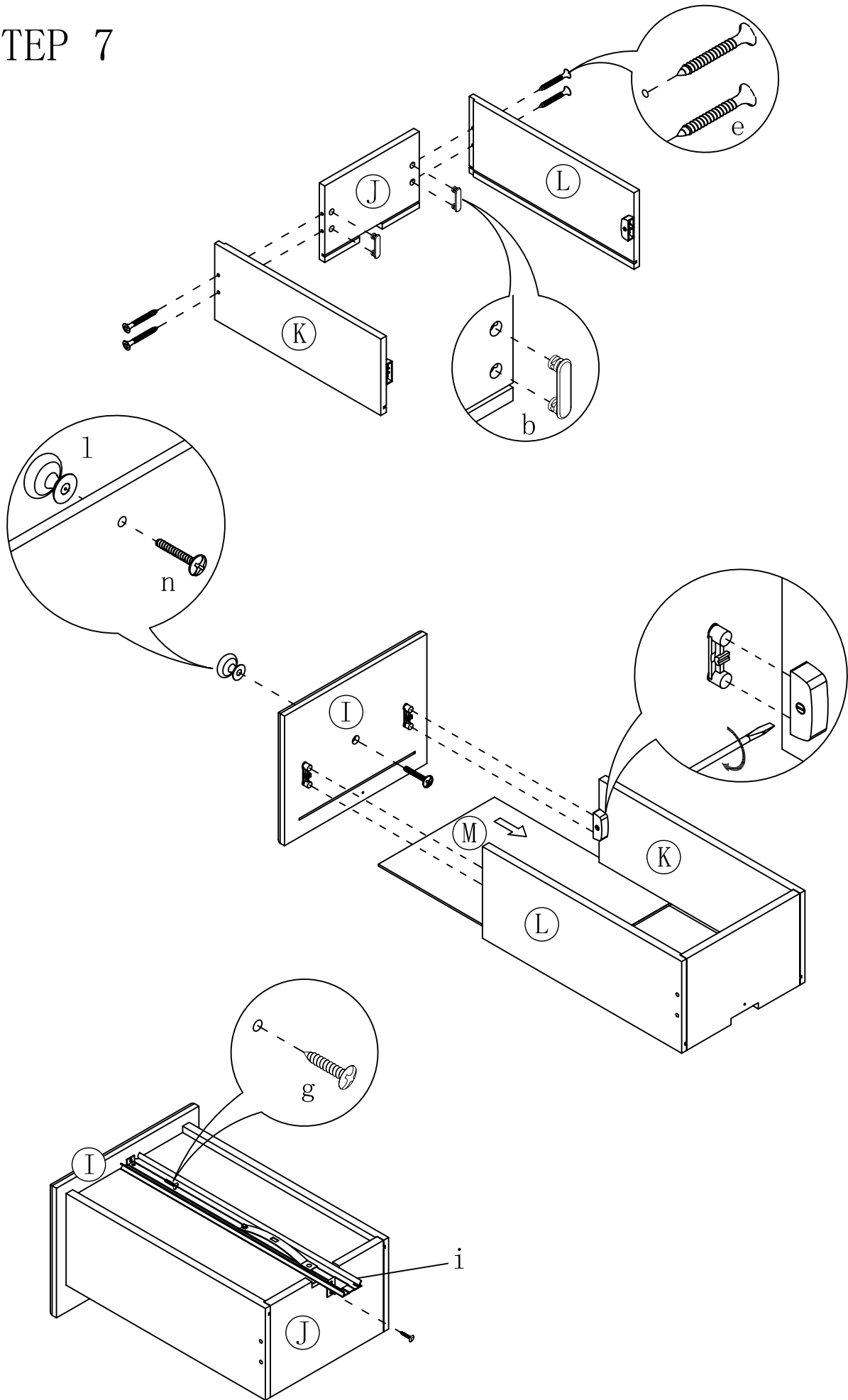




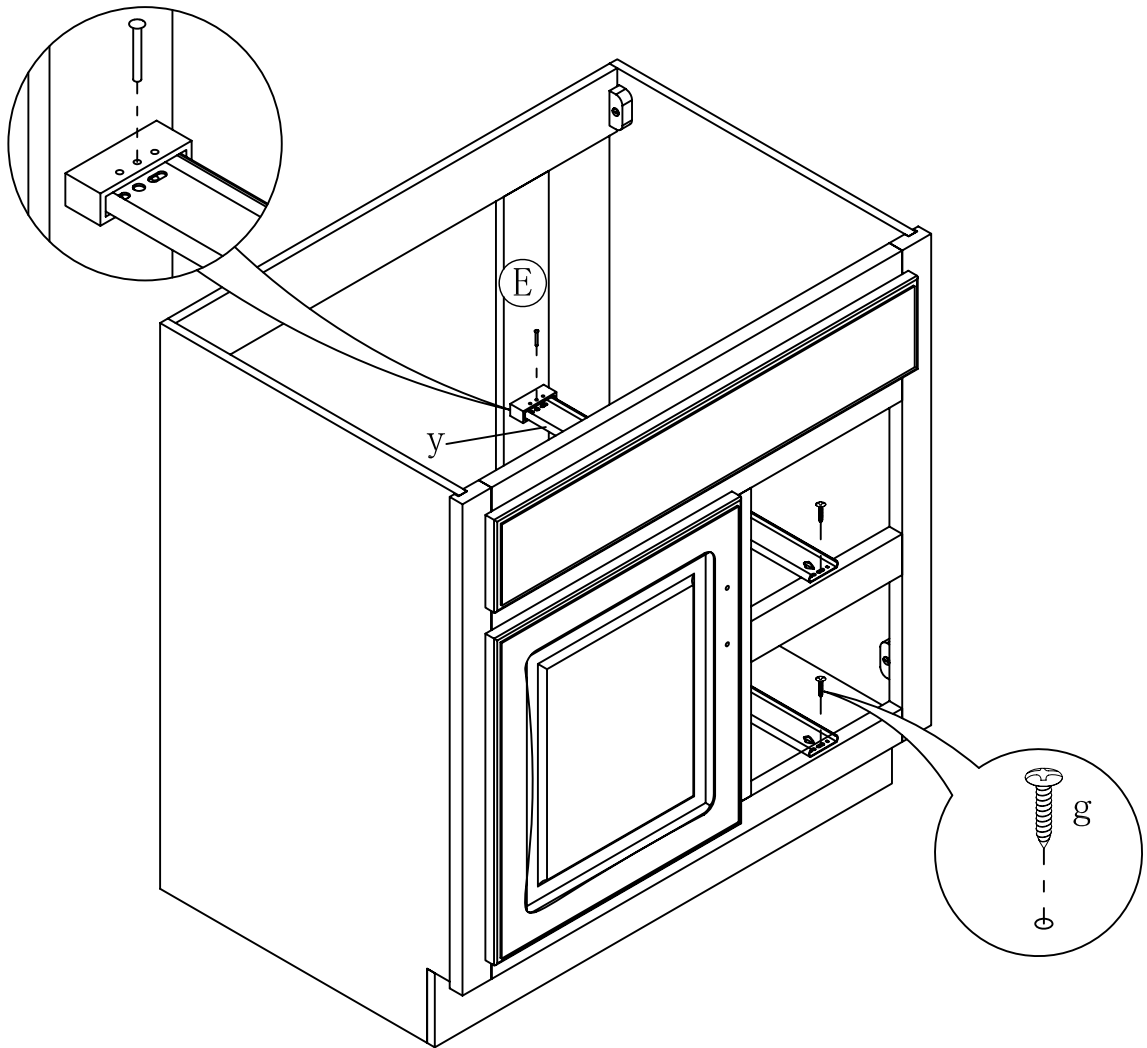
# STEP 6



# STEP 7



# STEP 8



# STEP 9

