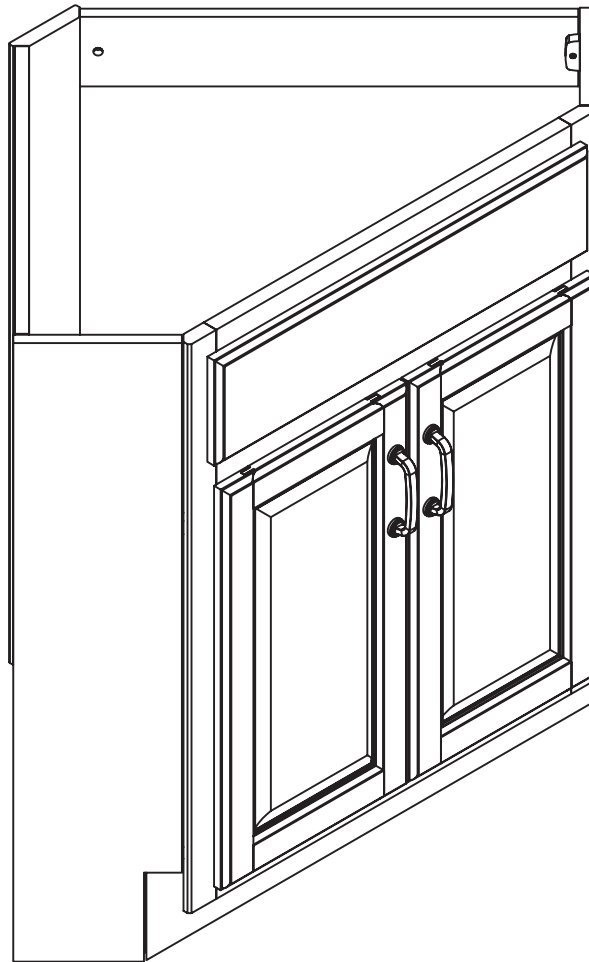




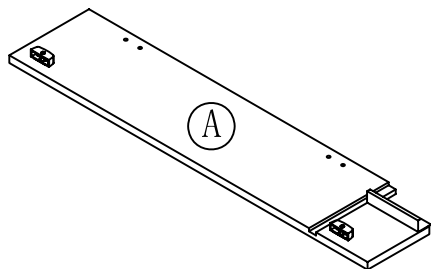
ADVANCED
GLOBAL COMMERCE



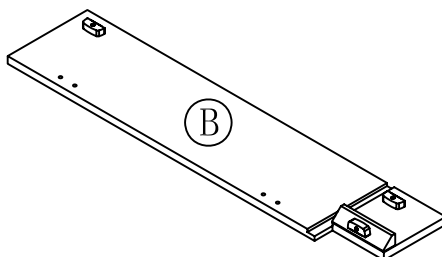
530527

ASSEMBLY INSTRUCTIONS

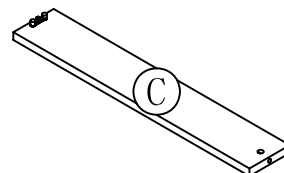
PARTS LIST:



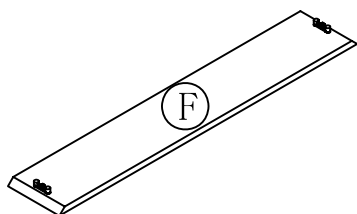
LEFT SIDE PANEL 1PC



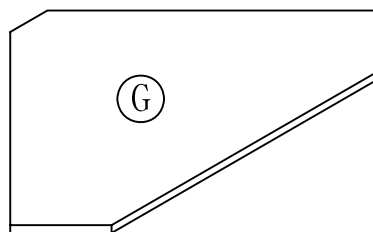
RIGHT SIDE PANEL 1PC



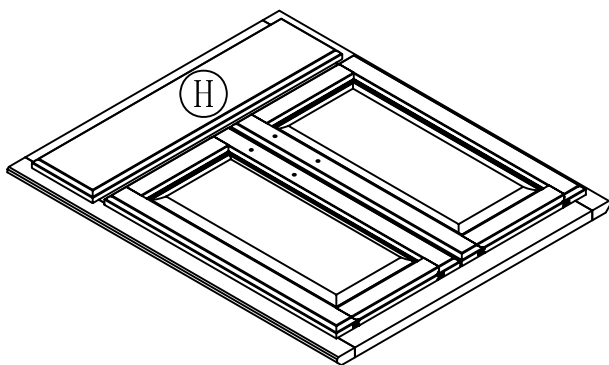
BACK UP CROSS
BRACE 2PCS



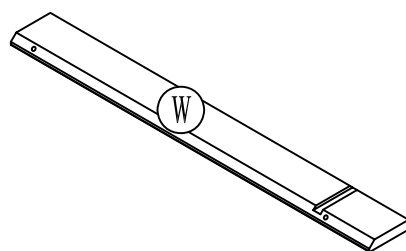
TOE KICK PANEL 1PC



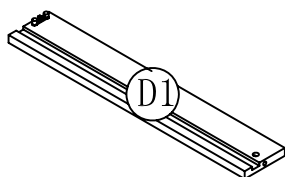
BOTTOM PANEL 1PC



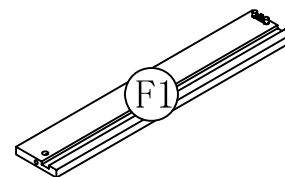
FRONT FRAME 1PC



BACK PANEL 1PC

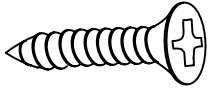


LEFT BACK DOWN CROSS
BRACE 2PCS

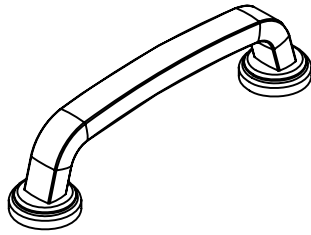


RIGHT BACK DOWN CROSS
BRACE 1PC

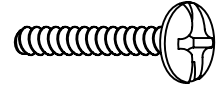
HARDWARE LIST:



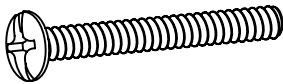
g. 1/2" L FLAT HEAD SCREW
(FOR HINGE) 8PCS



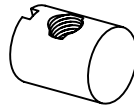
m. HANDLE 2PCS



n. HANDLE BOLT 4PCS

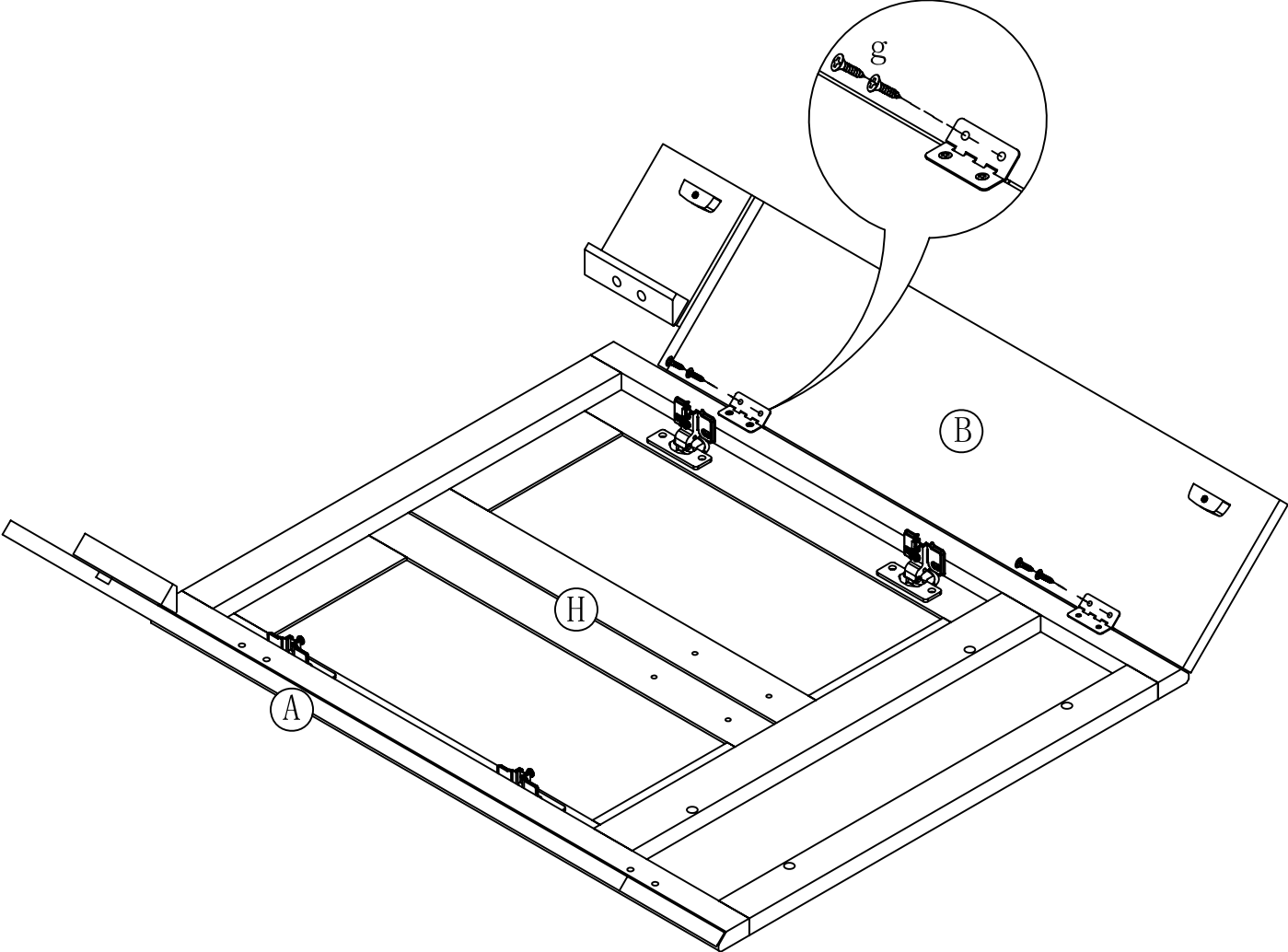


y. PHILIP HEAD SCREW 4PCS

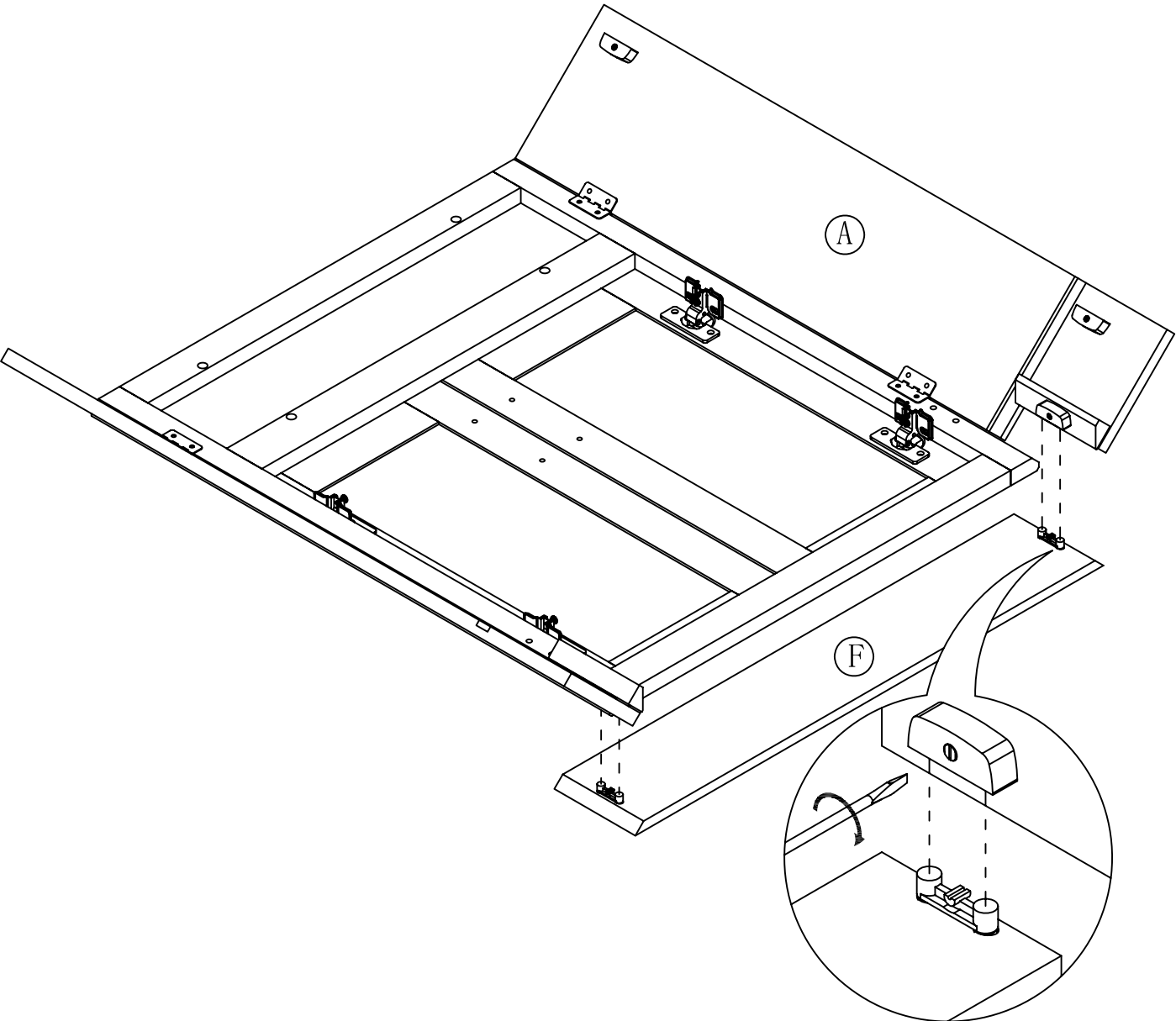


z. "T" NUT 4PCS

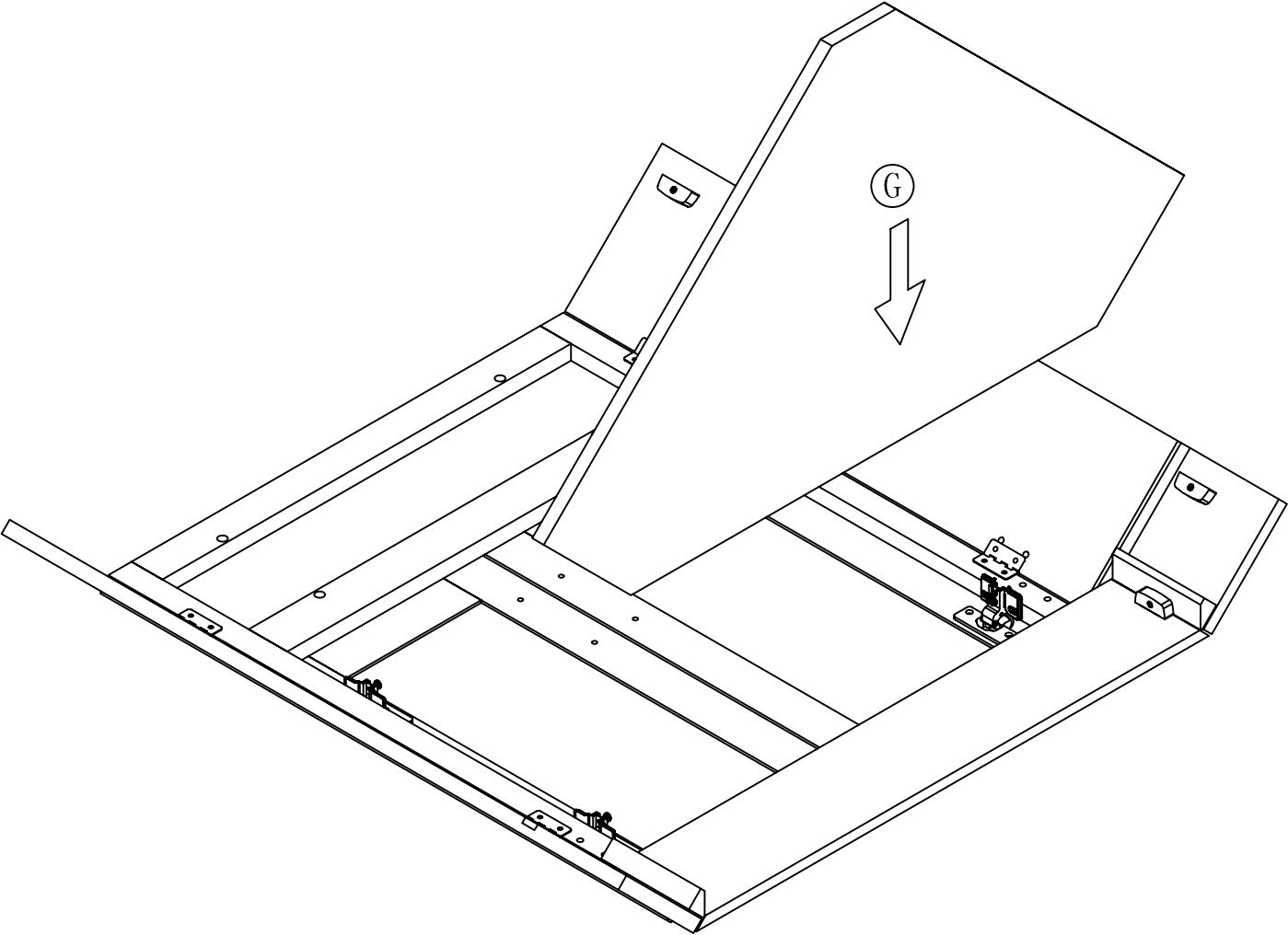
STEP 1



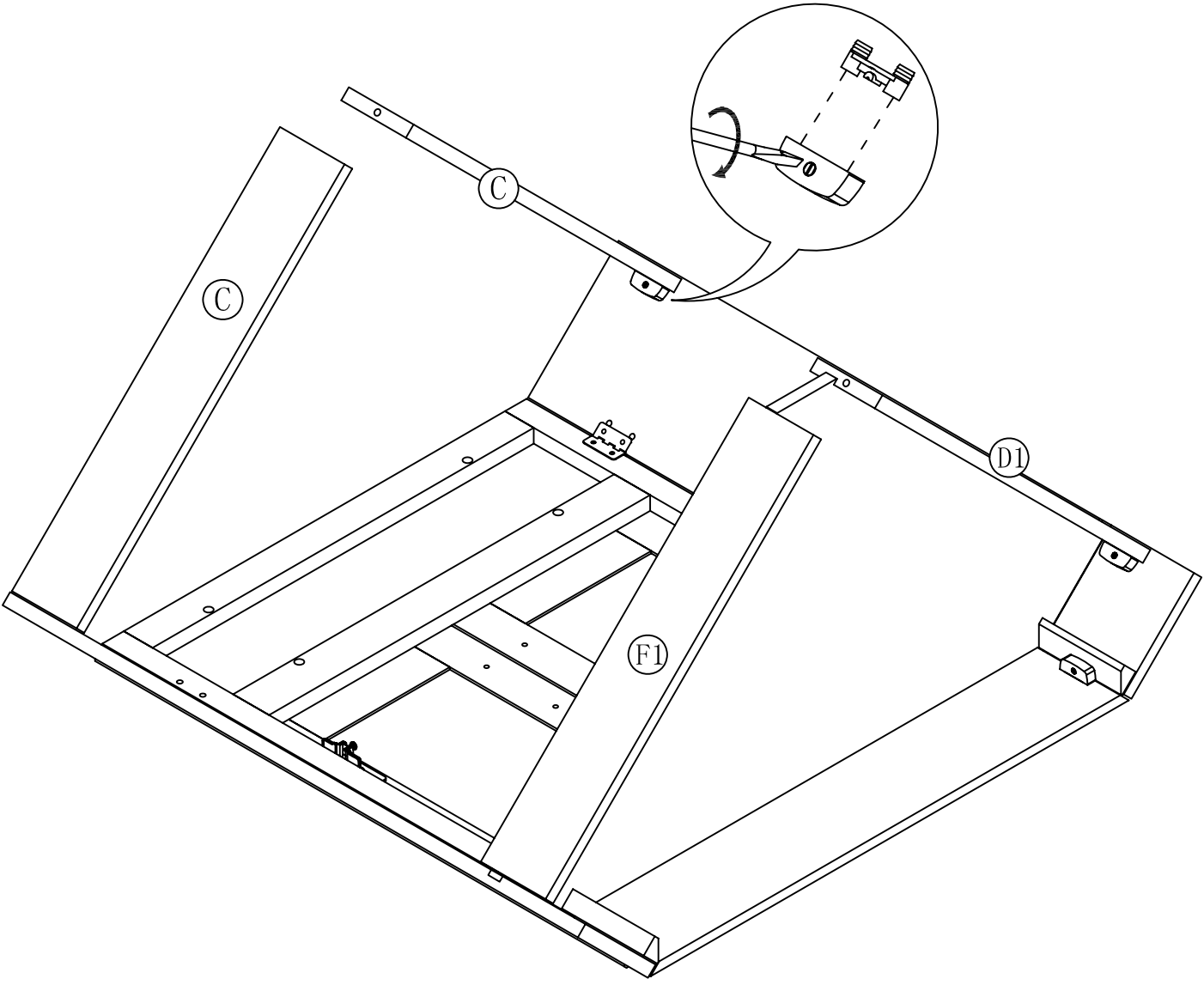
STEP 2



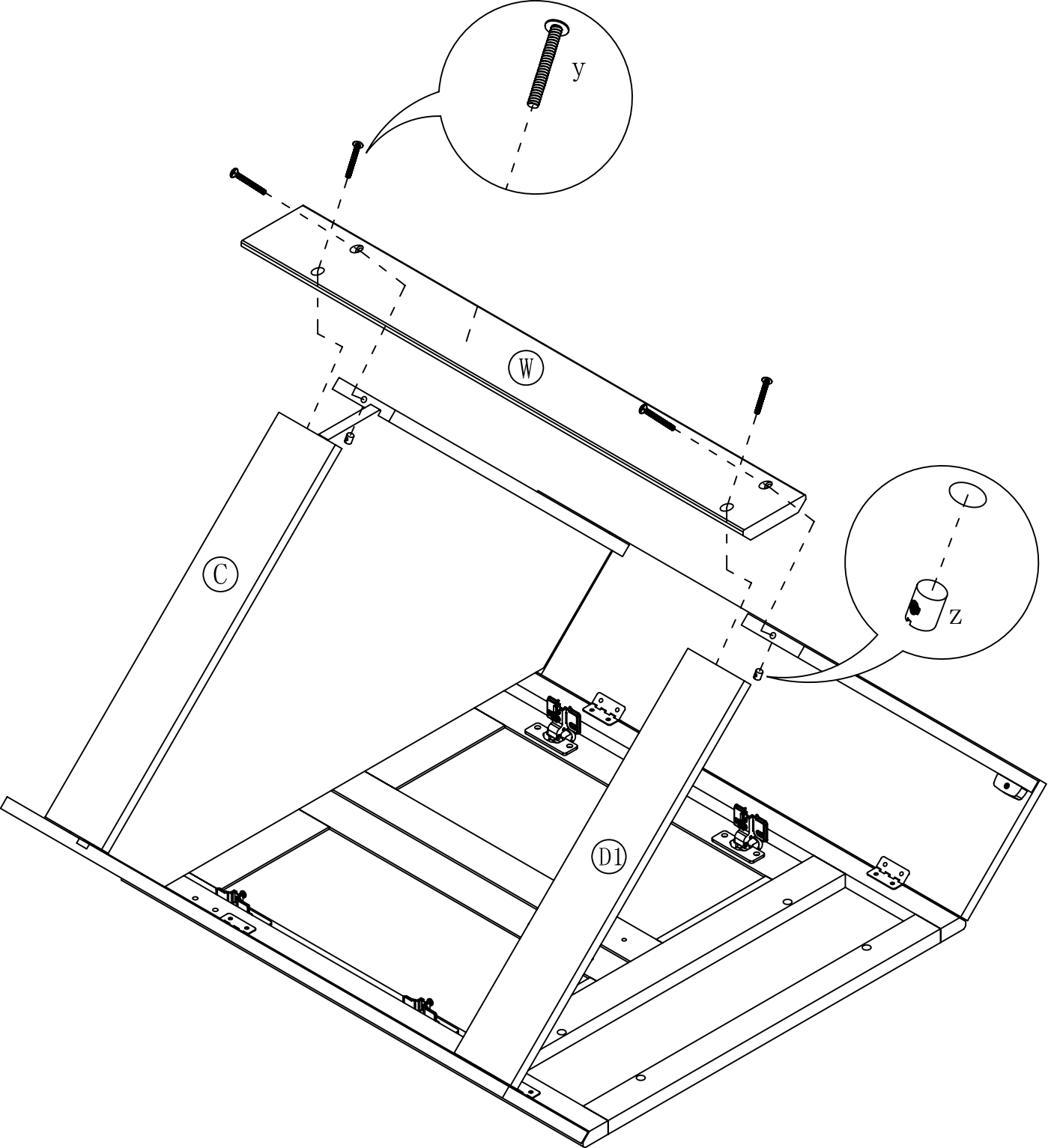
STEP 3



STEP 4



STEP 5



STEP 6

