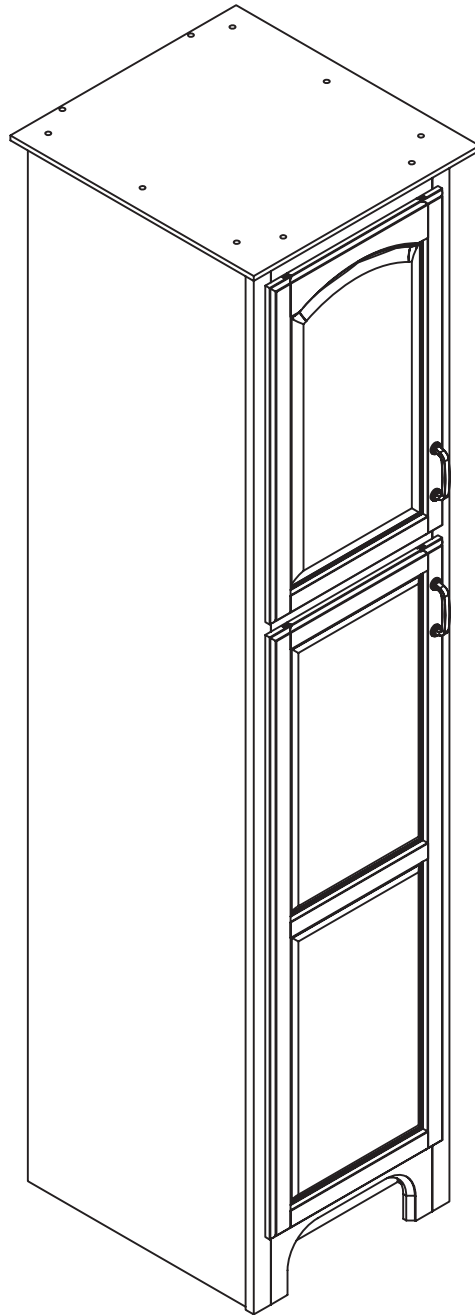




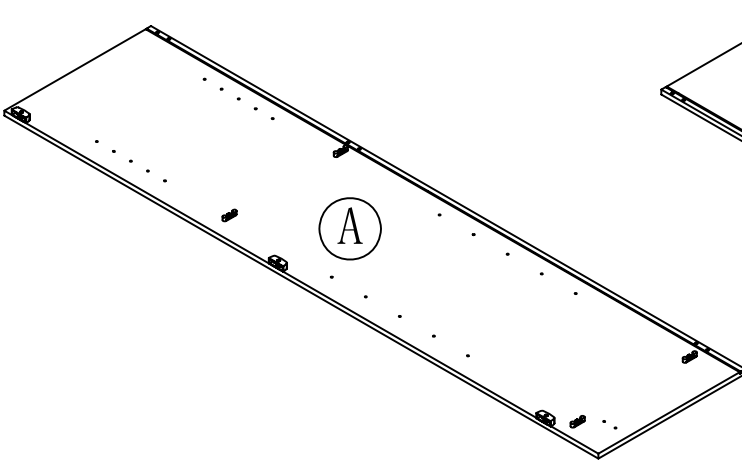
ADVANCED
GLOBAL COMMERCE



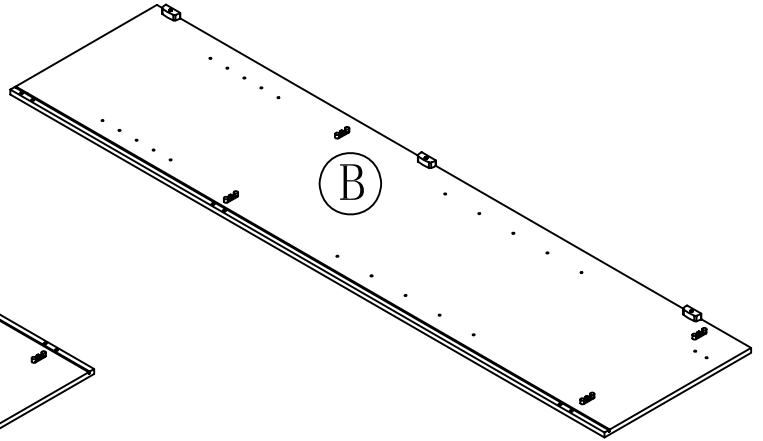
541185 • 530444

ASSEMBLY INSTRUCTIONS

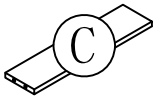
PARTS LIST:



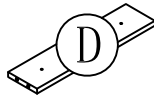
LEFT SIDE PANEL 1PC



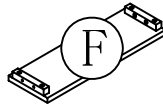
RIGHT SIDE PANEL 1PC



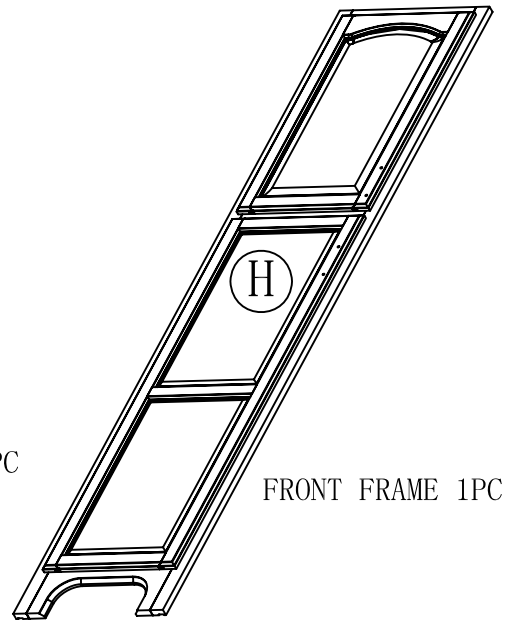
BACK UP CROSS
BRACE 1PC



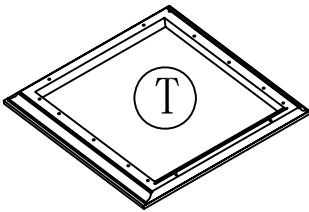
BACK DOWN CROSS
BRACE 2PCS



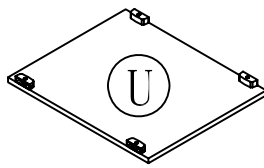
TOE KICK PANEL 1PC



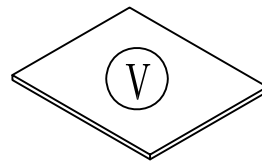
FRONT FRAME 1PC



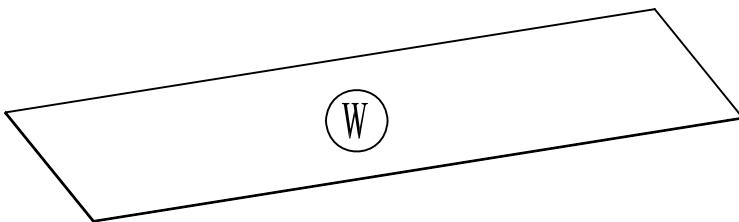
TOP PANEL 1PC



FIXED PANEL 2PCS



ADJUSTABLE PANEL 2PCS



BACK PANEL 1PC

HARDWARE LIST:



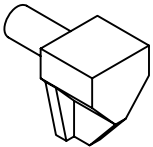
a. WOOD DOWEL 16PCS



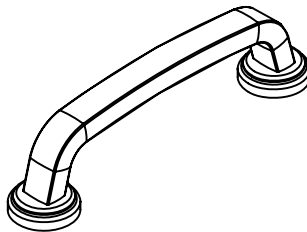
d. 1" L FLAT HEAD
SCREW 4PCS



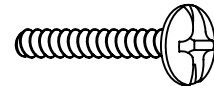
e. 1-1/2" L FLAT HEAD
SCREW 14PCS



k. PIN 8PCS



m. HANDLE 2PCS

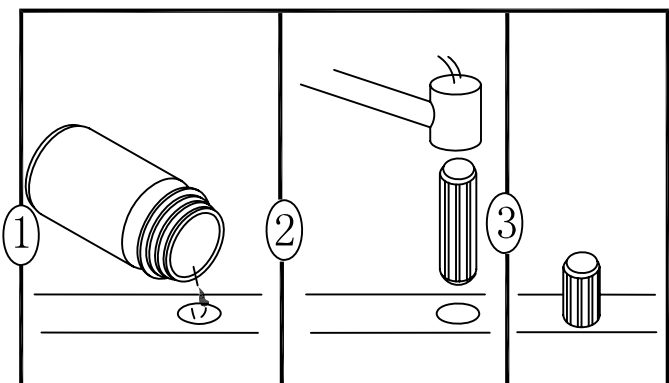
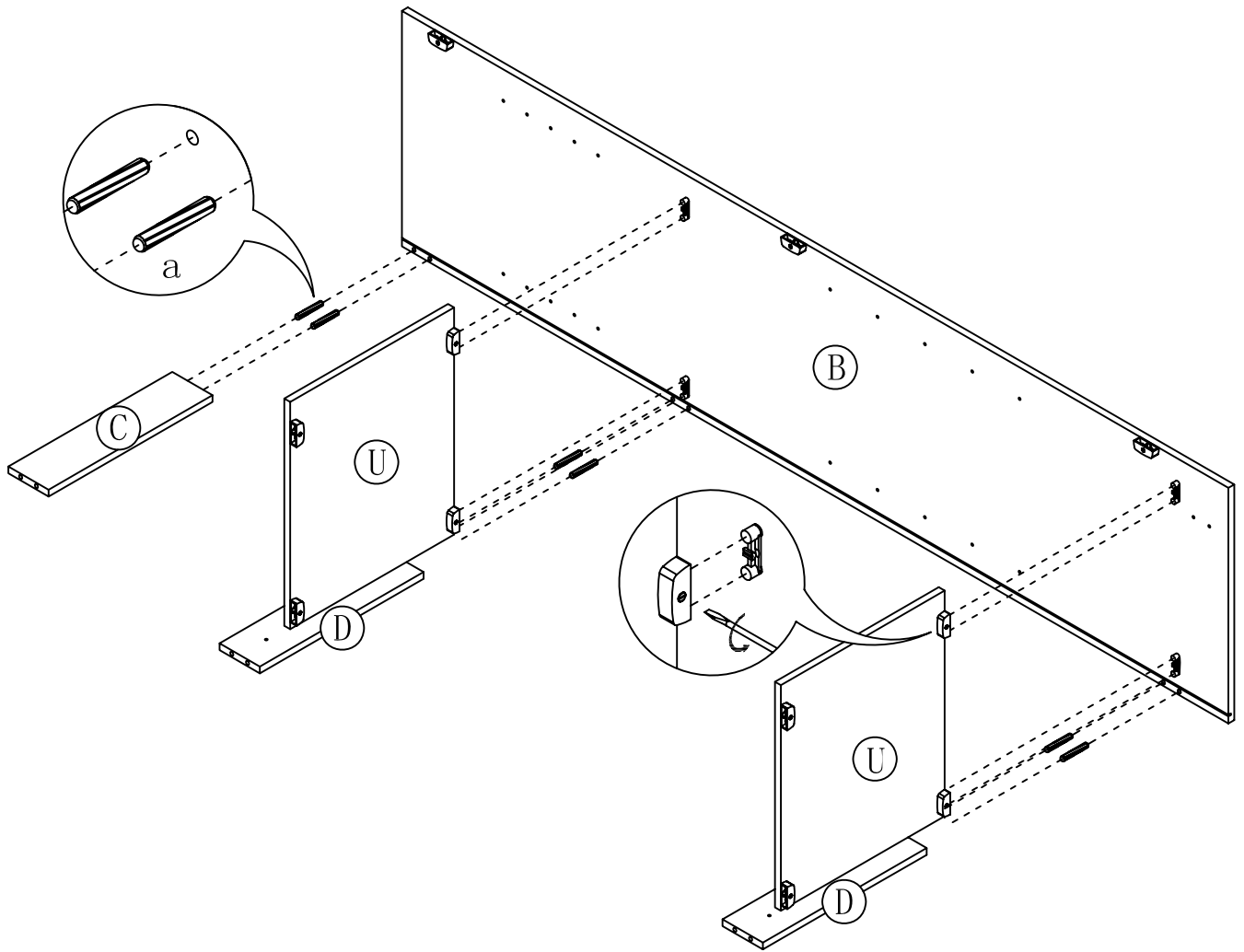


n. HANDLE BOLT 4PCS

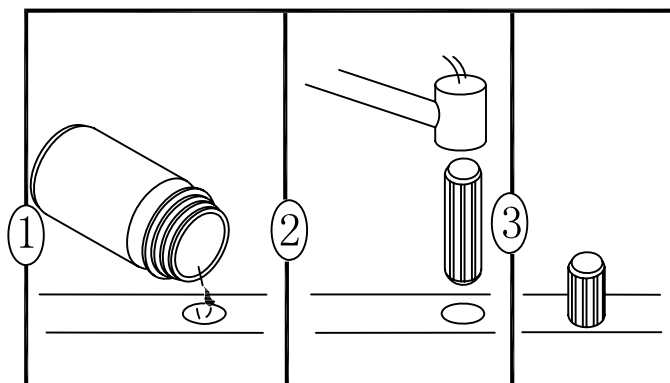
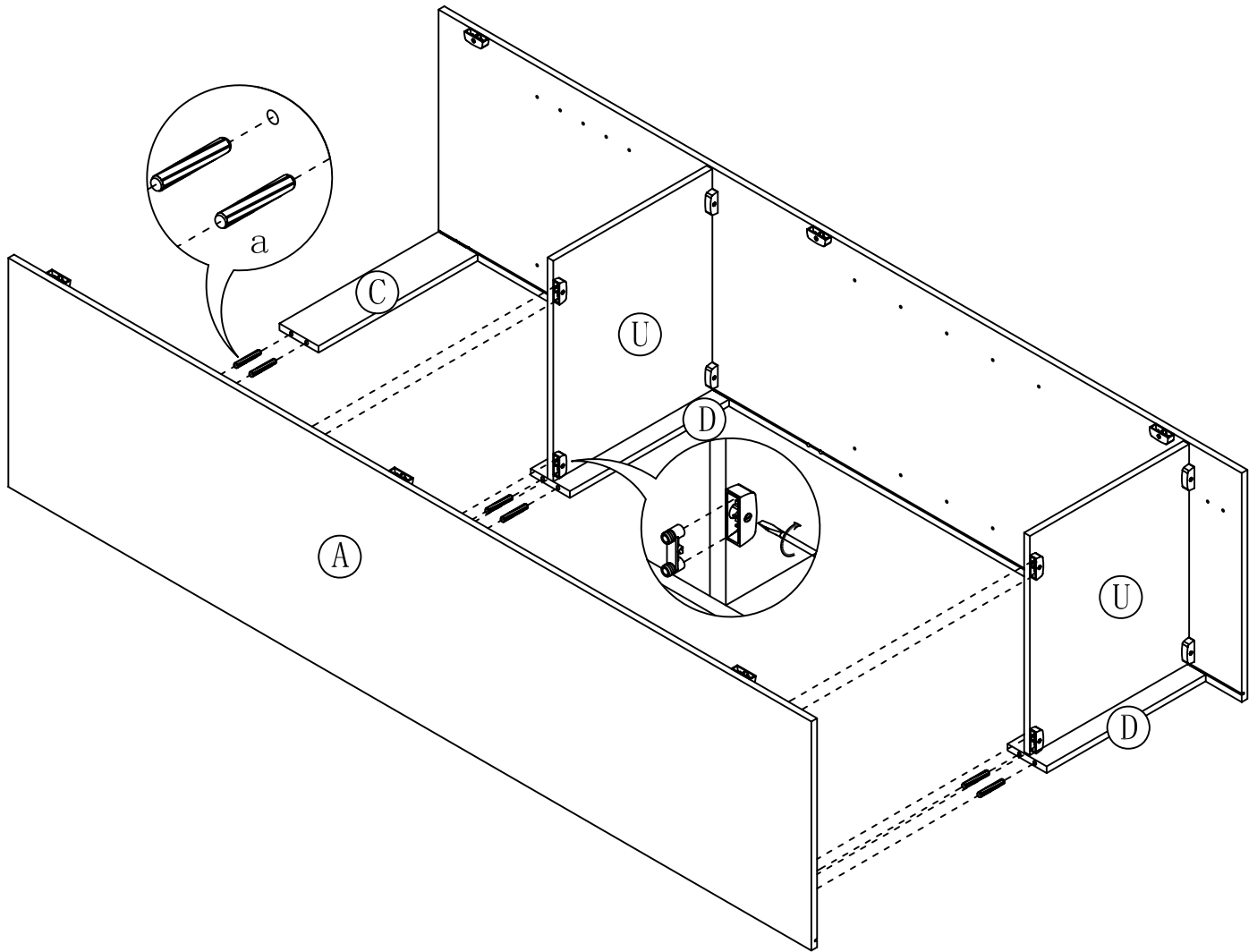


p. GLUE 1PC

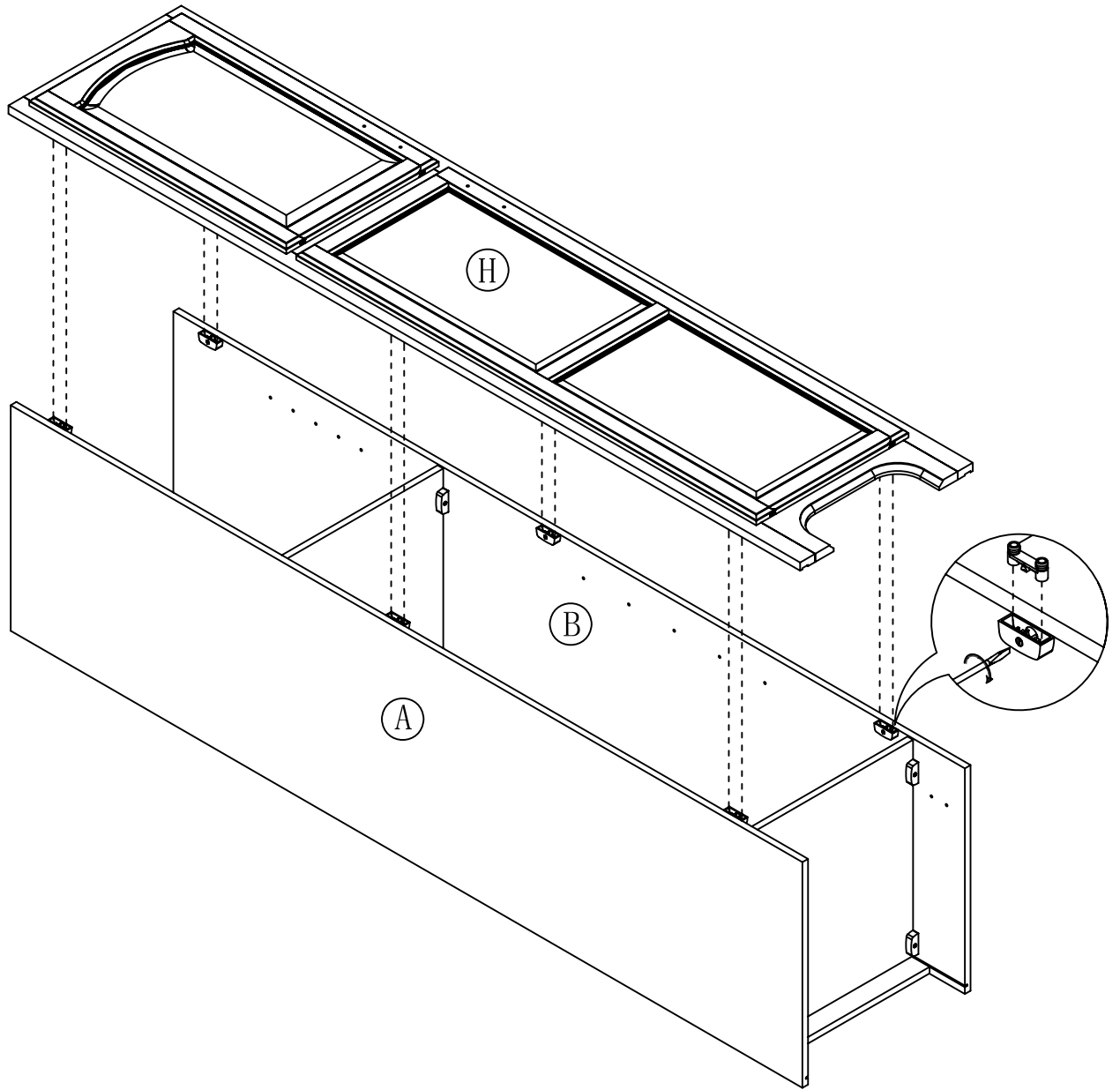
STEP 1



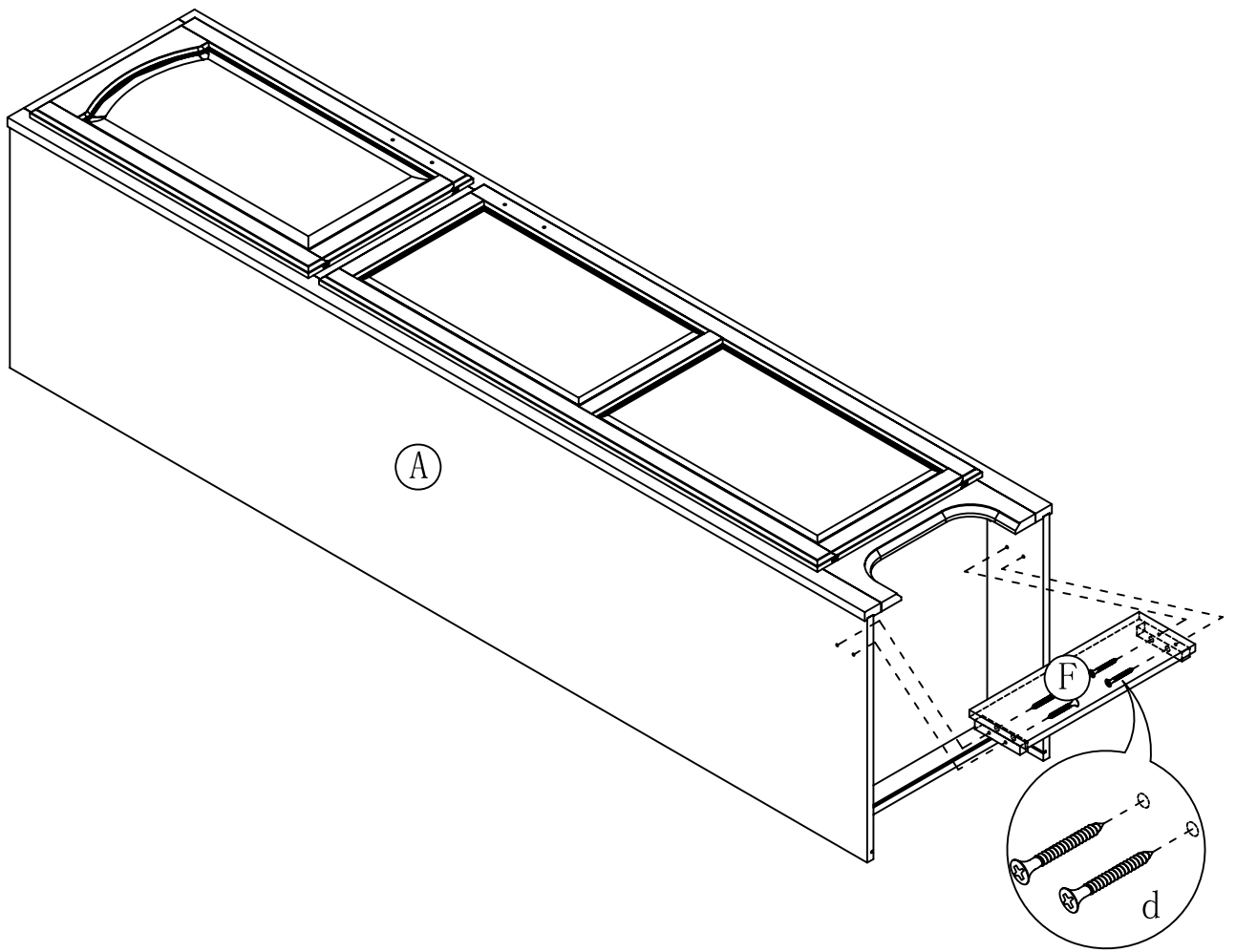
STEP 2



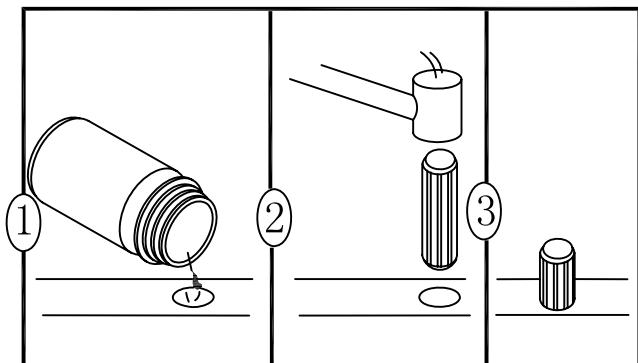
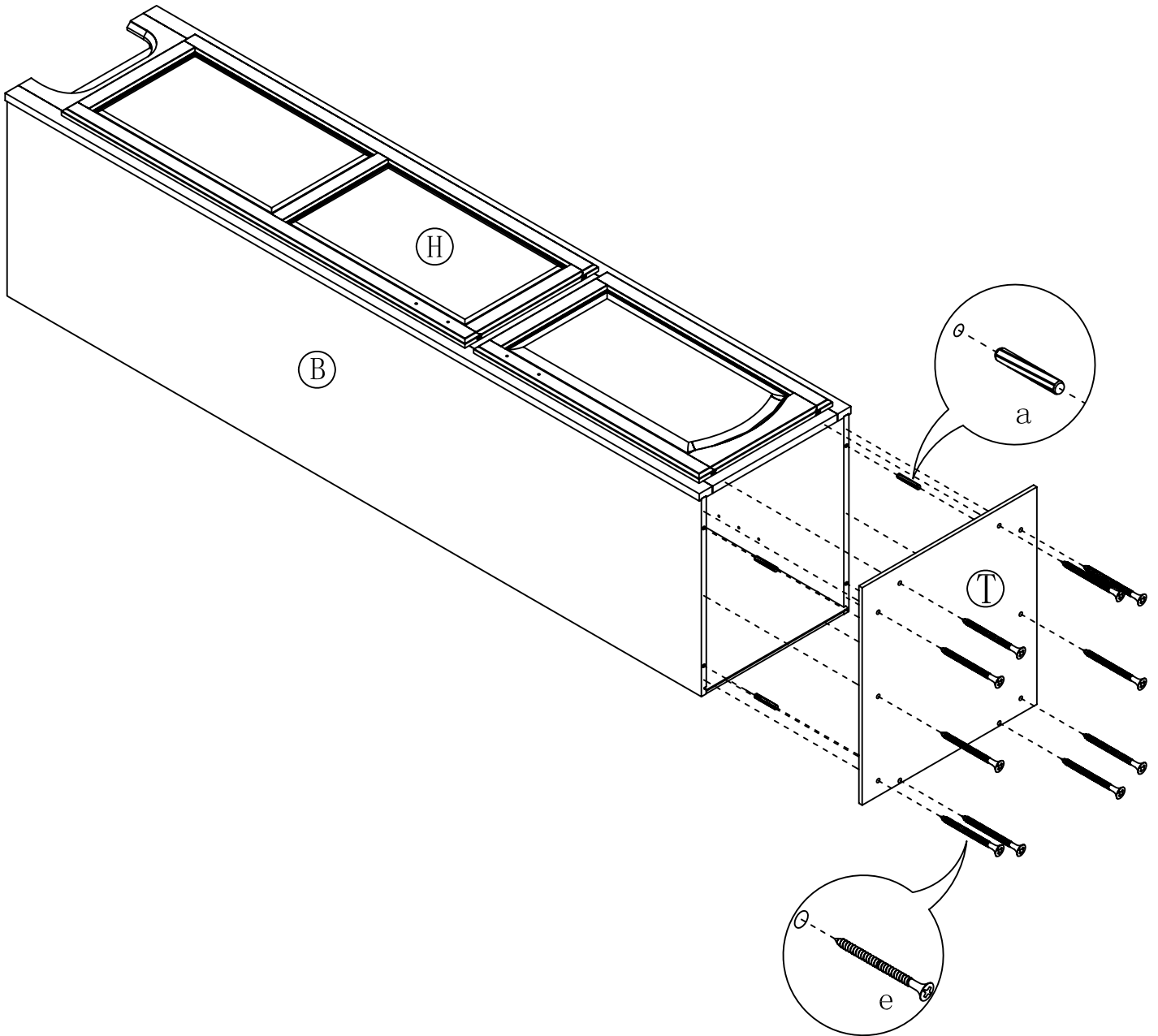
STEP 3



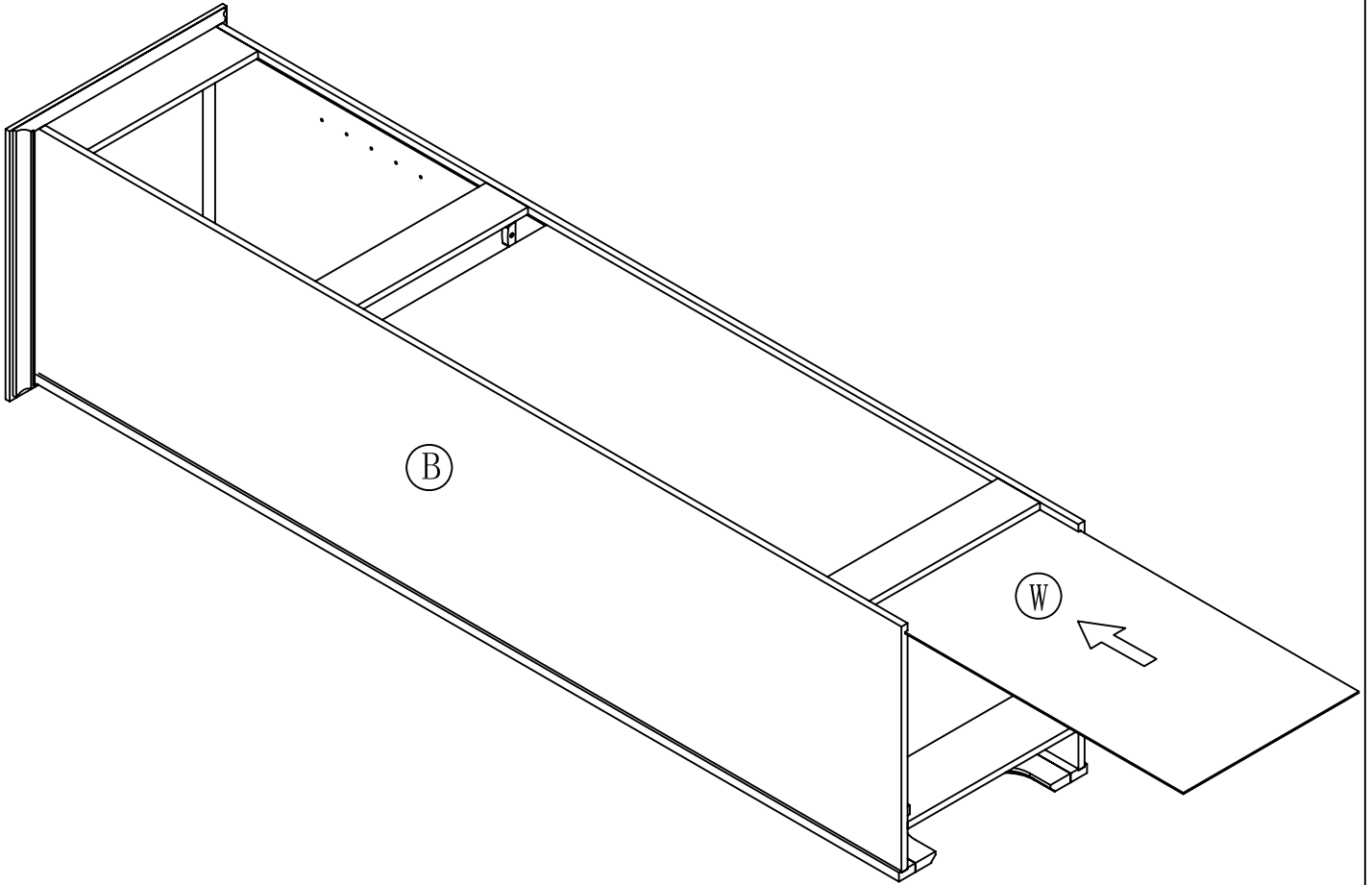
STEP 4



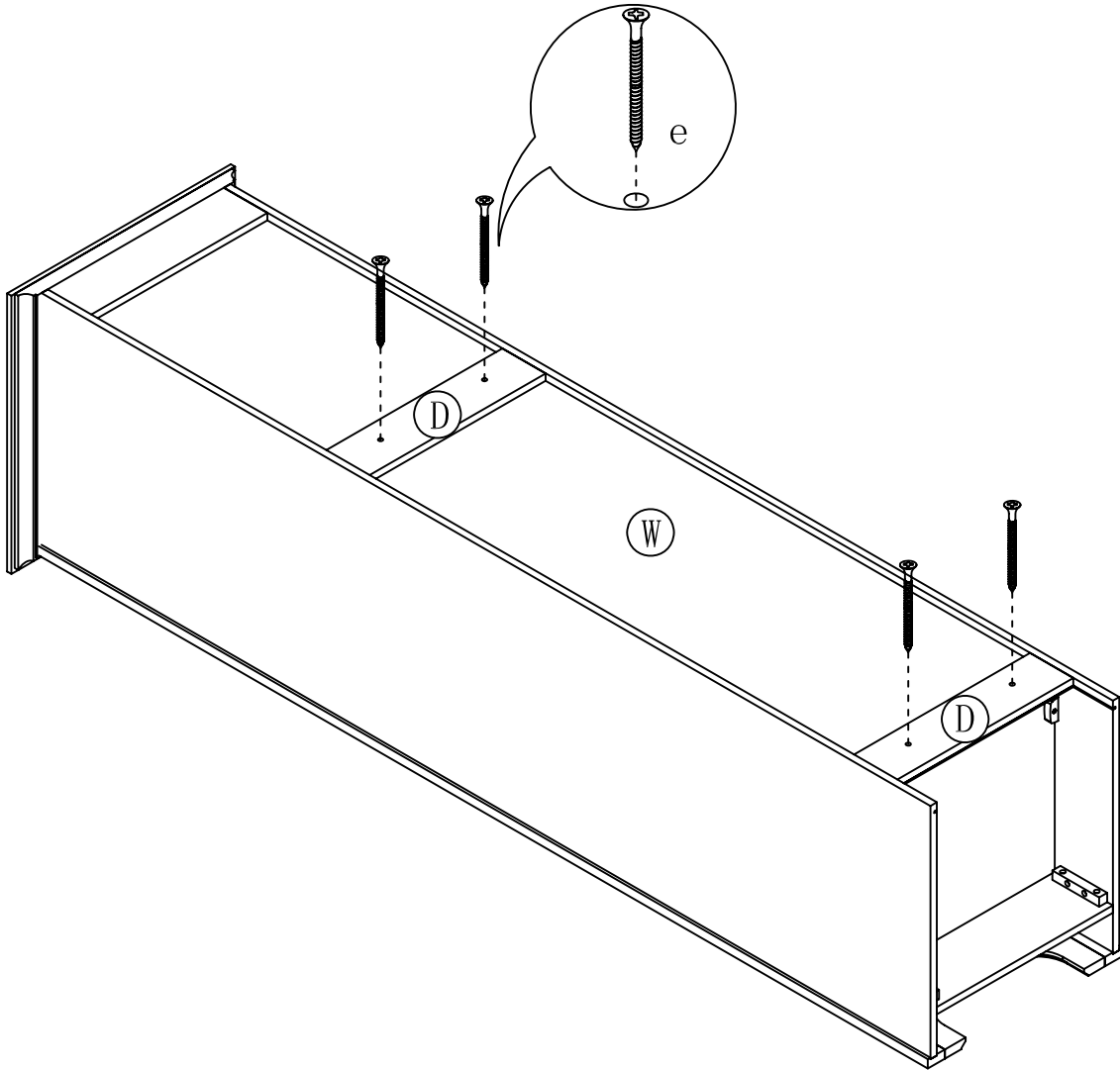
STEP 5



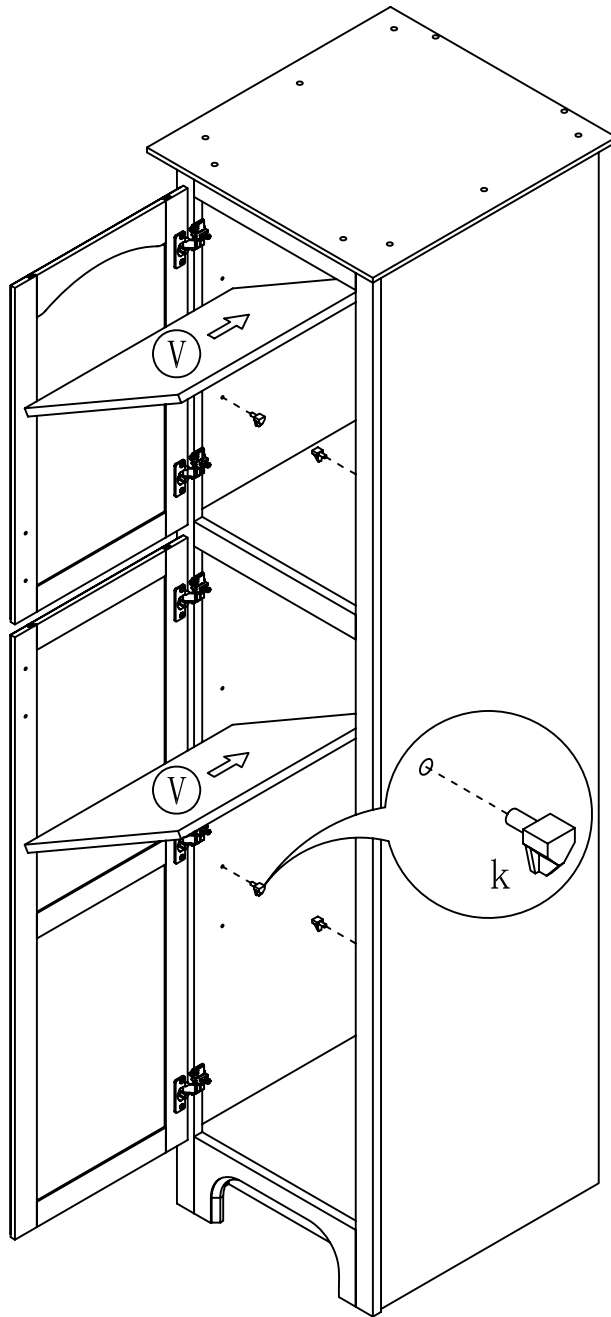
STEP 6



STEP 7



STEP 8



STEP 9

