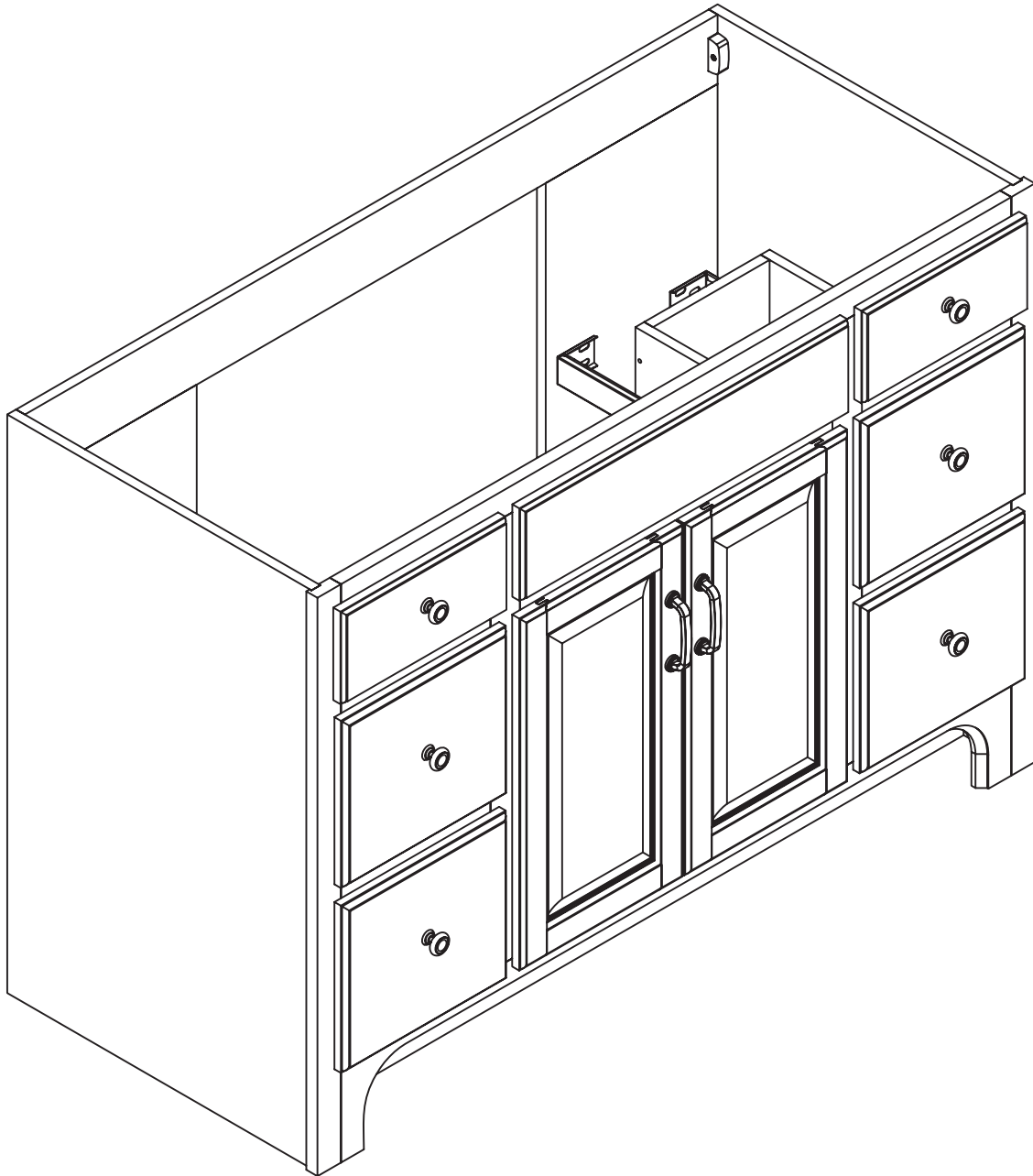




**ADVANCED**  
GLOBAL COMMERCE

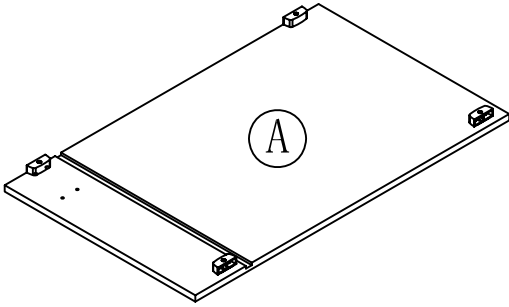
---



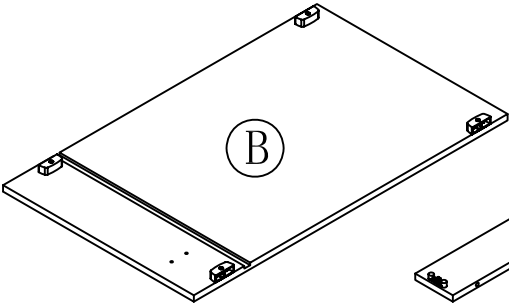
530410 • 530436

# ASSEMBLY INSTRUCTIONS

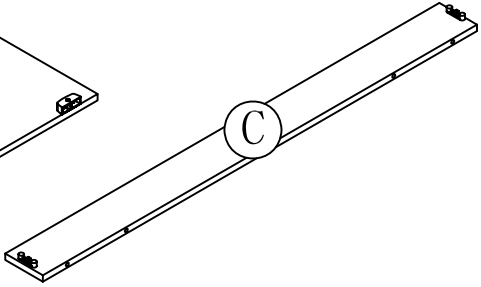
# PARTS LIST:



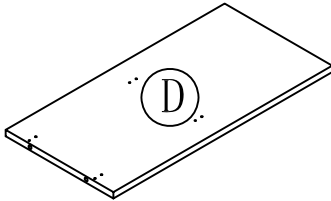
LEFT SIDE PANEL 1PC



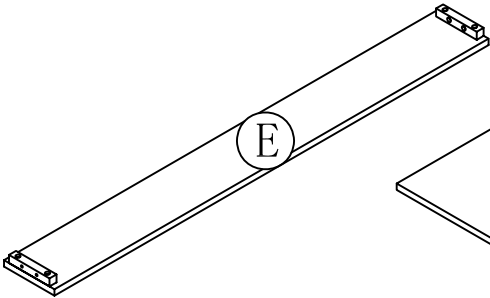
RIGHT SIDE PANEL 1PC



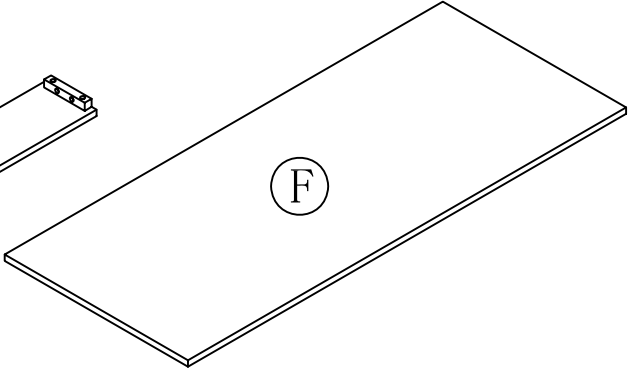
BACK CROSS BRACE 2PCS



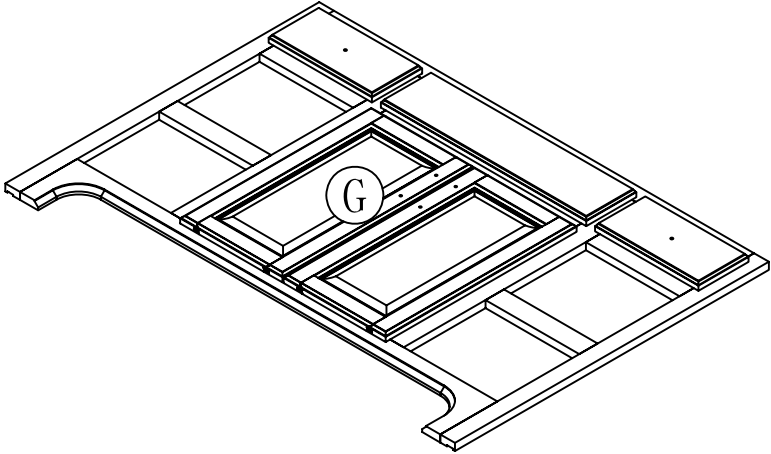
BACK PARTITION  
PANEL 2PCS



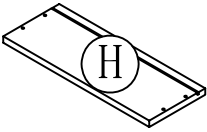
TOE KICK PANEL 1PC



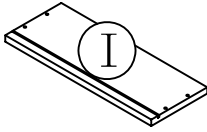
BOTTOM PANEL 1PC



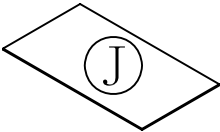
FRONT FRAME 1PC



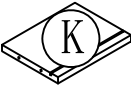
DRAWER LEFT SIDE  
PANEL 4PCS



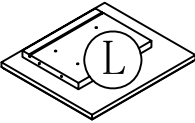
DRAWER RIGHT SIDE  
PANEL 4PCS



DRAWER BOTTOM  
PANEL 4PCS



DRAWER BACK  
PANEL 4PCS



DRAWER FRONT  
PANEL 4PCS

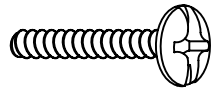
# HARDWARE LIST:



a. WOOD DOWEL 8PCS



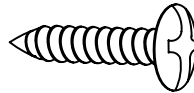
b. 1" L FLAT HEAD  
SCREW 4PCS



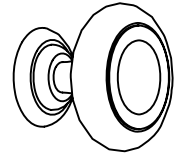
d. HANDLE (KNOB)  
BOLT 10PCS



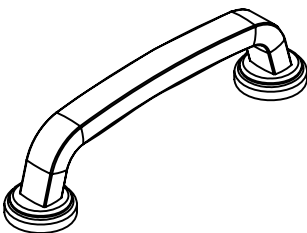
e. 1-1/2" L FLAT HEAD  
SCREW 32PCS



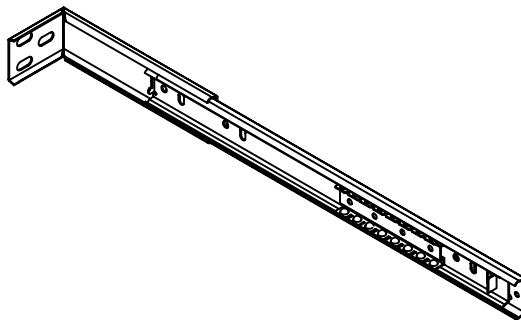
f. 1/2" ROUND HEAD  
SCREW 32PCS



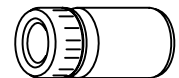
g. KNOB 6PCS



h. HANDLE 2PCS

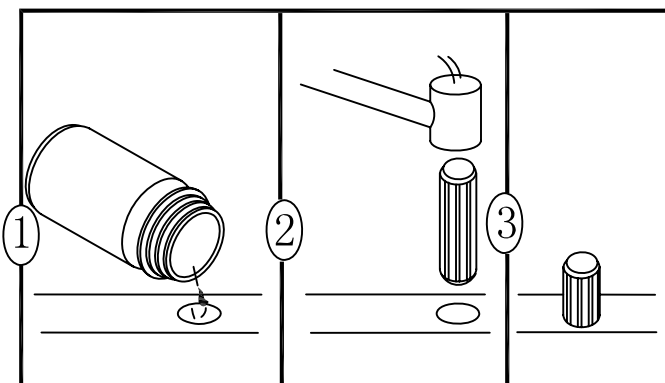
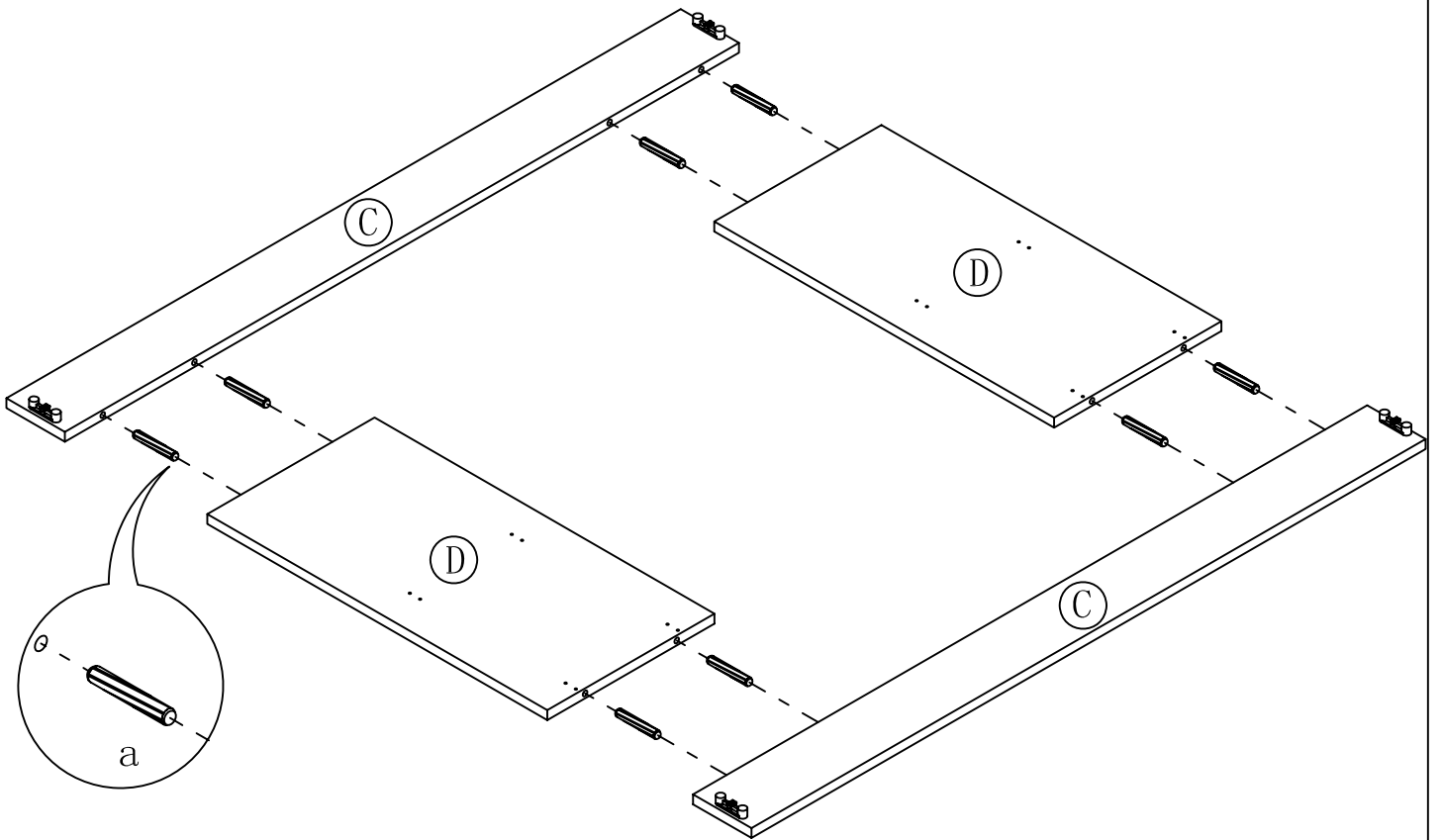


i. DRAWER GUIDE 8PCS

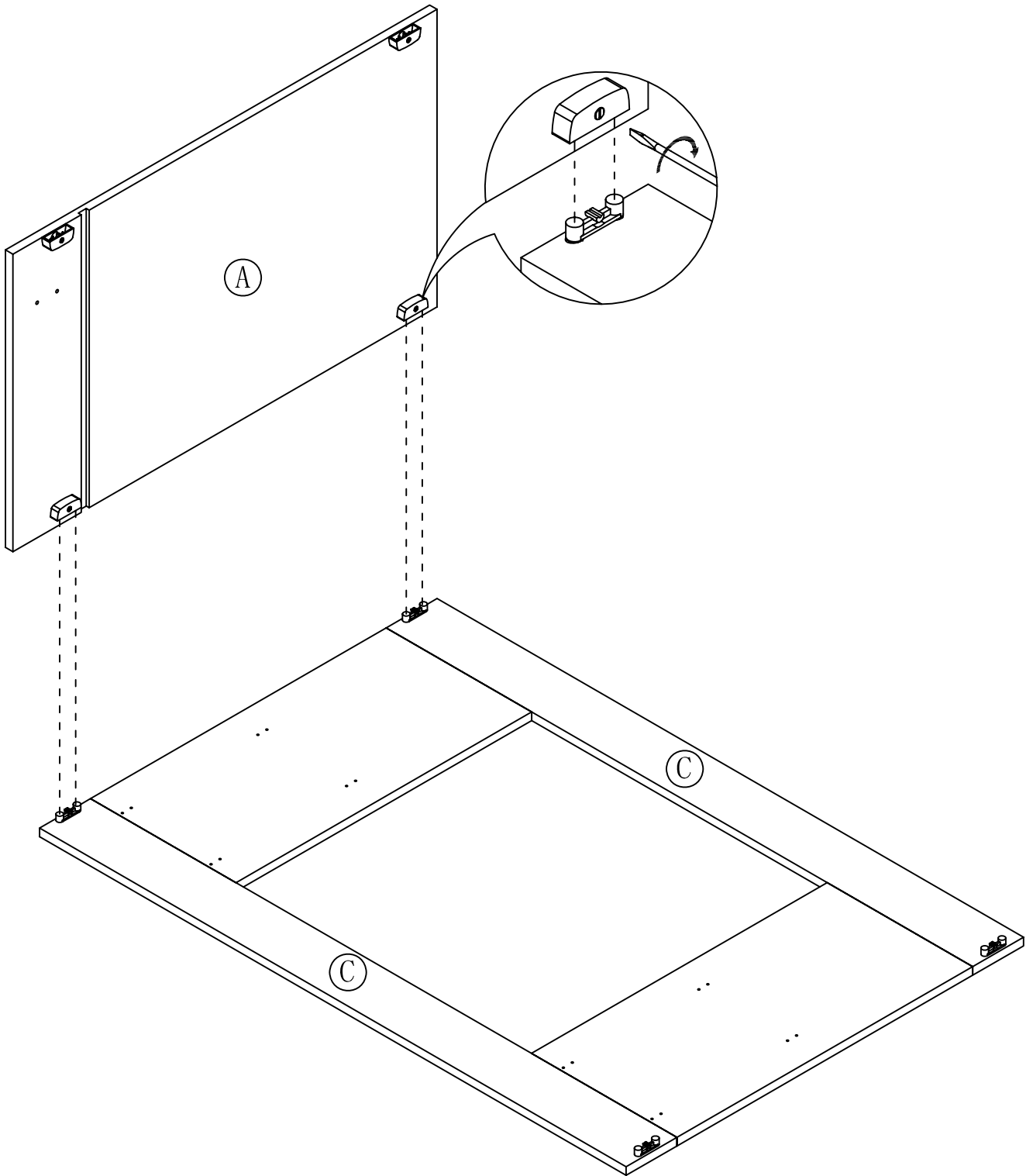


j. GLUE 1PC

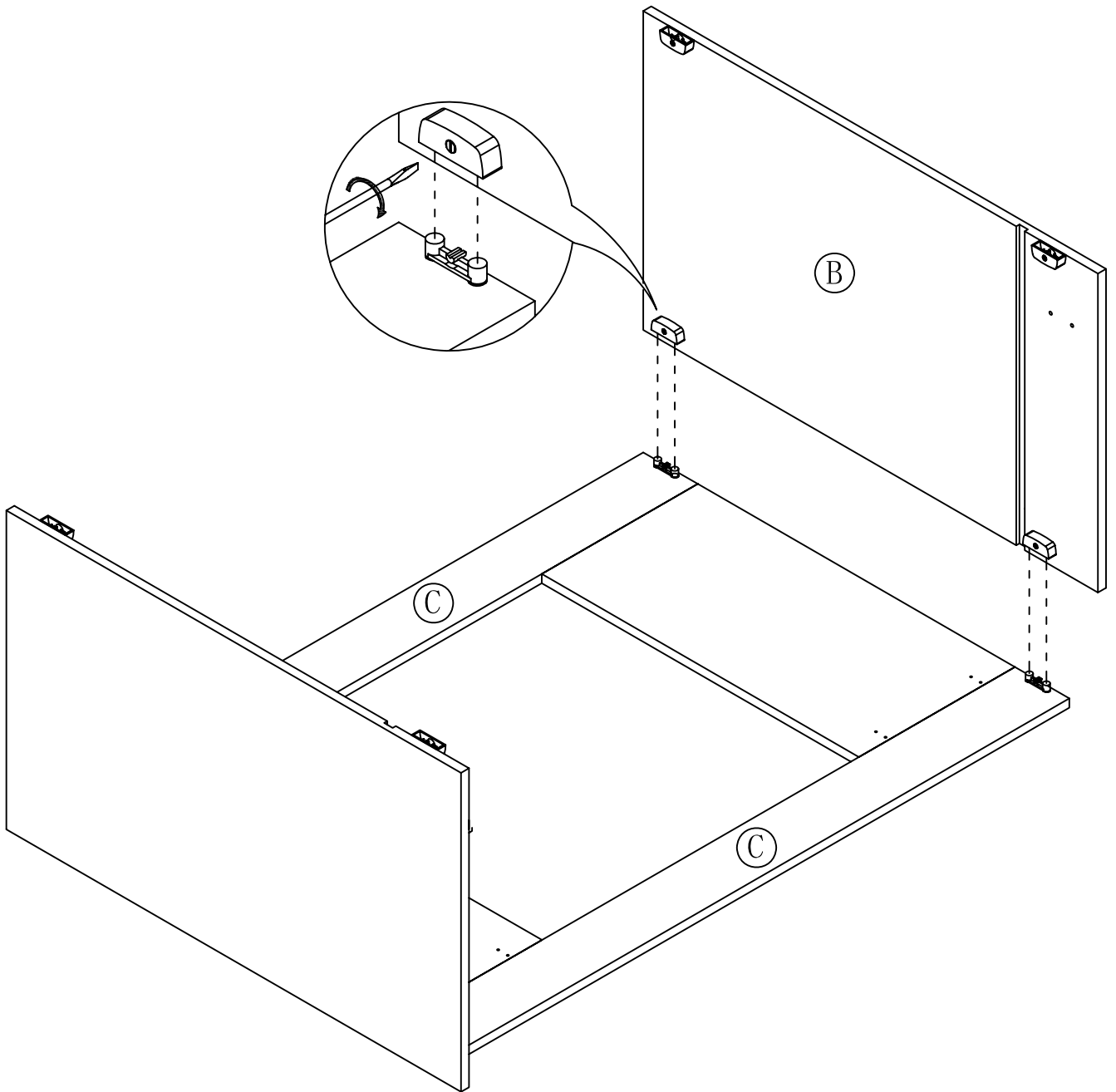
# STEP 1



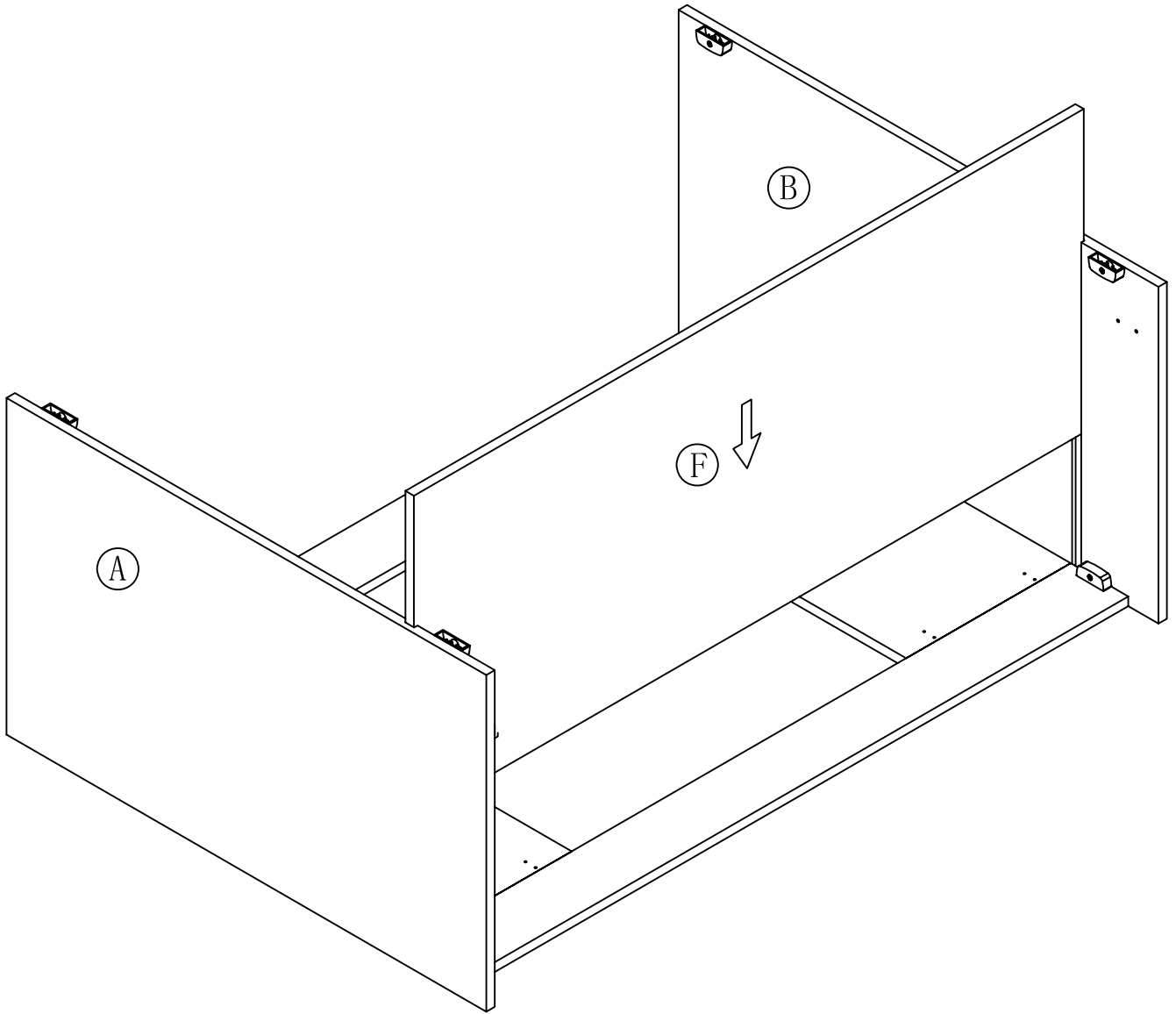
# STEP 2



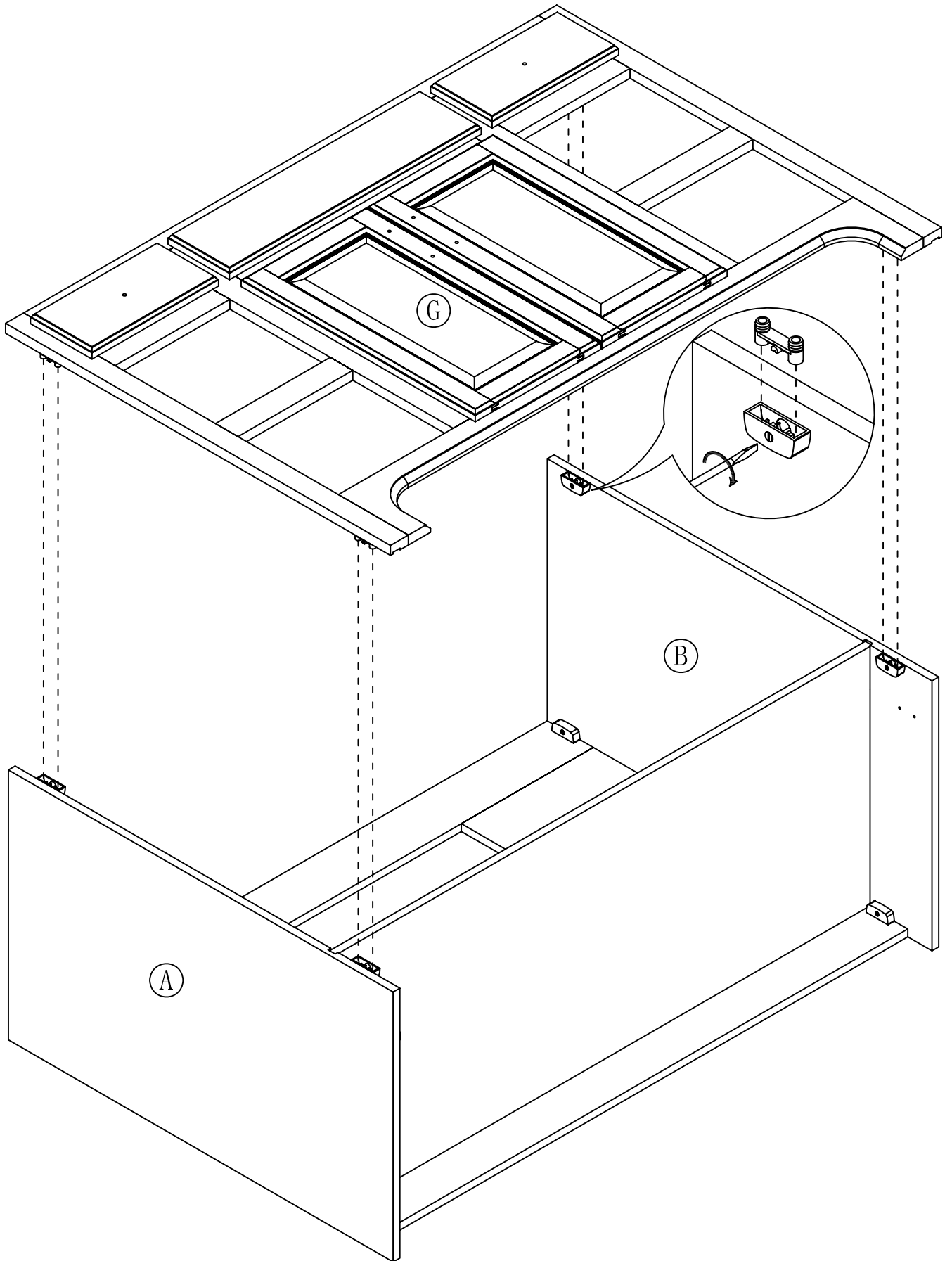
# STEP 3



# STEP 4

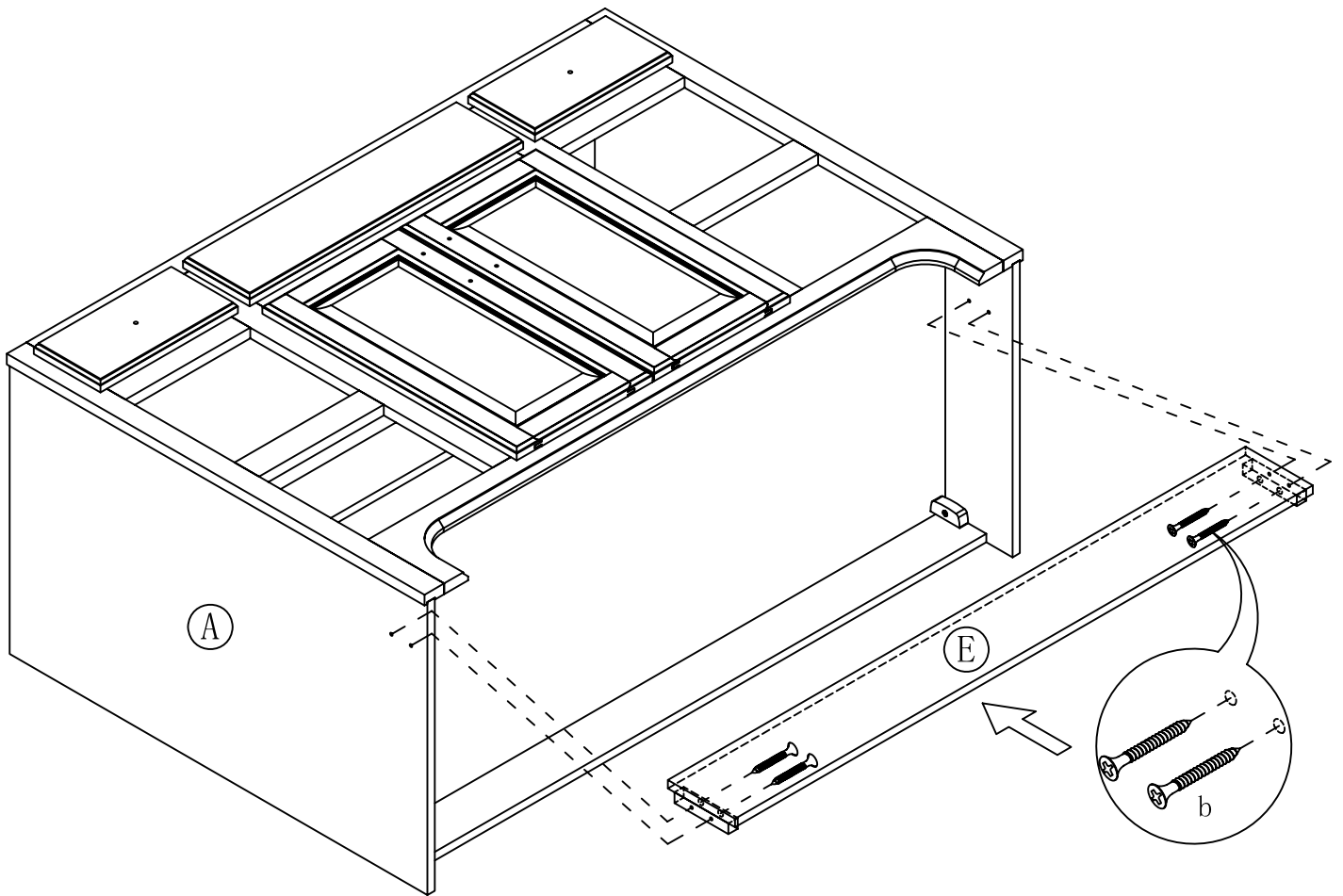


# STEP 5

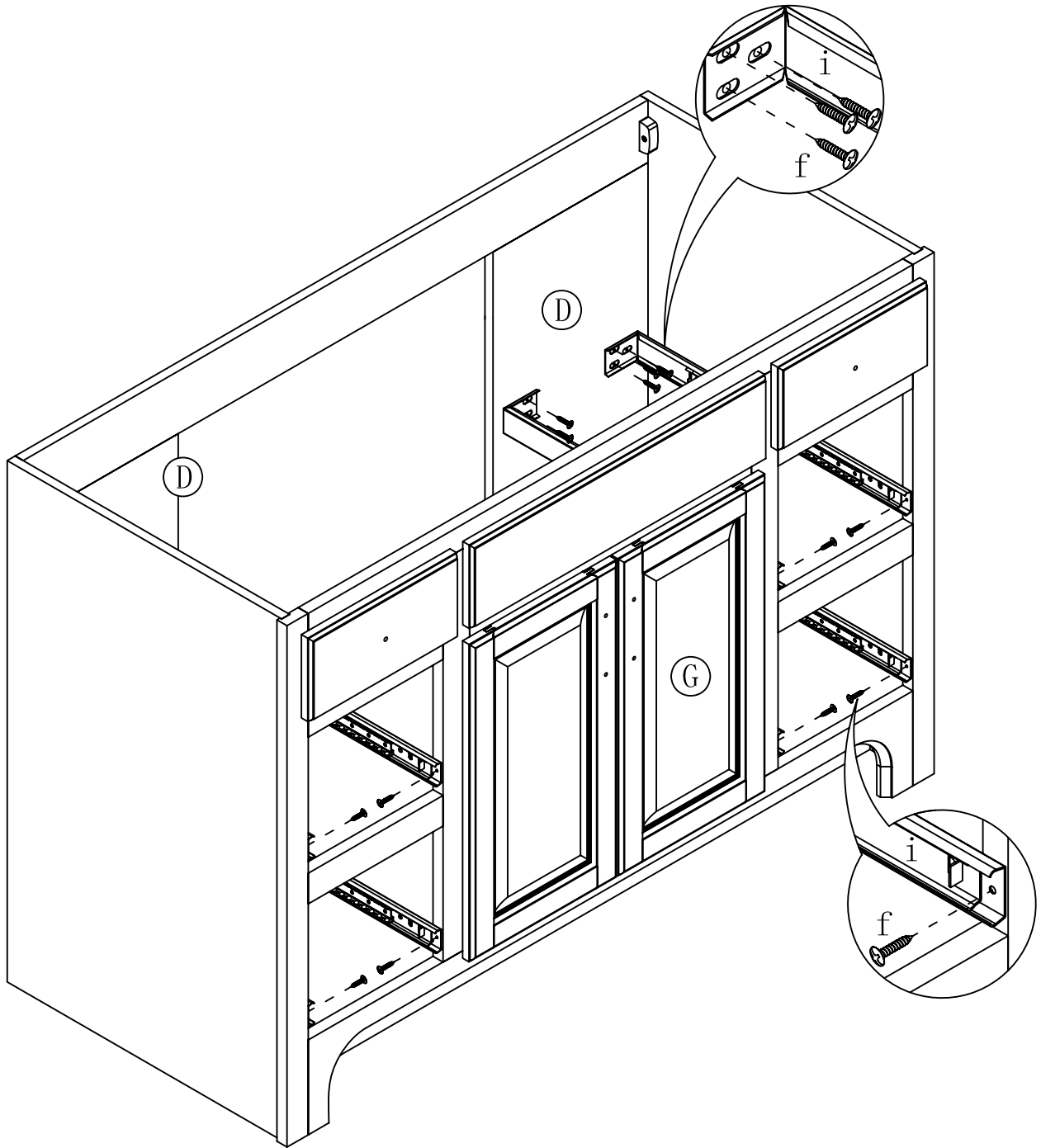




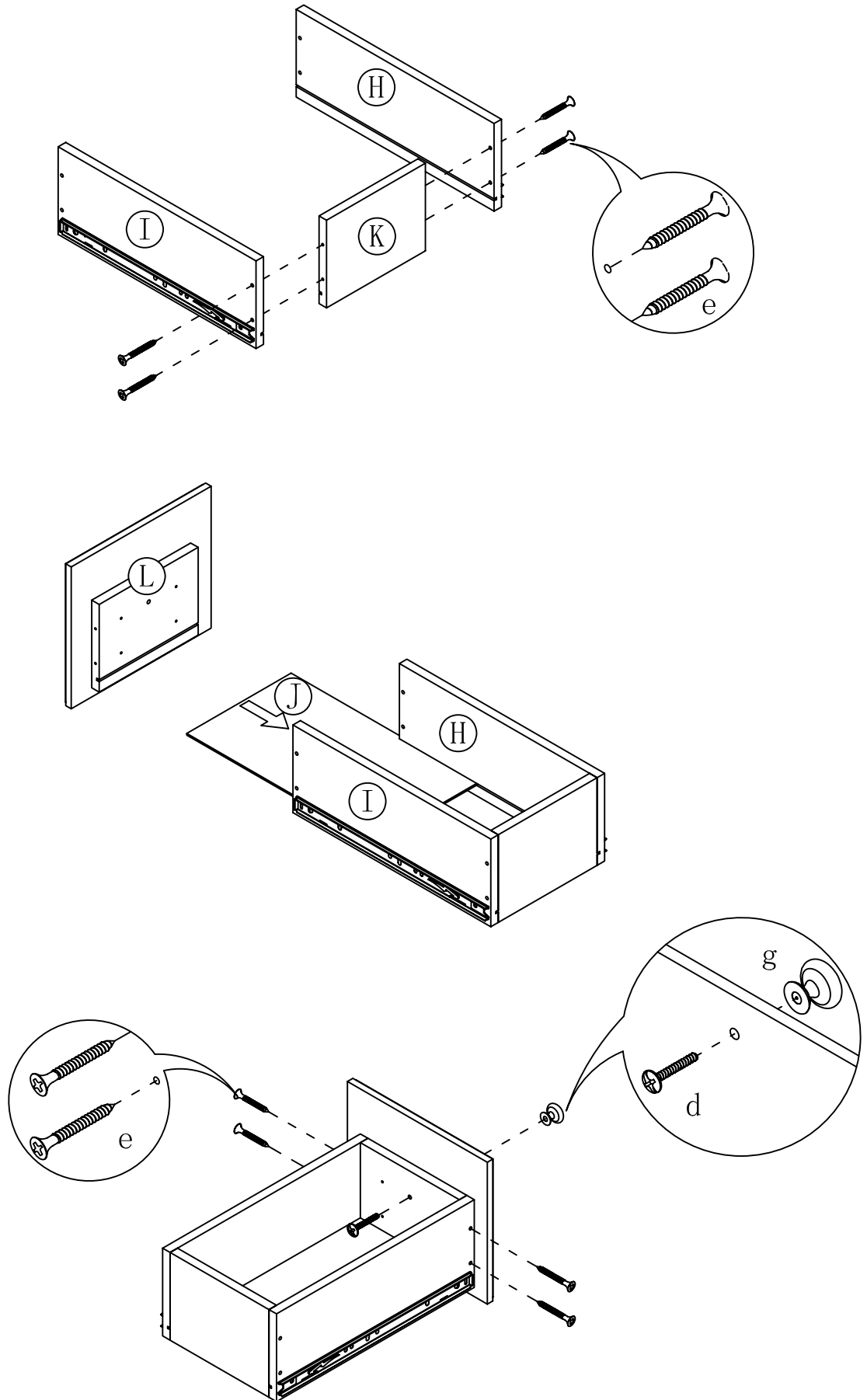
# STEP 6



# STEP 7



# STEP 8



# STEP 9

