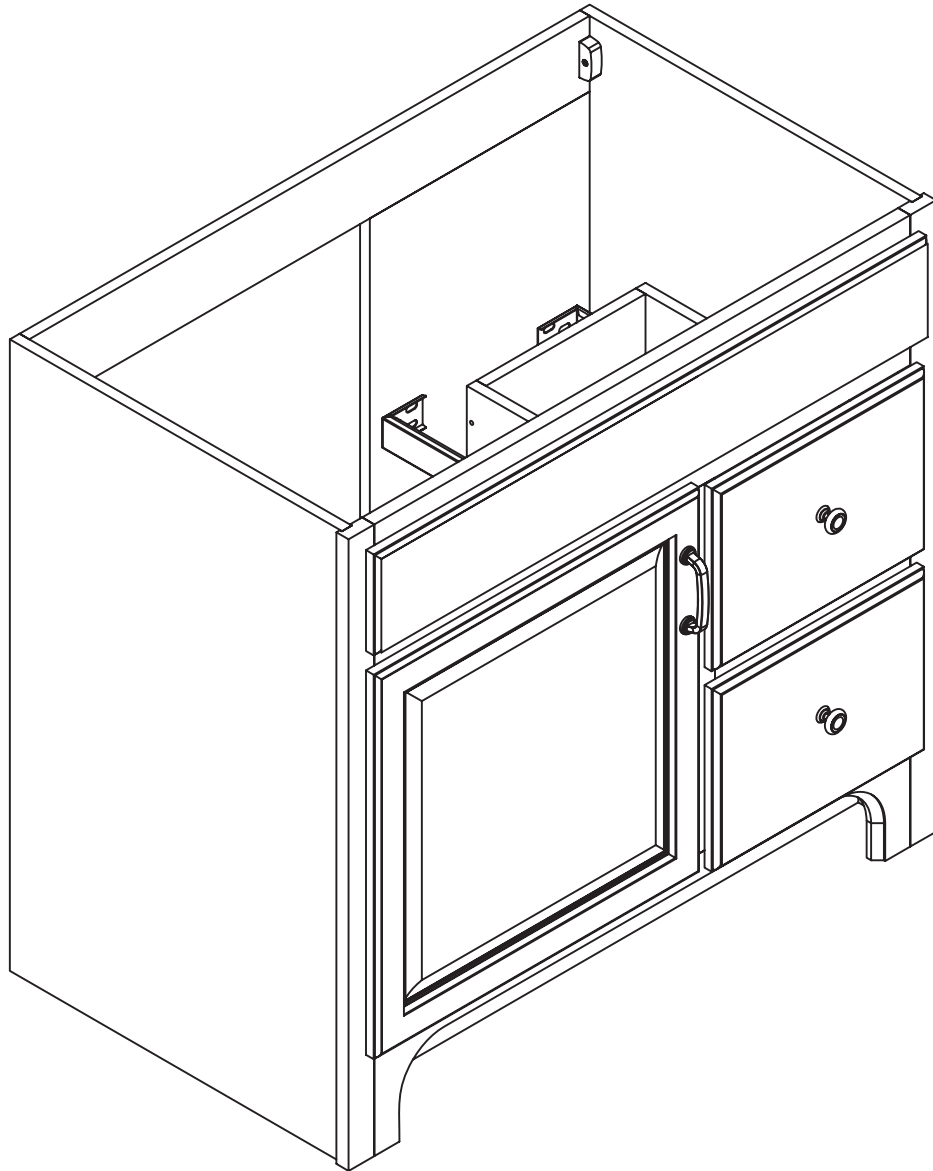




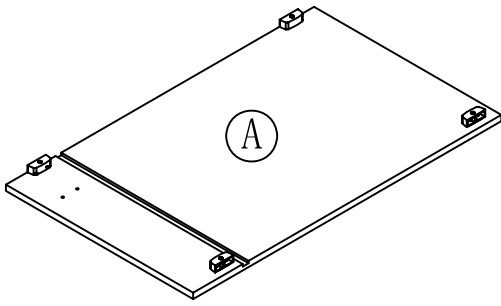
**ADVANCED**  
GLOBAL COMMERCE

---

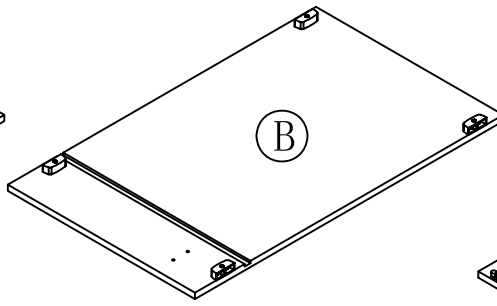


530402 • 541151 • 541128 • 541136  
**ASSEMBLY INSTRUCTIONS**

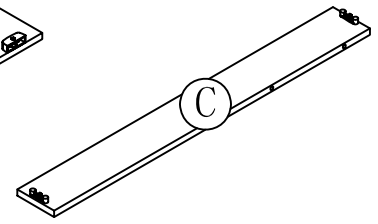
# PARTS LIST:



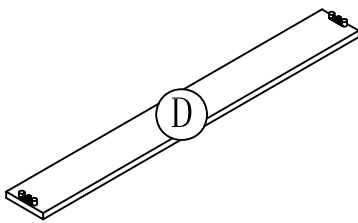
LEFT SIDE PANEL 1PC



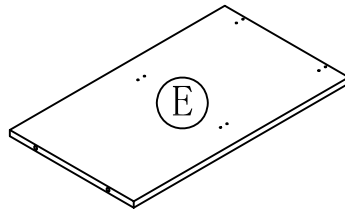
RIGHT SIDE PANEL 1PC



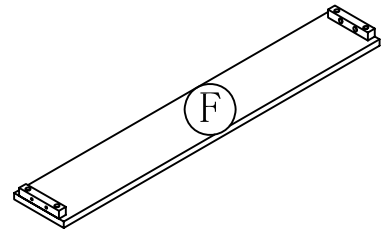
BACK UP CROSS BRACE 1PC



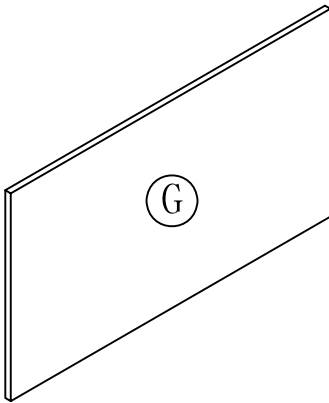
BACK DOWN CROSS BRACE 1PC



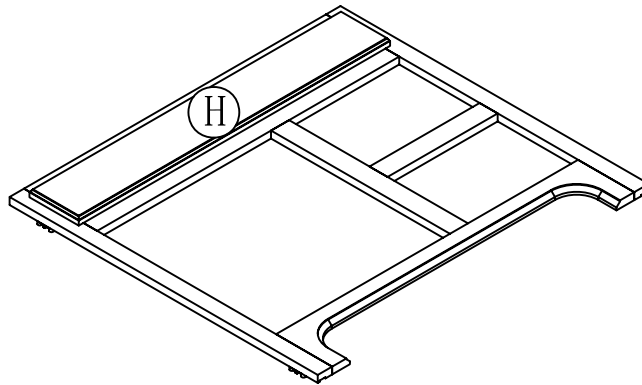
BACK PARTITION PANEL 1PC



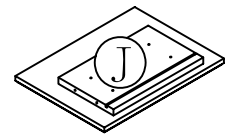
TOE KICK PANEL 1PC



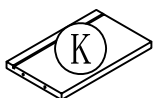
BOTTOM PANEL 1PC



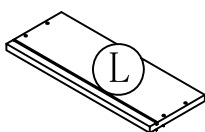
FRONT FRAME 1PC



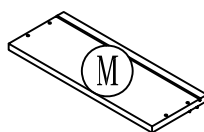
DRAWER FRONT PANEL 2PCS



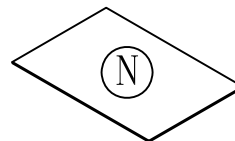
DRAWER BACK PANEL 2PCS



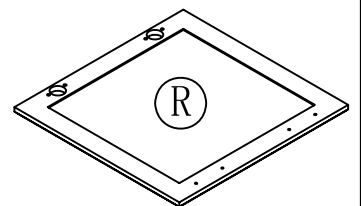
DRAWER LEFT SIDE PANEL 2PCS



DRAWER RIGHT SIDE PANEL 2PCS



DRAWER BOTTOM PANEL 2PCS



DOOR 1PC

# HARDWARE LIST:



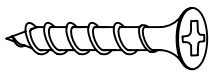
a. WOOD DOWEL 4PCS



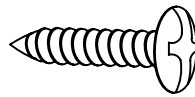
d. 1" L FLAT HEAD SCREW 4PCS



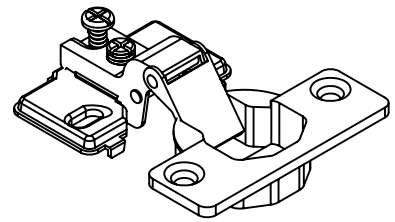
e. 1-1/2" L FLAT HEAD SCREW 16PCS



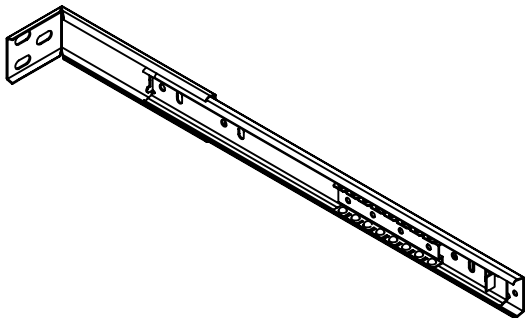
f. 5/8" L FLAT HEAD SCREW 8PCS



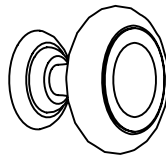
g. 1/2" ROUND HEAD SCREW 16PCS



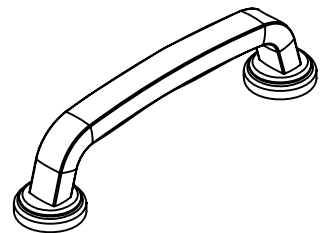
h. HINGE 2PCS



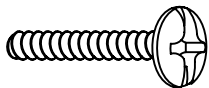
i. DRAWER GUIDE 4PCS



l. KNOB 2PCS



m. HANDLE 1PC

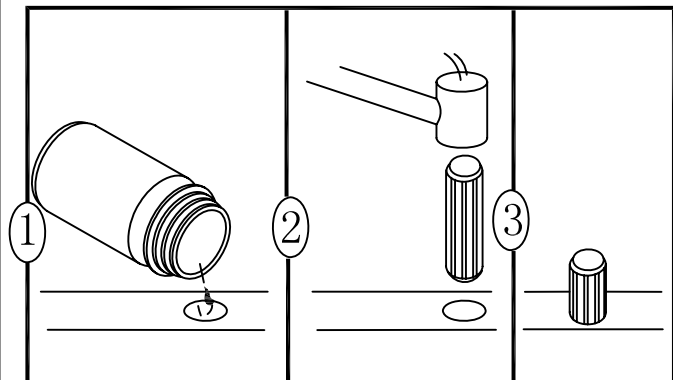
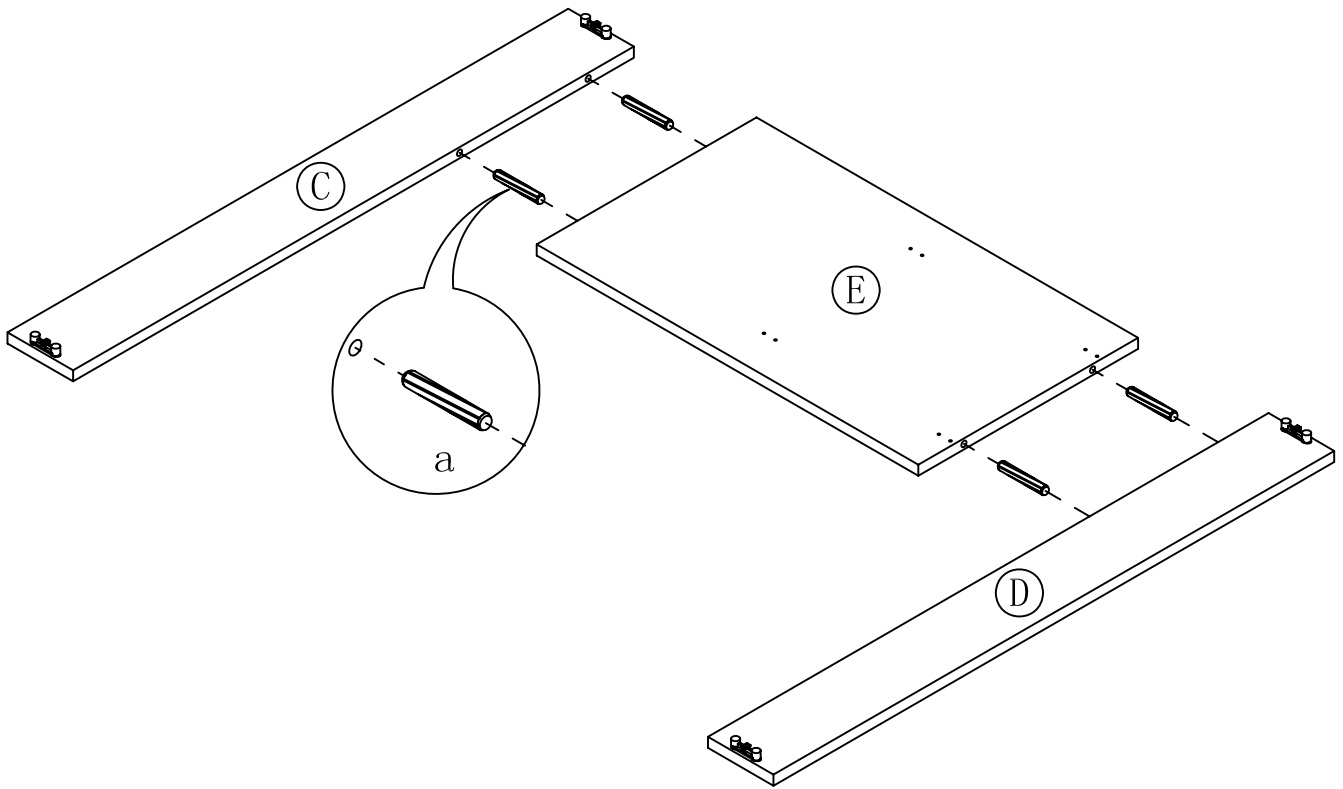


n. HANDLE (KNOB) BOLT 4PCS

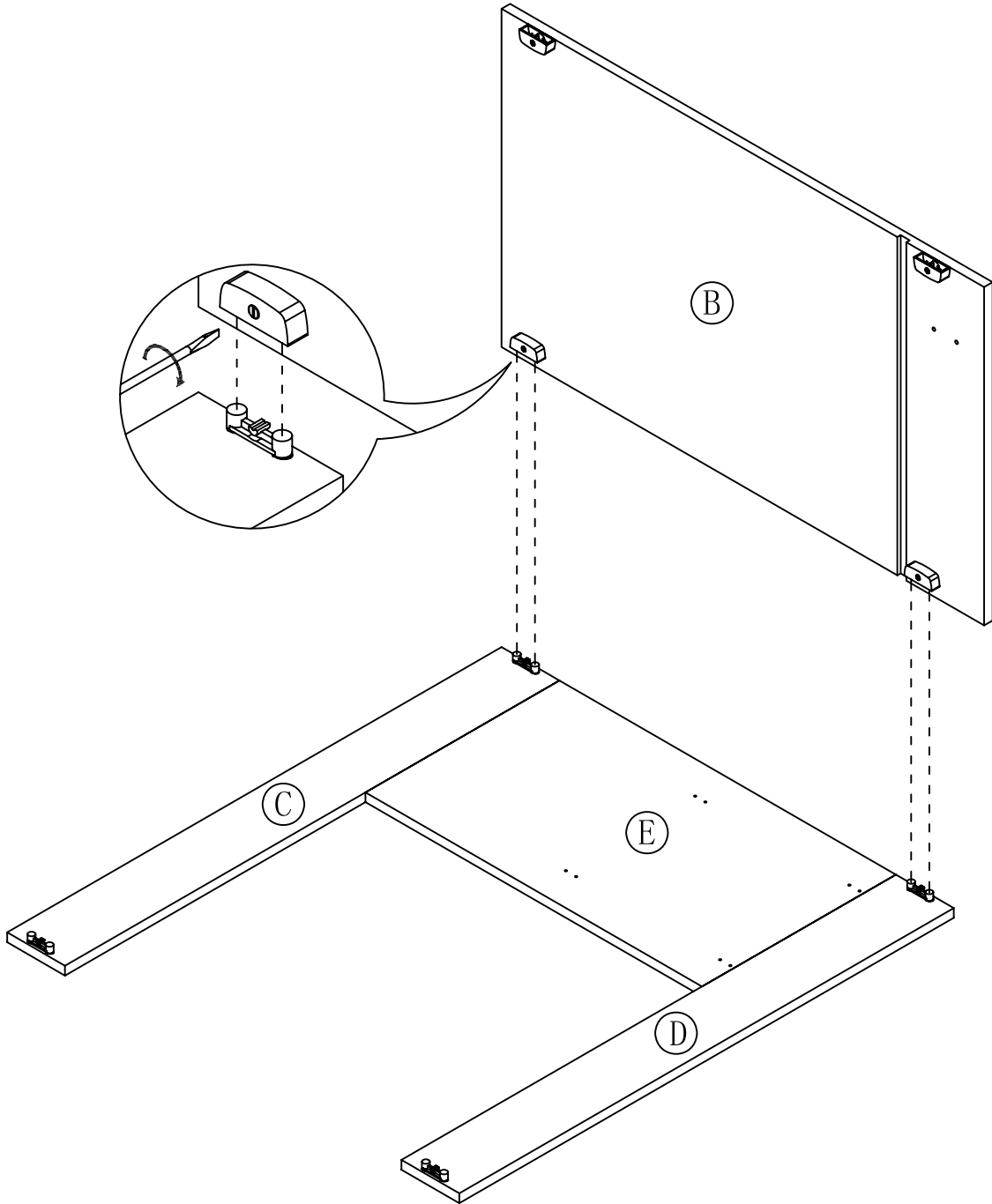


p. GLUE 1PC

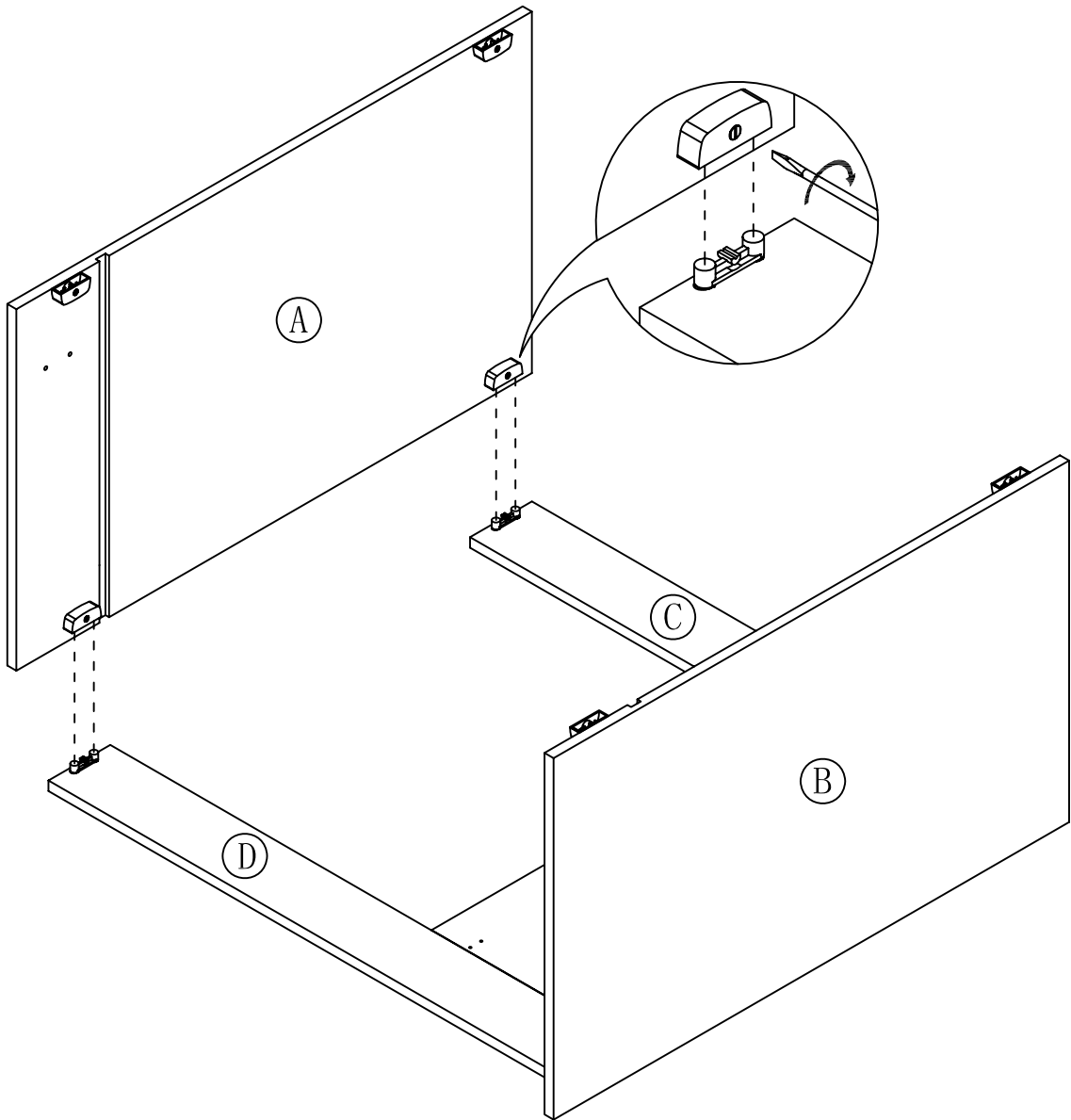
# STEP 1



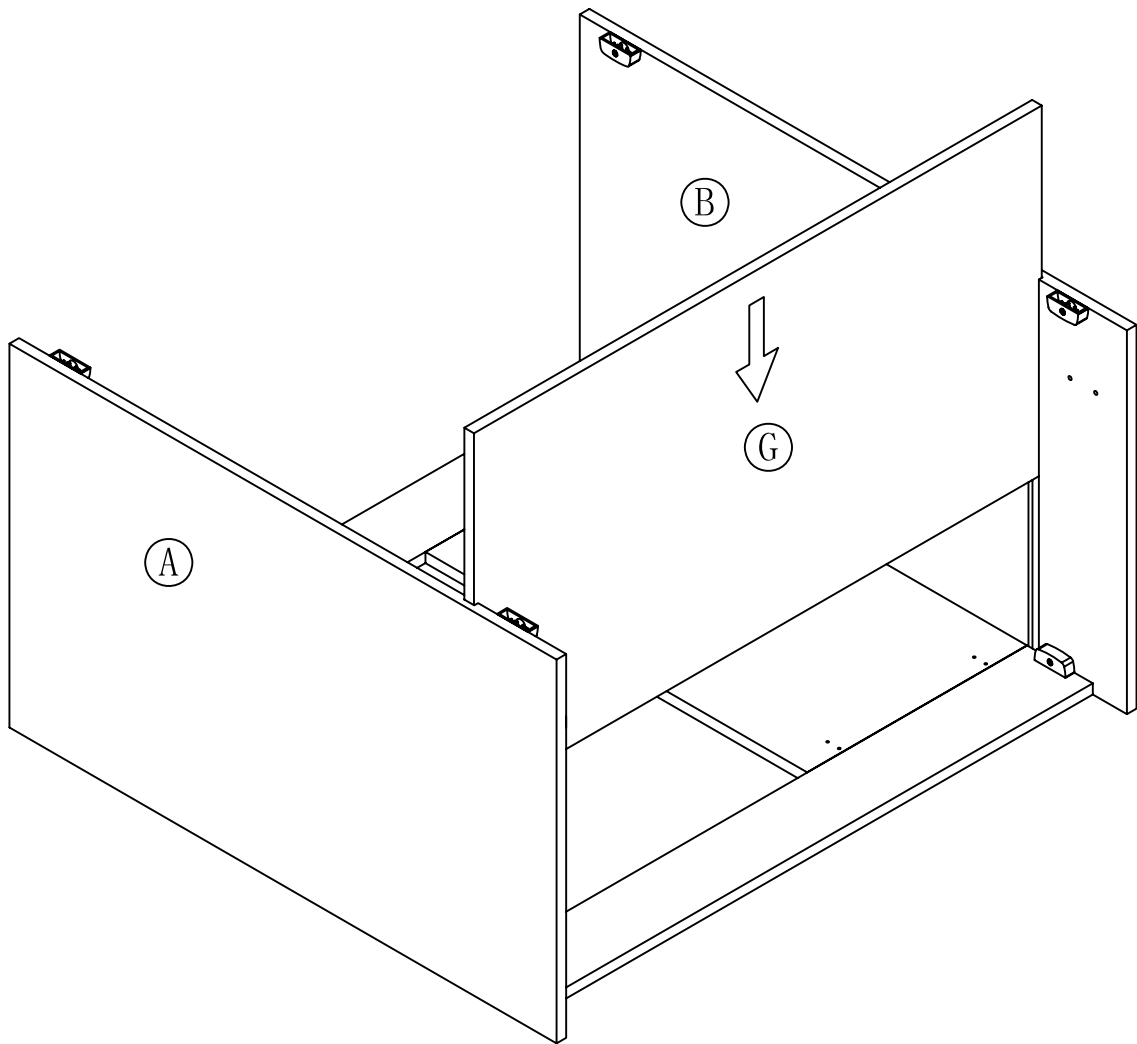
# STEP 2



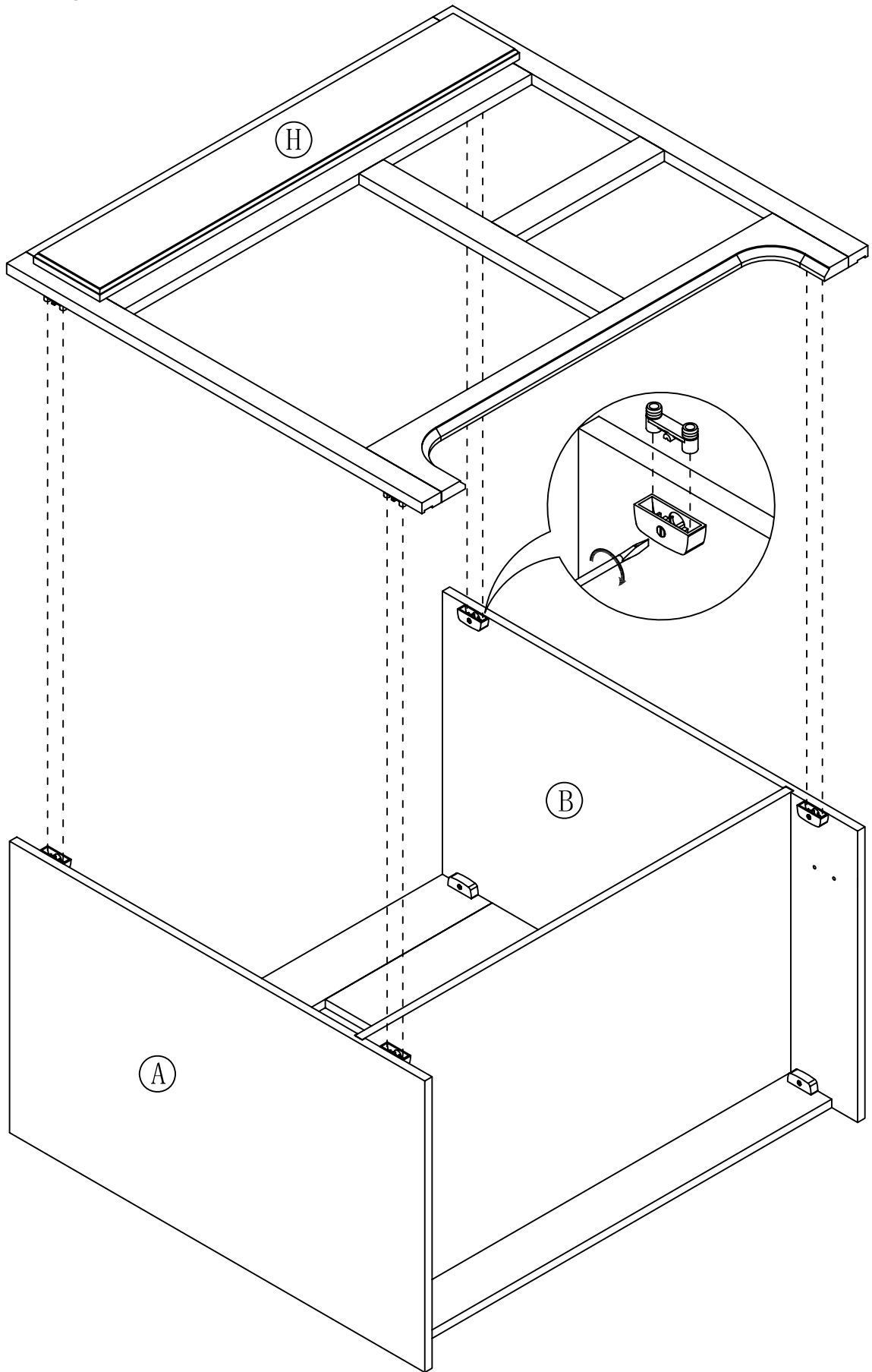
# STEP 3



# STEP 4

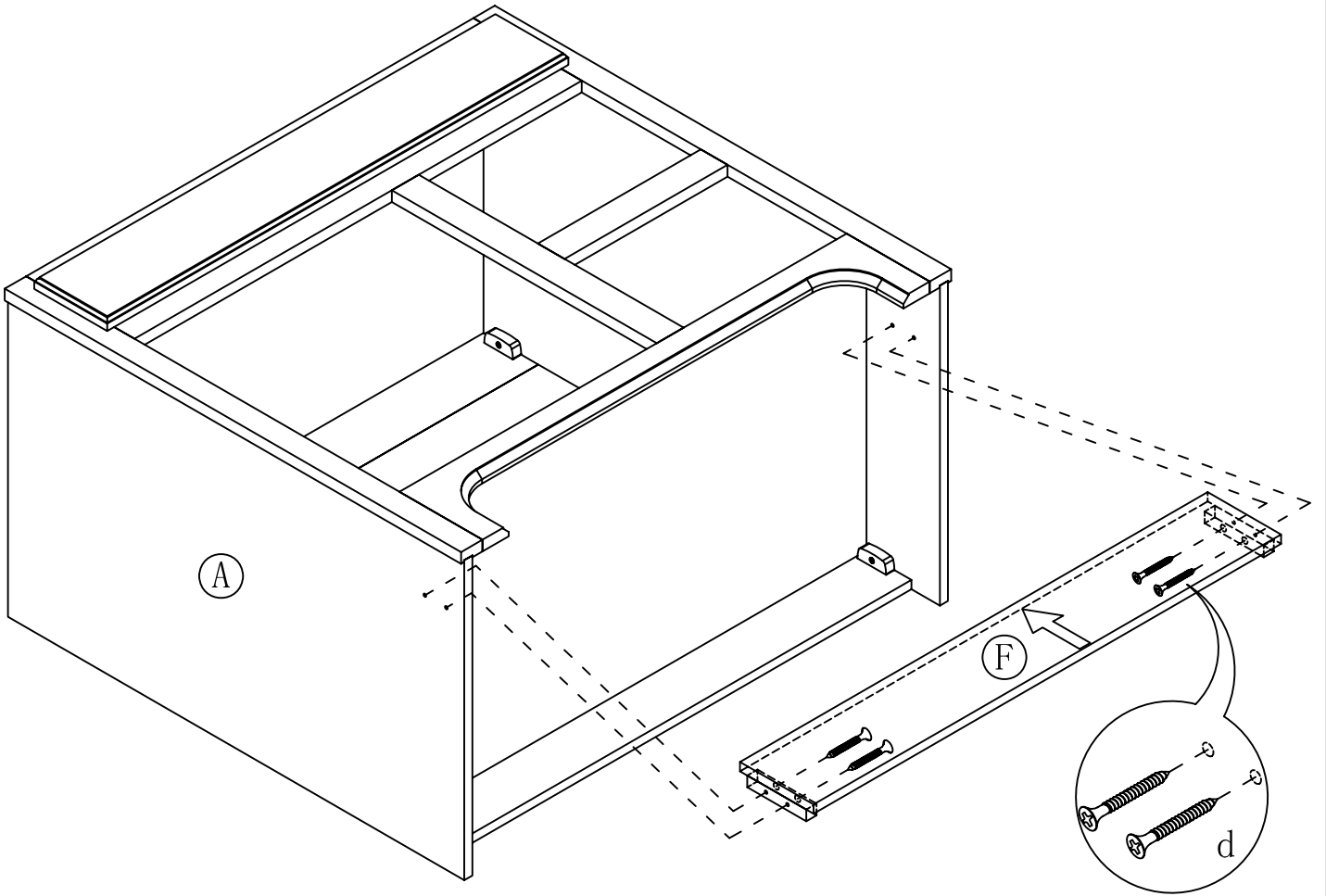


# STEP 5

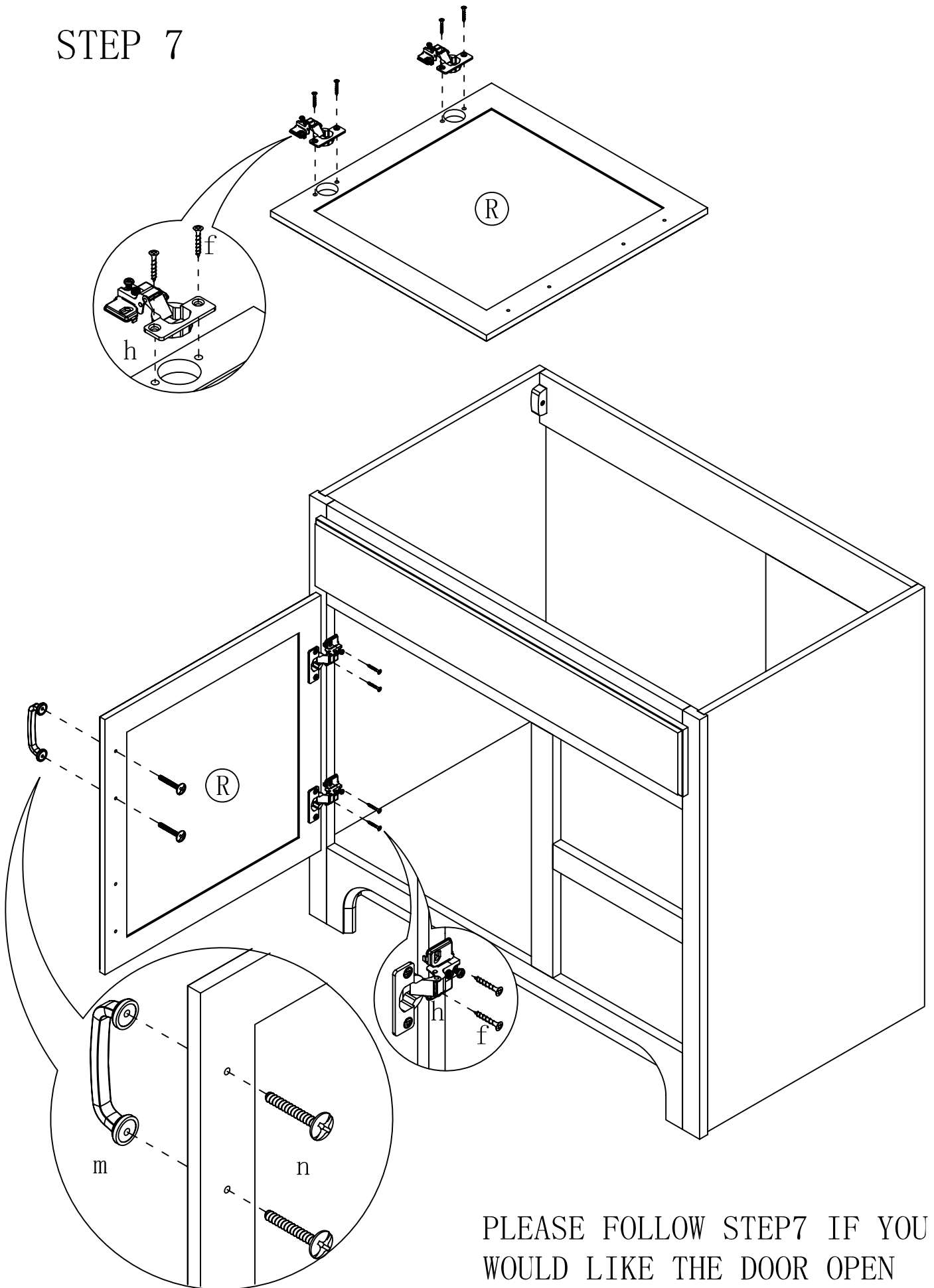




# STEP 6

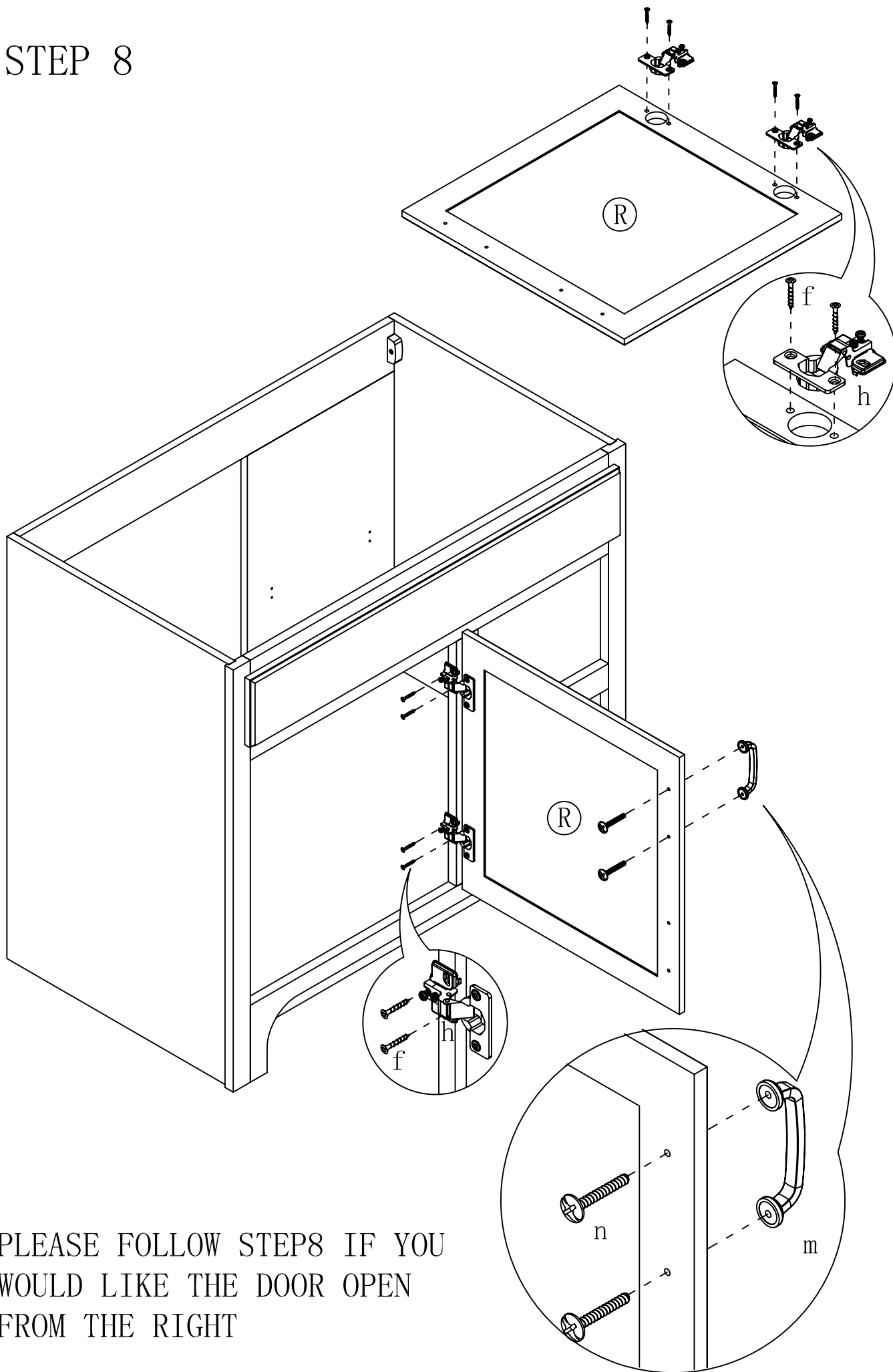


# STEP 7



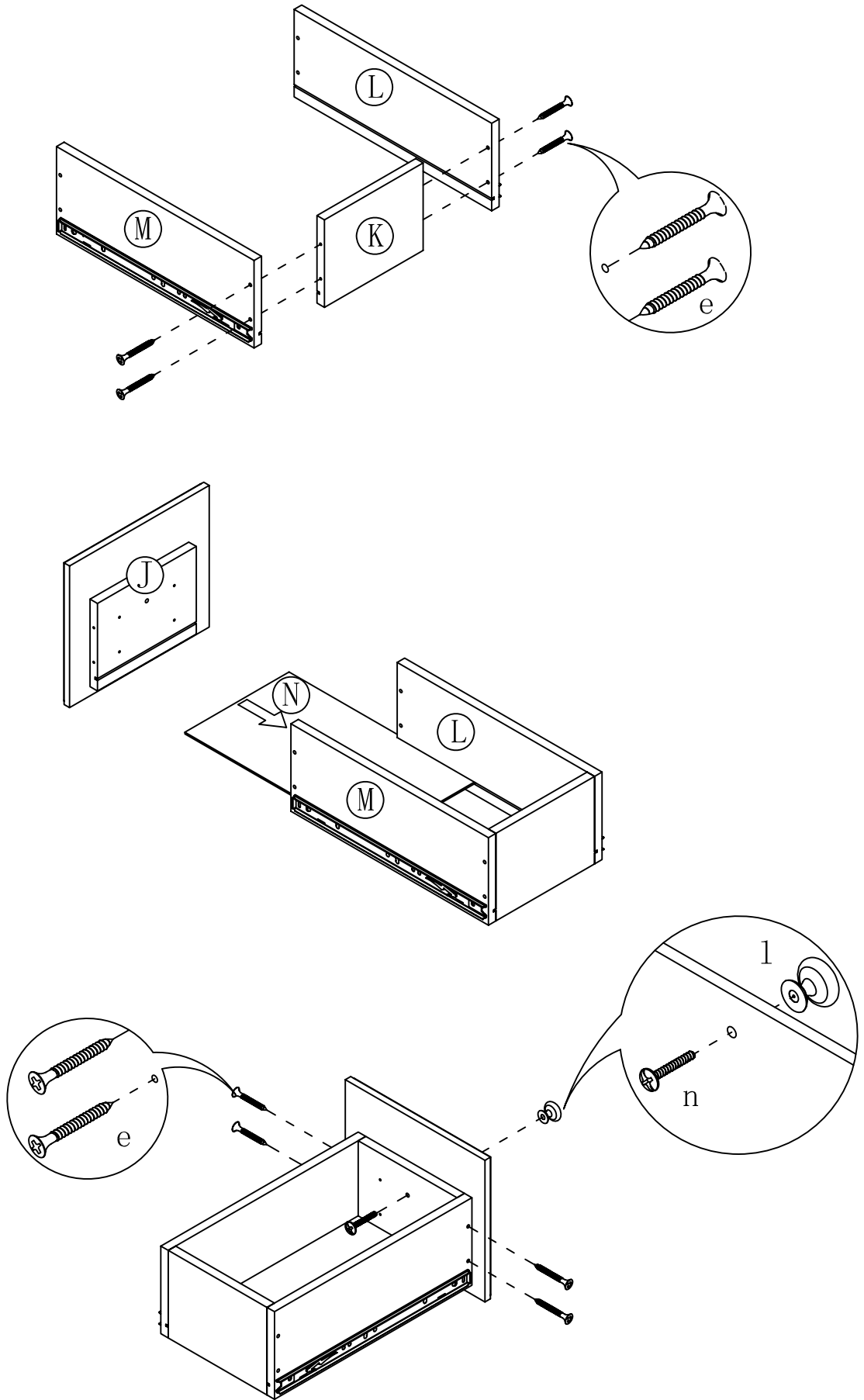
PLEASE FOLLOW STEP7 IF YOU  
WOULD LIKE THE DOOR OPEN  
FROM THE LEFT

# STEP 8

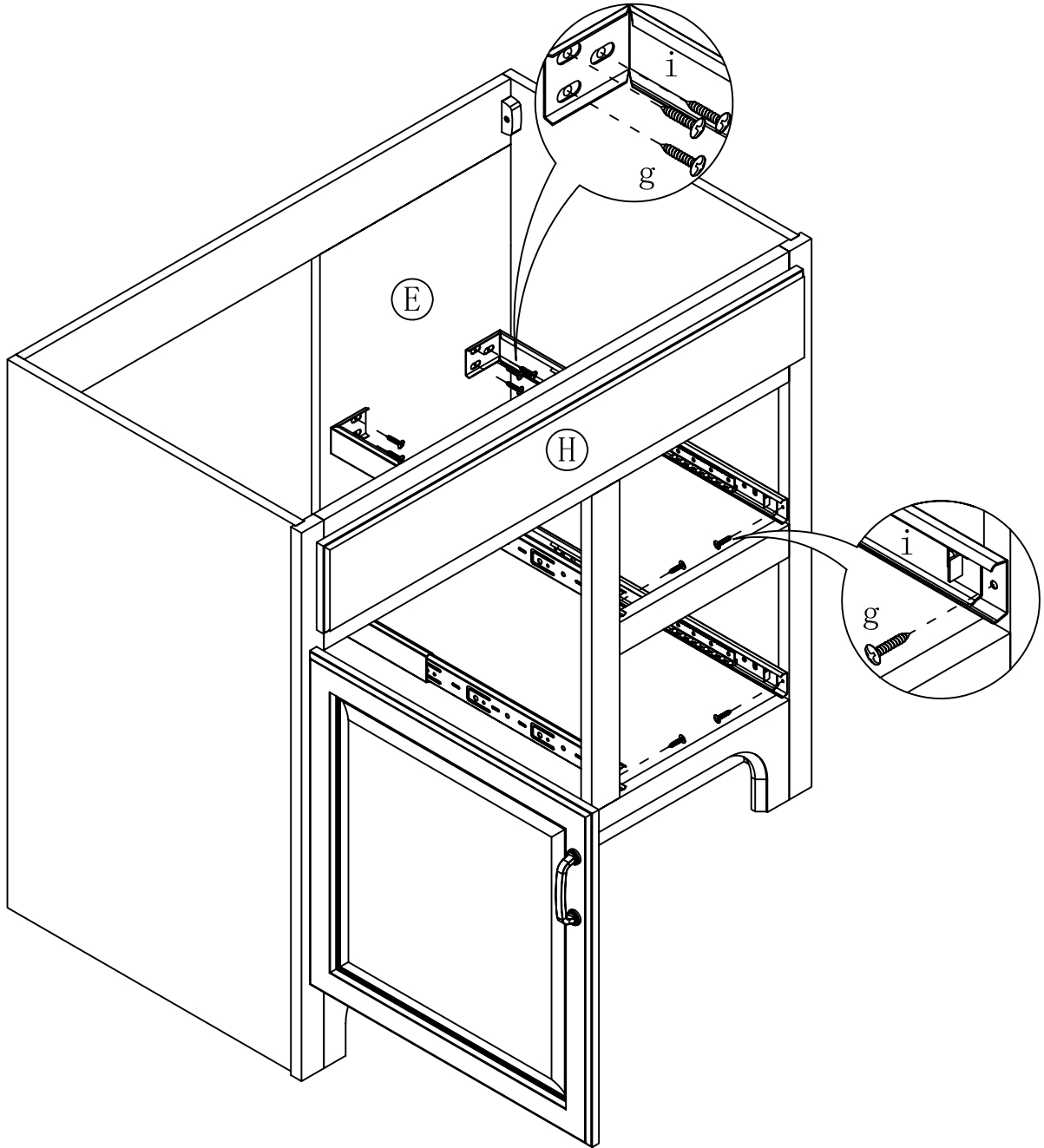


PLEASE FOLLOW STEP8 IF YOU  
WOULD LIKE THE DOOR OPEN  
FROM THE RIGHT

# STEP 9



# STEP 10



# STEP 11

