

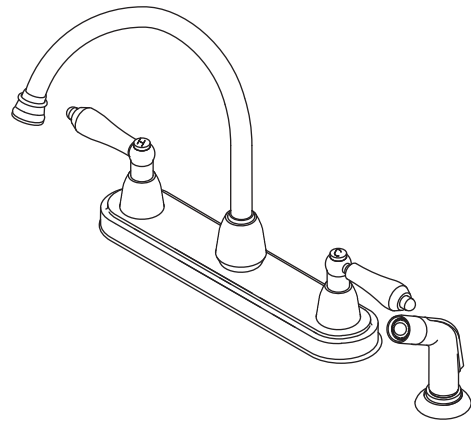


Design House is a registered brand of DHI Corp.

Mequon, WI 53092  
1-800-558-8700

## TWO HANDLE KITCHEN FAUCET

Models 529065, 529107, 529511  
529545, 527119, 527127, 527135  
527366, 527796, 528257, 529032  
529040, 527499, 528059, 528067  
529131



Your new Design House faucet will give you years of trouble free performance. Thank you for choosing our product for your home. **Please read all of these instructions carefully before installing your new faucet.**

### Helpful tools to install this faucet:

- basin wrench
- silicon sealer
- Teflon tape
- flashlight
- (2) crescent wrenches
- faucet supply tubes

### IMPORTANT POINTS

- When installing your new faucet, hand tighten the connector nuts, then use one wrench to anchor the fitting and a second wrench to tighten the nut one additional turn. Connections that are too tight will reduce the integrity of the system.
- Wrap all threaded connections (except aerator thread in spout) with Teflon tape available from your local hardware or plumbing supply store. Always wrap in a counter-clockwise direction.
- If replacing an old faucet: Prior to installation, turn off the cold and hot water lines and open the old faucet to release built up pressure. Then cut both water supply pipes approximately 15" below the bottom of the old faucet taking care that pipes remain circular. Remove burrs or rough edges from cut ends with fine grit sandpaper.

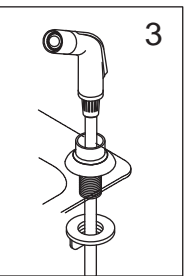
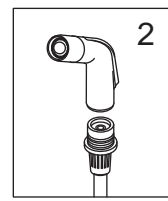
### SAFETY TIPS

- **ALWAYS** protect your eyes with safety glasses when cutting supply lines.

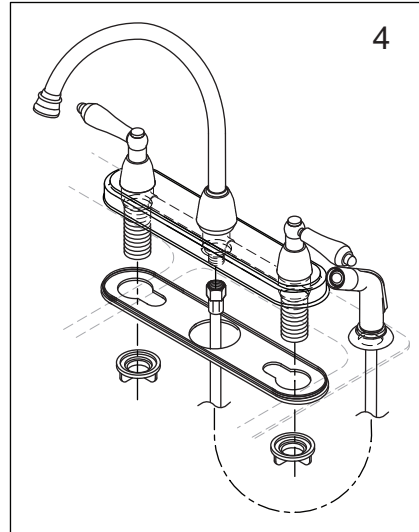
## INSTALLATION PROCEDURE

1. Shut off hot and cold water supplies under sink. Plug sink drain with cloth to avoid losing small parts. Remove old faucet. If faucet has no spray attachment, proceed to STEP 4.

2. Attach sprayer nozzle to spray hose.



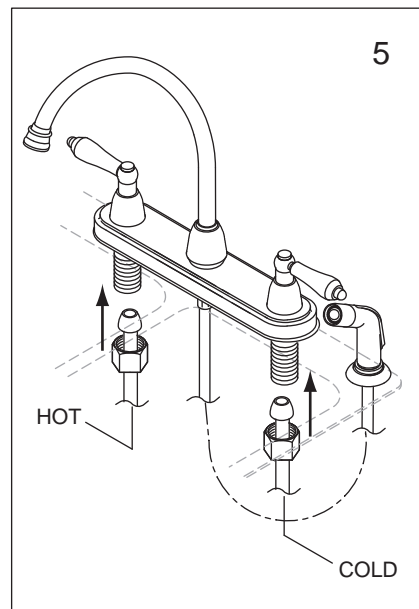
3. Align decorative collar over right hole in sink and place sprayer hose support through collar and right sink hole. Thread wing nut onto threaded shaft from below sink.



4. FIT GASKET TO BOTTOM OF FAUCET BODY BEFORE INSTALLING FAUCET ON SINK.

Install faucet on sink with the C (cold) on the right and the H (hot) to the left. From under sink, thread wing nut to threaded shafts. Hand tighten.

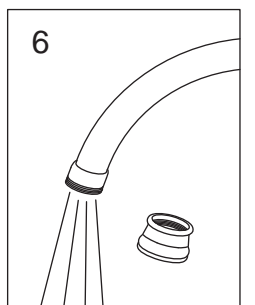
Thread sprayer hose to central threaded shaft.



5. ALWAYS WRAP THREADED ENDS WITH TEFLON TAPE BEFORE CONNECTING WATER LINES.

Insert hose up into faucet line and carefully tighten nut. Use care to not bend hose. Bent hoses void the warranty.

6. Remove aerator and turn on water. Allow both hot and cold water to run for at least one minute to flush system of any loose debris. Replace aerator.



IF YOU NOTICE ANY MINOR LEAKS, TIGHTEN NUTS SLIGHTLY. IF LEAKS PERSIST, REFER TO TROUBLE SHOOTING.

## TROUBLE SHOOTING

**Problem:** Faucet leaks from under handle.

**Cause:** Retainer nut is loose or o-ring on cartridge is dirty or twisted.

**Action:**

1. Move handle to OFF position. Remove the handle by unscrewing handle screw.
2. Tighten the retainer nut by turning it clockwise. Move the cartridge stem to the ON position. The leak should stop around the cartridge stem.
3. If the leak does not stop, shut off the water supply. Remove the retainer nut by turning it counter clockwise. Lift out the cartridge valve. Inspect the o-rings. Clear debris, untwist, or replace if necessary.
4. Replace the cartridge making sure the wings fit well into the cuts in the faucet body. Tightly screw the retainer nut onto the faucet body.
5. Reinstall the handle.

**Problem:** Faucet leaks around aerator or an improper flow pattern.

**Cause:** Aerator incorrectly fitted or dirty.

**Action:**

1. Unscrew the aerator. Make sure all internal parts are laying flat.
2. If there is debris, gently flush all parts inside.
3. Reinstall aerator.

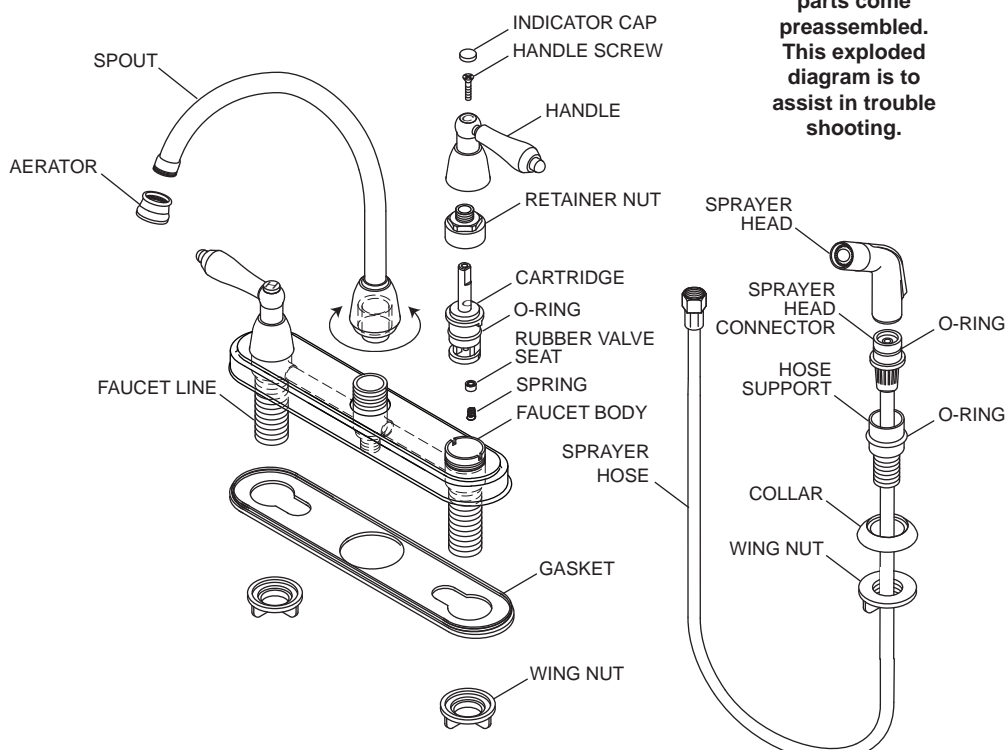
**Problem:** Water does not completely shut off.

**Cause:** Rubber valve seat is dirty, stuck or broken.

**Action:**

1. Determine which side (hot, cold or both) is leaking by shutting off the cold water supply first. If leaking persists, the problem is on the hot side. Shut off the hot water supply to determine if both sides have a problem.
2. Remove the handle on the problem side. Loosen the retainer nut and lift out the cartridge assembly.
3. Inspect the rubber valve seat in the faucet body. Remove any debris. If the rubber seat is stuck tightly in the water hole, push it gently with fingertip so that it moves up and down smoothly. The spring (with smaller end up) must be replaced underneath the valve seat. If the valve seat is worn or broken, replace it.
4. Replace the cartridge making sure the wings fit well into the cuts in the faucet body. Tightly screw the retainer nut onto the faucet body.
5. Reinstall the handle.

Many of these parts come preassembled. This exploded diagram is to assist in trouble shooting.



## TROUBLE SHOOTING

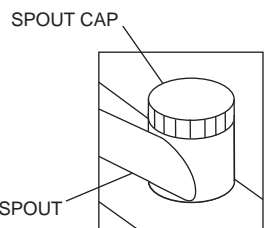
**FOR FAUCETS WITH A SPOUT CAP:**

**Problem:** Leaks from around top cap of spout.

**Cause:** O-ring is incorrectly fitted, damaged or broken.

**Action:**

1. Tighten cap.
2. If the leak persists, remove cap. Inspect the rubber packing inside of cap. Smooth out with fingers and thread the cap.
3. If the leak persists, unscrew the cap of the spout.
4. Remove spout and smooth out the twisted o-ring, or replace it if it is damaged.
5. Reinstall the spout and firmly screw the spout cap back on.



## MAINTENANCE

Your new Design House faucet is designed to give you years of trouble free performance. Keep it looking new by cleaning it periodically with a soft cloth. Avoid abrasive cleaners, steel wool and harsh chemicals that will dull the finish and void your warranty.

Brass finishes are polished, then protected with a lacquer coating to help prevent tarnishing. Clean these surfaces only with a damp, soft cloth.

### CONSUMER PROTECTION WARNING

Under the Safe Drinking Water Act, the U.S. Environmental Protection Agency restricts the amount of lead used in brass and solder. Your new faucet is made in strict compliance with all government standards. The materials used in the manufacture of this faucet are of industry standard quality and are similar to other plumbing products having brass fittings.

To reduce the amount of lead in your drinking water, allow the water to run for a moment before filling your glass and remember to always use cold water for drinking purposes.

