

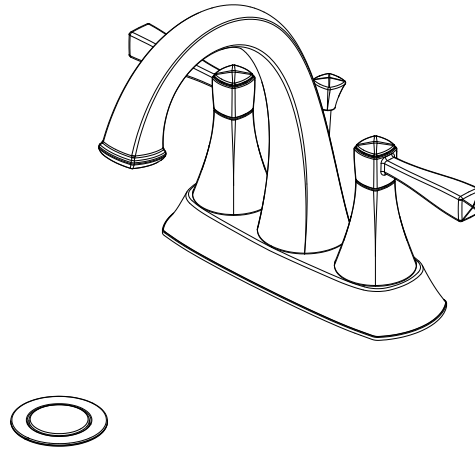


Design House is a registered brand of DHI Corp.

Mequon, WI 53092
1-800-558-8700

PERTH TWO HANDLE LAVATORY FAUCET

Models 546929



Your new Design House faucet will give you years of trouble free performance. Thank you for choosing our product for your home. **Please read all of these instructions carefully before installing your new faucet.**

Helpful tools to install this faucet:

- basin wrench
- Teflon tape
- (2) crescent wrenches
- silicon sealer
- flashlight
- faucet supply tubes

IMPORTANT POINTS

- When installing your new faucet, hand tighten the connector nuts, then use one wrench to anchor the fitting and a second wrench to tighten the nut one additional turn. Connections that are too tight will reduce the integrity of the system.
- Wrap threaded connections (except aerator thread in spout or where o-ring or rubber sealant are present) with Teflon tape available from your local hardware or plumbing supply store. Always wrap in a clockwise direction.

SAFETY TIPS

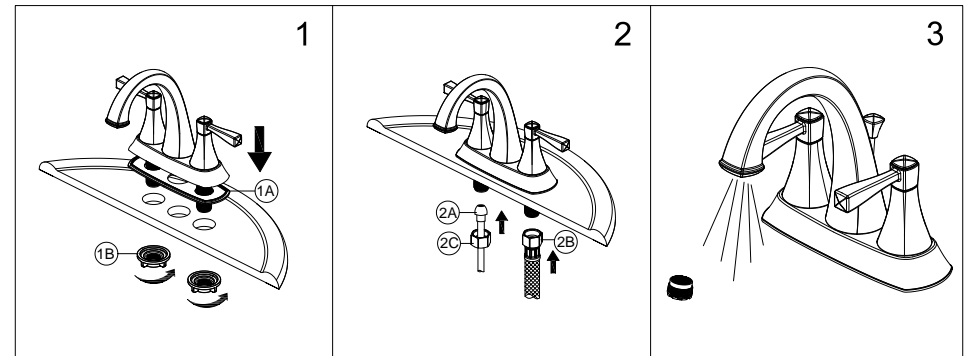
- **ALWAYS** protect your eyes with safety glasses.

INSTALLATION PROCEDURE

1. Shut off water supplies. Remove the old faucet. Place the gasket (1A) onto the bottom of the new faucet assembly. Place the faucet assembly through the mounting holes in sink. Secure the faucet assembly to sink using the mounting nuts (1B) provided.
Note: If the sink is uneven, use silicone under the gasket (1A).

2. Making the waterline connections: Use 1/2 in. I.P.S. faucet connections (2B, not included), or use the coupling nuts (2C, not included) with a 3/8 in. O.D. ball-nose riser (2A, not included). Use wrenches when tightening. Do not overtighten.

3. **IMPORTANT:** After installation is complete, remove the aerator to flush the water lines. Turn on the water supply and allow both hot and cold water to run for at least one minute each. This flushes away any debris that could cause damage to internal parts. While the water is running, check for leaks. Turn off the water and replace the aerator.



MAINTENANCE

Your new Design House faucet is designed to give you years of trouble free performance. Avoid abrasive cleaners, steel wool and harsh chemicals that will dull the finish and void your warranty.

Brass finishes are polished, then protected with a PVD or a lacquer coating to help prevent tarnishing. Clean these surfaces only with a damp, soft cloth.

Keep it looking like new by cleaning it periodically with a mild solution of soapy water. Rinse thoroughly and then dry with a soft cloth.

CONSUMER PROTECTION WARNING

Under the Safe Drinking Water Act, the U.S. Environmental Protection Agency restricts the amount of lead used in brass and solder. Your new faucet is made in strict compliance with all government standards. The materials used in the manufacture of this faucet are of industry standard quality and are similar to other plumbing products having brass fittings.

To reduce the amount of lead in your drinking water, allow the water to run for a moment before filling your glass and remember to always use cold water for drinking purposes.

TROUBLE SHOOTING

o 546929 - Satin Nickel

Problem: Faucet leaks from under handle.

Cause: Bonnet is loose or o-ring on cartridge is dirty or twisted.

Action:

1. Move handle to OFF position. Remove the index and unscrew the screw and set screw on handle, then remove the handle.
2. Tighten the bonnet by turning it clockwise. Move the cartridge stem to the ON position. The leak should stop around the cartridge stem.
3. If the leak does not stop, shut off the water supply. Remove the bonnet by turning it counter-clockwise. Lift cartridge off body and remove cartridge seal. Clean cartridge ports and cartridge seal. Place cartridge seal into cartridge ports or replace if necessary.
4. Replace the cartridge making sure the wings fit well into the cuts in the faucet body. Tightly screw the bonnet onto the faucet body.
5. Reinstall the handle.

Problem: Faucet leaks around aerator or an improper flow pattern.

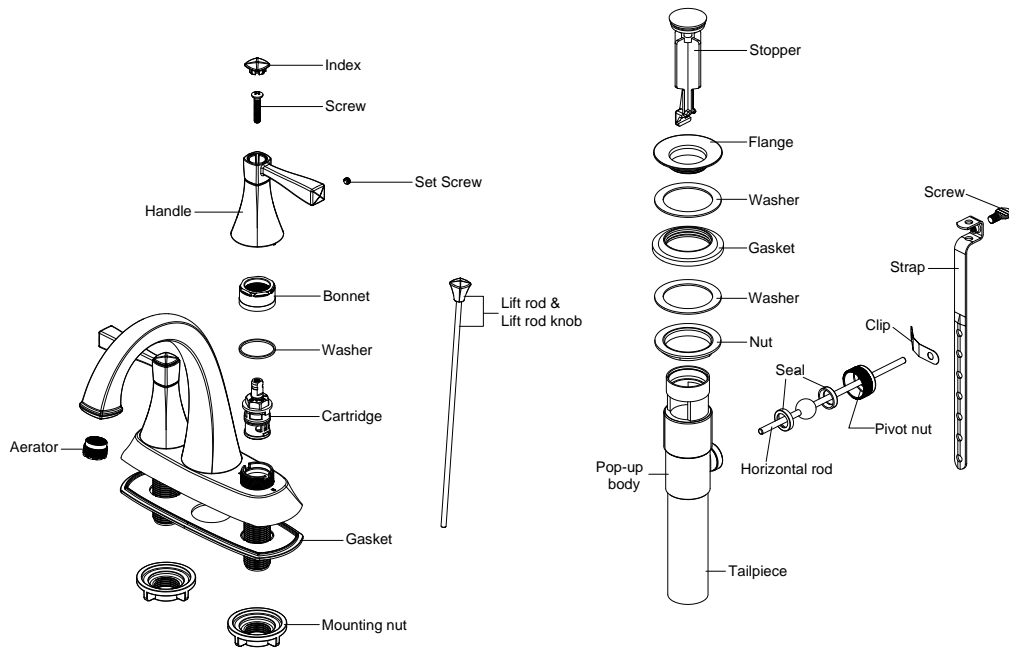
Cause: Aerator is incorrectly fitted or is dirty.

Action:

1. Unscrew the aerator.
2. If there is debris, gently flush the aerator.
3. Reinstall the aerator.

Many of these parts come preassembled. This exploded diagram is to assist in trouble shooting.

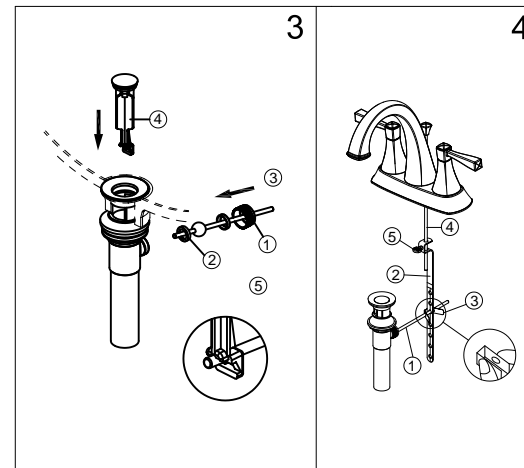
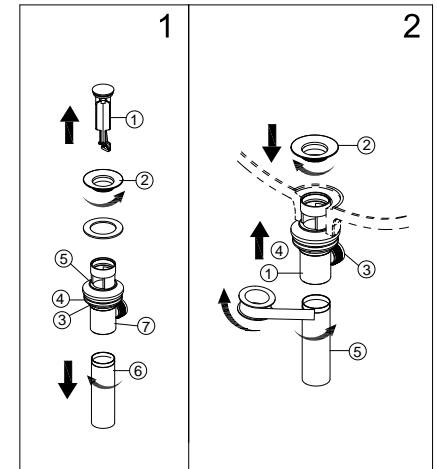
POP-UP INSTALLATION EXPLODED PARTS



POP-UP INSTALLATION PROCEDURE

1. Remove the stopper (1) and the flange (2). Screw the brass nut (3) all the way down. Push the plastic washer (4) and the gasket (5) down. Unscrew the tailpiece (6) from the pop-up body (7).

2. Apply the silicone to the underside of the flange (2). Insert the pop-up body (1) into the drain hole from below sink. Screw the flange (2) into the pop-up body (1). With the pivot hole (3) facing toward faucet, Use groove joint pliers to tighten the nut (4), do not over tighten. Do not turn the pop-up while tightening the nut, or sealant may not seal drain. Clean excess putty. Apply thread sealant tape to the top threads of the tailpiece (5) in a clockwise direction, as shown and hand tighten.



3. Remove the pivot nut (1). Retain the seal (2) on the horizontal rod (3). Install the horizontal rod (3) and the stopper (4) as shown (5). Hand tighten the pivot nut (1).

4. Attach the horizontal rod (1) to the strap (2) using the clip (3). Insert the lift rod (4) into the strap (2) and tighten the screw (5).