

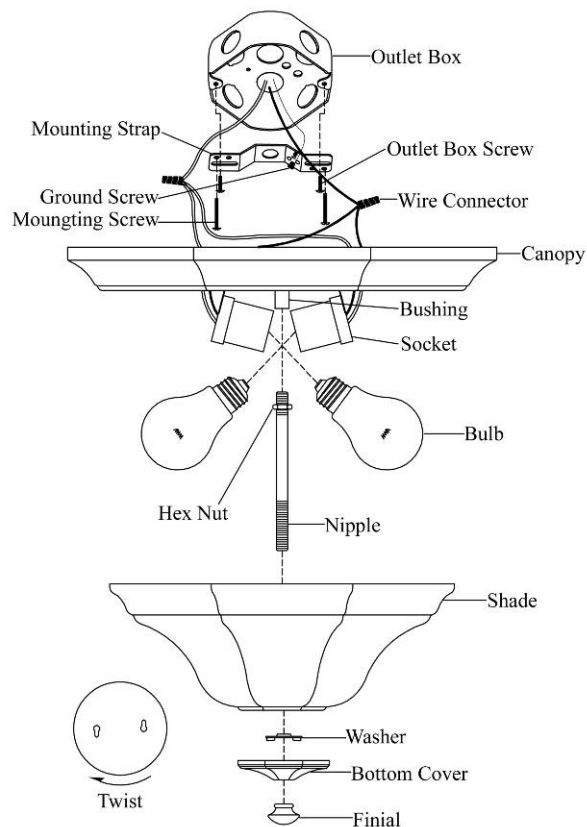
# ASSEMBLY INSTRUCTION

## SKU#517953

**NOTE:** Please consult a qualified electrician if you are not certain of installation.

**CAUTION:** Before starting installation or service, disconnect power by turning off the circuit breaker or by removing the fuse at the fuse box.

1. Carefully unpack the fixture, lay out all parts on a clean surface.
2. Tighten the longer mounting screws into mounting holes on mounting strap (to be fully tightened later).
3. Attach the mounting strap to outlet box using the outlet box screws provided.
4. Connect black wires from fixture to black wire (live wire) from supply circuit. Connect white wires from fixture to white wire (neutral wire) from supply circuit. Connect ground wire from fixture to ground wire from supply circuit. Cover the connections using the provided wire connectors. Position wires back inside outlet box.
5. Place the canopy over outlet box. Allow the heads of mounting screws come out through the large ends of keyholes. Twist the canopy until the heads of mounting screws slide into narrow ends of keyholes. Tighten mounting screws to secure the canopy.
6. Install the bulbs (not included).
7. Unscrew the finial from nipple. Then tighten the nipple into the bushing using hex nut.
8. Place shade, washer and bottom cover over the nipple & screw the finial onto the nipple until the shade is held firmly to the fixture.
9. Reconnect the power.



**dh**  
**DESIGNHOUSE**