

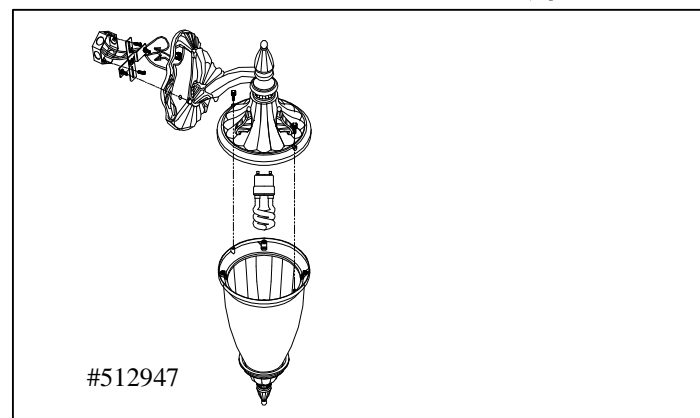
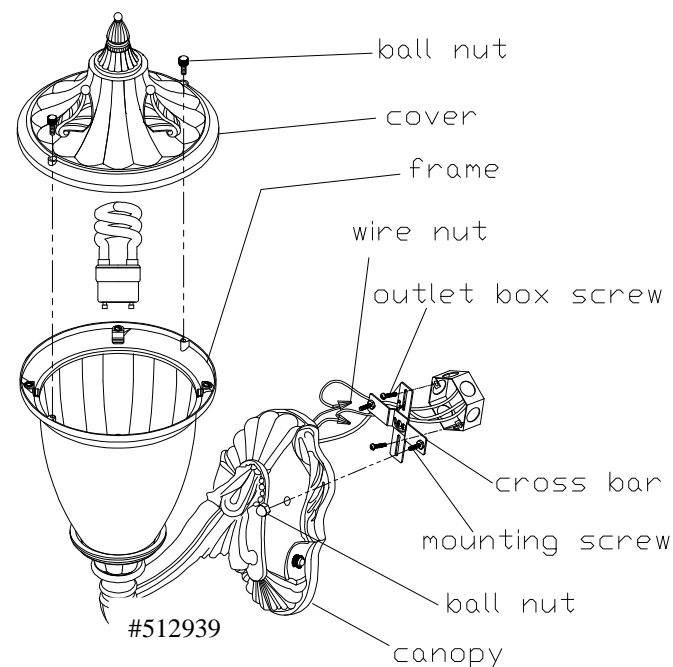
DESIGNHOUSE  **WHITFIELD FLUORESCENT OUTDOOR WALL LIGHT**
ASSEMBLY / INSTALLATION INSTRUCTIONS

Note:

1. The light bulb minimum starting temperature is -18 degrees.
2. The product contains mercury. Please refer to www.epa.gov/bulb recycling for the information for proper disposal options.
3. The product has a photocell switch that turns on at dusk and off at dawn automatically.
4. For fixtures labeled for outdoor and wet location use, please provide a water-tight seal between the fixture and the wall surface by using silicone caulk.
5. Turn off power at fuse box before installing or service the fixture.

Installation steps:

1. Fasten the cross bar to the outlet box with the outlet box screws, then adjust to the length of the mounting screw on the cross bar by screwing the hex nut.
2. Make wire connection with wire nut :
 - black fixture wire to live wire from supply.
 - white fixture wire to neutral wire from supply.
 - fixture ground wire to ground wire from supply, or attach the fixture ground wire to the cross bar with green screw, then connect it to ground wire from supply.
 Carefully tuck wires and wire nuts into the outlet box.
3. Attach the canopy to the cross bar with ball nut.
4. Install the bulb to the socket of fixture (do not exceed maximum wattage which is recommended on the label).
5. Attach the cover to the frame with the ball nut.
6. Turn on power at fuse box.



**IF IN DOUBT ABOUT ELECTRICAL INSTALLATION,
 CONSULT A LICENSED ELECTRICIAN.**

**Customer Service:
 1-800-558-8700**